

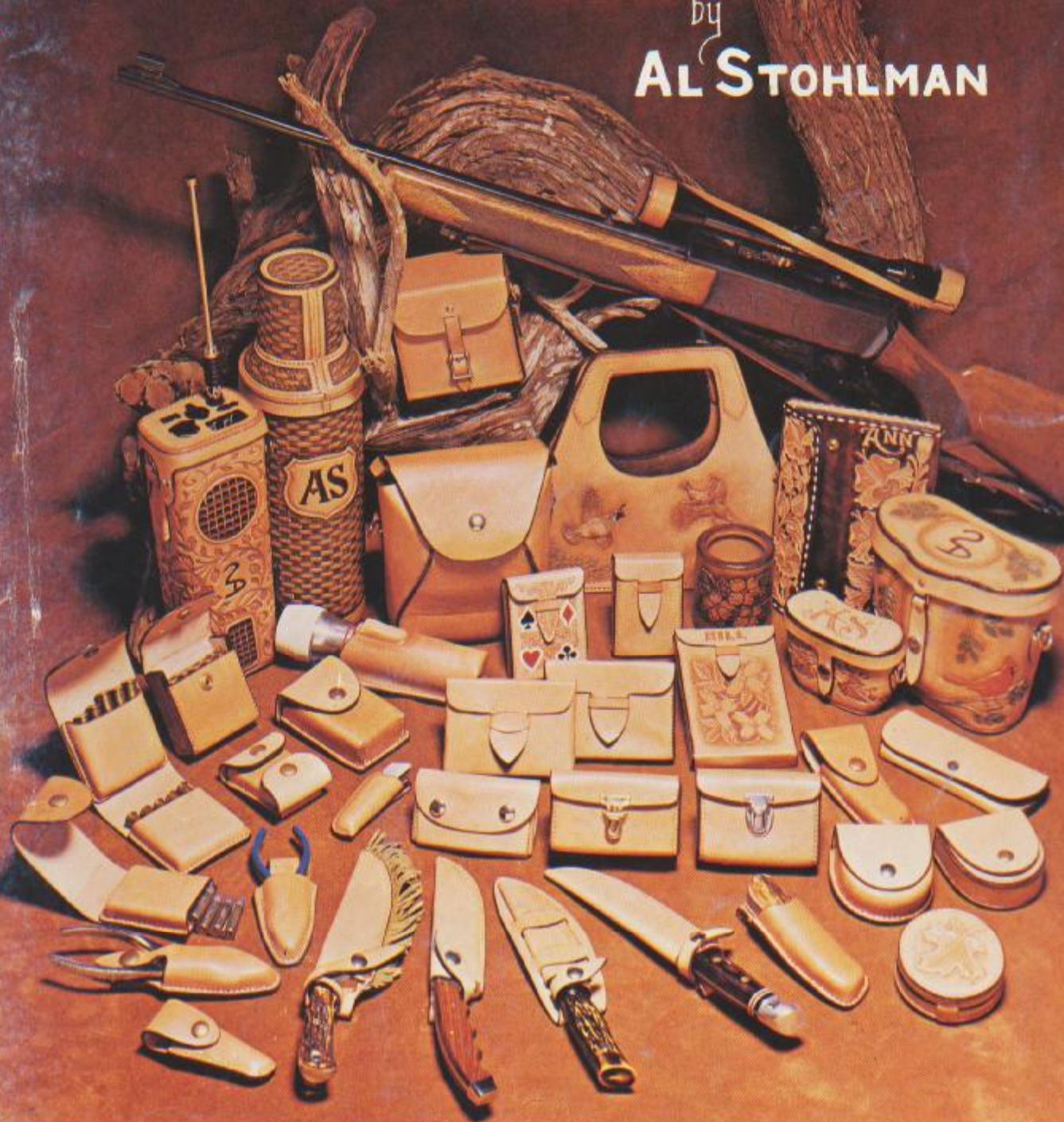
The ART of  
Making

Volume ONE

#61941-01

# LEATHER CASES

by  
AL STOHLMAN



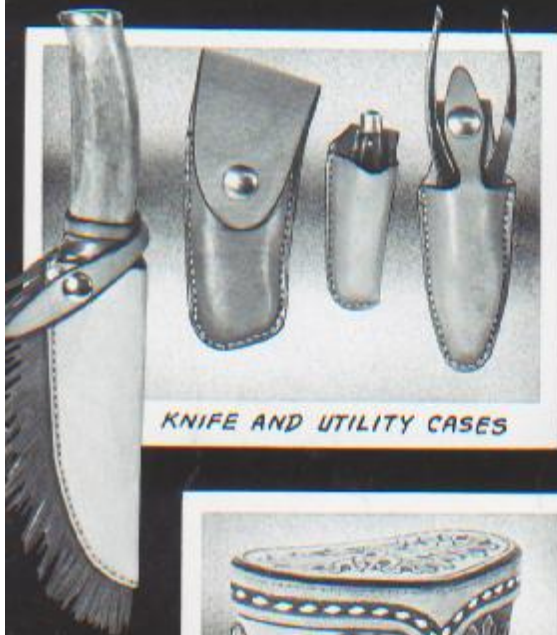
**A FEW OF THE CASES  
FEATURED IN THIS BOOK**  
COMPLETE INDEX ON PAGE 121



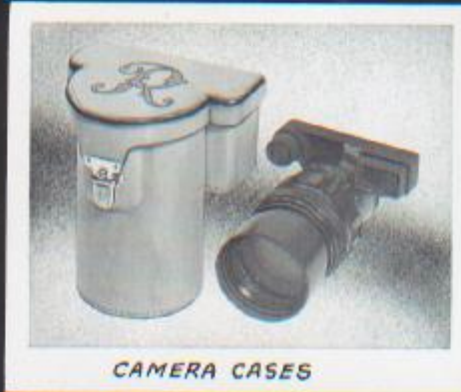
**CIGAR, CIGARETTE AND CARD CASES**



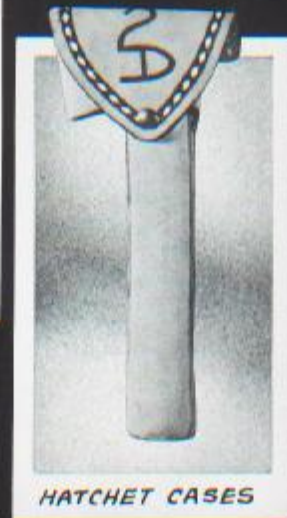
**CARTRIDGE CASES**



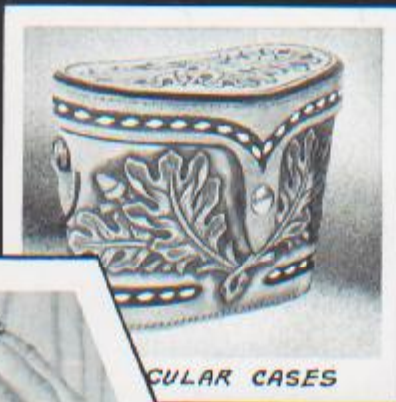
**KNIFE AND UTILITY CASES**



**CAMERA CASES**



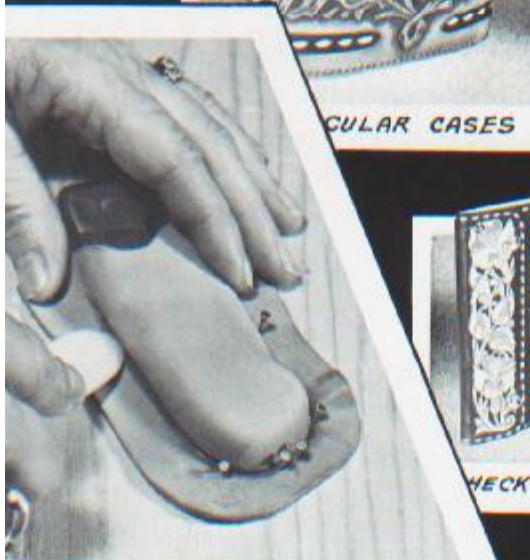
**HATCHET CASES**



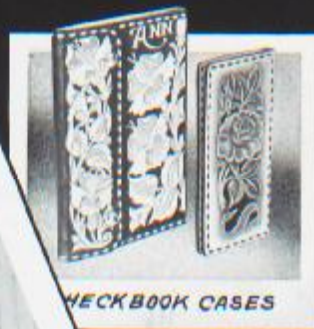
**EYEGLASS CASES**



**EYEGLASS CASES**



**FORMING LEATHER CASES  
STEP-BY-STEP INSTRUCTIONS**



**CHECKBOOK CASES**



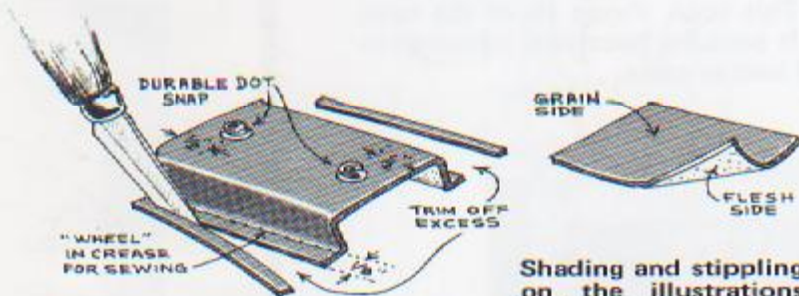
**C. B. CASE**



**TUBULAR CASES**

The ART of  
*Making*  
**LEATHER CASES** ..... Volume I  
 by  
**AL STOHLMAN**

This Volume introduces you to the various methods of making patterns and the many techniques of forming leathers over wooden forms and odd shaped articles. Obviously, we cannot include a case for every object made within the pages of this volume. We have tried to select a wide variety of items of different shapes and sizes to include as many construction techniques as possible.



Be sure to read the text accompanying each sketch.

Shading and stippling on the illustrations indicate grain and flesh sides of the leather.

When reading the text, accompanying each illustration, be sure to observe the many notations on the sketch. To conserve space, we try to get as much instructional information on each page as possible. The shading (and stippling) on the sketches indicate the grain and flesh sides of the leather. Establish this in your mind so that when viewing the sketches, you can tell at a glance which is the grain side, or flesh side of the leather.

TO FOLLOW VOLUME I

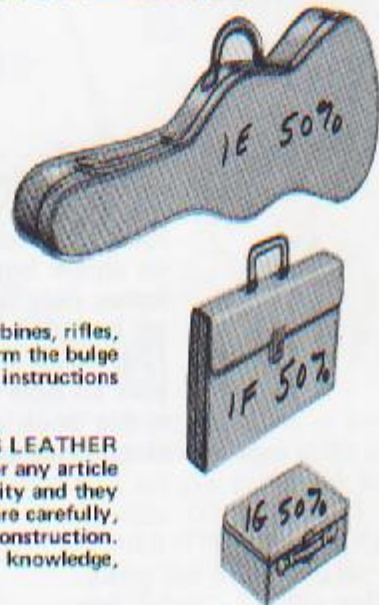


The ART of  
*Making*  
**LEATHER CASES** ..... Volume II  
 by  
**AL STOHLMAN**

This will be a continuation of VOLUME I. It will begin with the making of leather handles. There will be at least eighteen styles. VOLUME II will also feature much zipper information: How to install zippers in various cases, how to shorten zippers, and how to "make" your own zipper from zipper stock. VOLUME II will also furnish patterns and construction techniques for: Box type cases, Toiletry, Travel, Knitting, Guitar, Brief cases, and many more.

A THIRD VOLUME will be required to show how to make various cases for carbines, rifles, cases for break-down shotguns, etc. Special techniques will illustrate how to form the bulge in a single piece of heavy leather for the scope-mounted rifle cases. Additional instructions will be included for attaching rifle cases to your saddle.

These will be the most complete books ever published on the ART of MAKING LEATHER CASES. The knowledge presented should enable you to make a leather case for any article you wish to carry or protect. You will learn to properly make cases for durability and they will be professional in construction and appearance. The step-by-step drawings are carefully, and painstakingly drawn by the author to clearly illustrate each stage of construction. Hopefully, this will leave no questions un-answered, increase your leathercraft knowledge, and make your leatherwork more profitable and enjoyable.



The ART of  
*Making*  
**LEATHER CASES** ..... Volume I  
by  
AL STOHLMAN

All of the projects shown in this book are completely sewn by hand (with the exception of three. One; laced. Two; by buckstitching) using the methods and techniques shown in the book pictured below. This book shows all of the tools required for hand sewing. It contains necessary information for the successful making of leather cases.



Therefore, . . .to avoid duplication and the unnecessary addition of pages, we refer you to this book where a leather case is to be sewn. We will indicate the type of joint to be sewn, and the page No. of this book on which the stitching instructions are shown. We will designate the above book with the letters: HS. Thus, as an example, when a leather case is to be sewn with a "miter joint" our instructional copy will include: (see HS page 22). This simply means that on page 22 of "The ART of HAND SEWING Leather", complete instructions are given on how to sew the miter joint. This will eliminate excessive copy in this book and enable us to devote more space for comprehensive illustrations and instructions on the making of LEATHER CASES.

Copyright 1979, Tandy Leather Co., Fort Worth, Texas

## INTRODUCTION

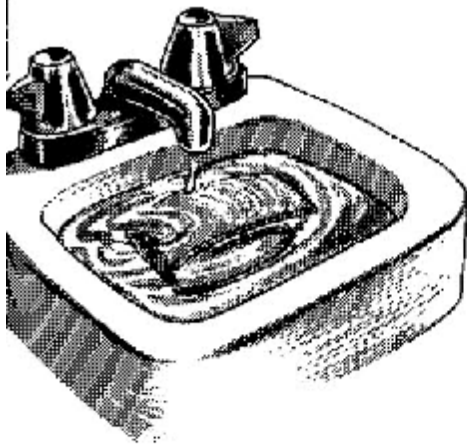
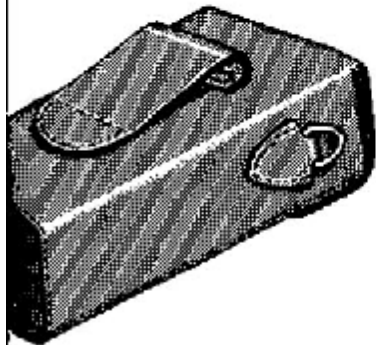
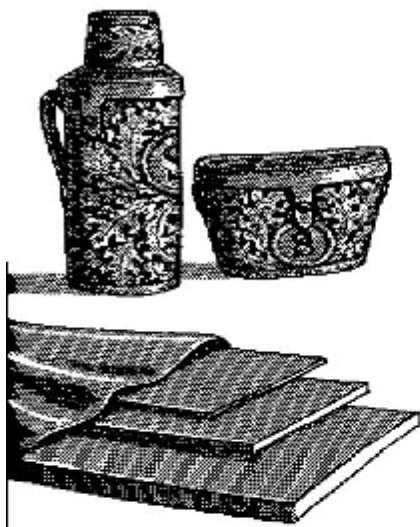
We will not go into the history of making leather cases. . .you can get this information from encyclopedias. Our purpose, here, is to teach you how to make a leather case for almost any article you wish to carry or protect. Full size cutting patterns are given where practical, and suggestions for altering patterns to fit a larger, smaller, or similar item will be indicated.

**LEATHER:** The weight (thickness) of leather, is measured in ounces. 1 oz. leather is equal to  $1/64$ " in thickness. 4 oz. leather equals  $1/16$ " in thickness. 8 oz. leather equals  $1/8$ " in thickness. Therefore, when an article calls for 6 oz. leather it should be about  $3/32$ " in thickness. The designation: 7-8 oz. means the leather can be slightly less than, and up to,  $1/8$ " in thickness. The weights (ounces) and types of different leathers are important in the construction of leather cases. This is largely determined by the purpose of the case. Cases receiving rough abuse and stress, naturally should have heavier and firmer leathers in their construction. Certain types of sewing stitches and construction details will also increase their life and usefulness. We will endeavor to clearly illustrate all of these, with the projects shown.

**ATTACHMENTS:** Also, of great importance, is the proper attachment of handles, strap carriers, buckles, loops, etc. These items, poorly assembled, can lead to an early break-down of an otherwise useful and attractive case. We will show you various methods, and why and where they should be used.

**CASING THE LEATHER:** Proper "casing" (moisture content) of leathers (such as vegetable tanned, used in carving and stamping designs) to be shaped over an article, or wood form, is very important. The leather should be thoroughly immersed in water until the air bubbles stop rising. This can be from 10 minutes to an hour or more. You cannot get it too wet! It is then enclosed in a plastic bag (or air-tight container) for a few hours, or overnight, so that it "sweats" and the moisture thoroughly saturates all of the leather fibers. Before using, it must then be removed from the bag and placed on the bench (grain side up) so that most of the surface moisture can evaporate. Through experience only, you will learn when it is "just right" for forming . . .as it will stretch and compress easily. . .much as modeling clay.

**HAND SHOE TACKS:** Throughout this book we show how tacks are used to hold parts of the case together, to aid in sewing the joints. These tacks should be available in most shoe-findings stores or saddlery supply outlets. Any small tack will suffice. Any metal (other than brass, copper, silver, etc.) will leave a dark stain on damp leather due to chemical reaction. This will be of no concern if the tacks are placed in the sewing channels, as the stitching will cover the marks (see page 20). This can be totally eliminated by coating the tacks with metal lacquer or shellac.



HAND SHOE TACK



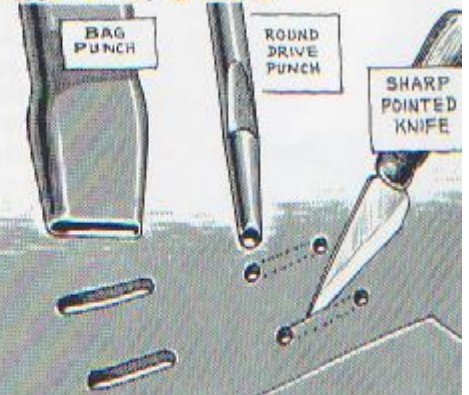
ACTUAL SIZE

It is our hope that the knowledge and instructions presented in this book will enable you to successfully make leather cases that are both useful and attractive. . .be it for fun, personal satisfaction, or profit. Join me, then, in **MAKING LEATHER CASES.**

## METHODS of CONTAINING STRAPS on CASES

A simple method of containing straps, on cases, is shown at left. Cut the slots about 1/8" longer than the width of the strap. The strap simply threads through the slots.

Punch out the slots with a proper size bag punch. Or, punch holes and cut out the slot between them as shown at right.

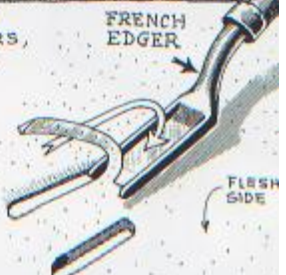


### Caution...

WHEN CUTTING OUT THE SLOT, ALWAYS MAKE CUTS AWAY FROM HOLES, AS SHOWN BY ARROWS.

### TIP:

ON HEAVY LEATHERS, USE THE FRENCH EDGE TOOL TO SKIVE AROUND THE SLOT EDGE TO REDUCE THICKNESS. LOOP STRAPS WILL PULL DOWN TIGHTER; LAY FLATTER. ALWAYS SKIVE ON FLESH SIDE!



Other methods of containing leather straps are shown below. The loop (keeper) strips are usually cut of lighter weight leather, and narrower, than the strap to be contained. It is good practice to cut a long strip of "loop-stock" when several loops are required. You can then edge and burnish the total length of the strip much easier and faster than short pieces. Then, you simply cut off the length of loops as required.

### ALTERNATE METHODS ... USING LEATHER LOOPS

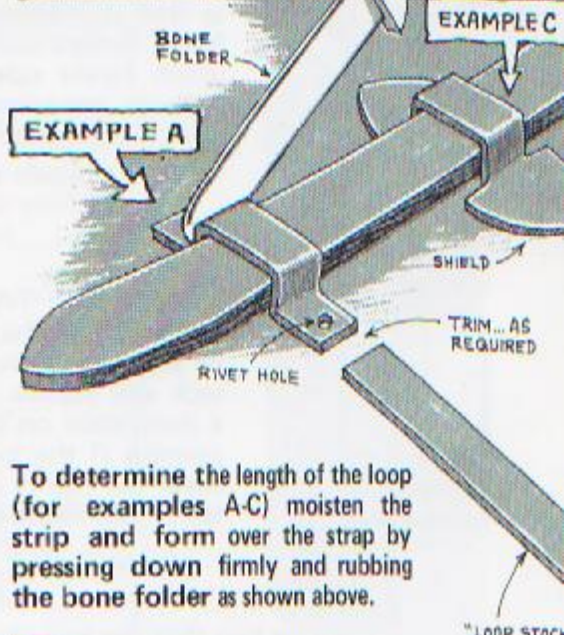
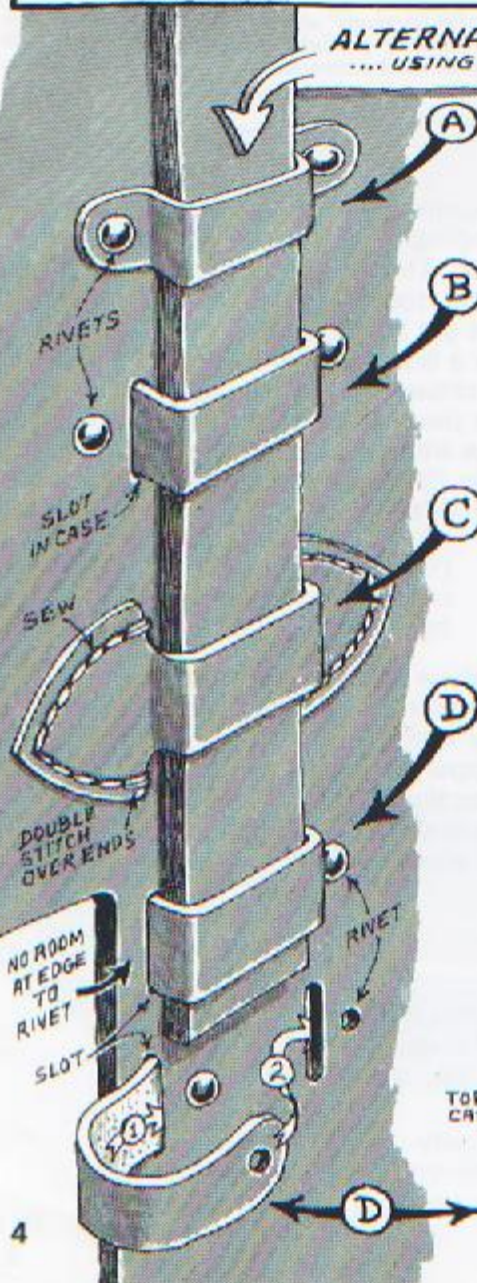
**A** Loop is riveted to outside of case. This is a poor method if much outward strain is applied to the loop.

**B** Slots are cut in the case (same width as loop). Loop ends enter slots; spread outward and rivet to case. Will withstand much strain.

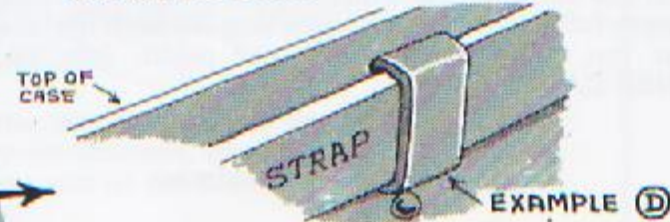
**C** Shield-shaped decorative loop ends sewn to case. Is strong and enhances general appearance of the case.

**D** This method can be used close to edge of case where there is no room for rivet. End (1) goes in slot and rivets to case. End (2) goes into opposite slot and rivets.

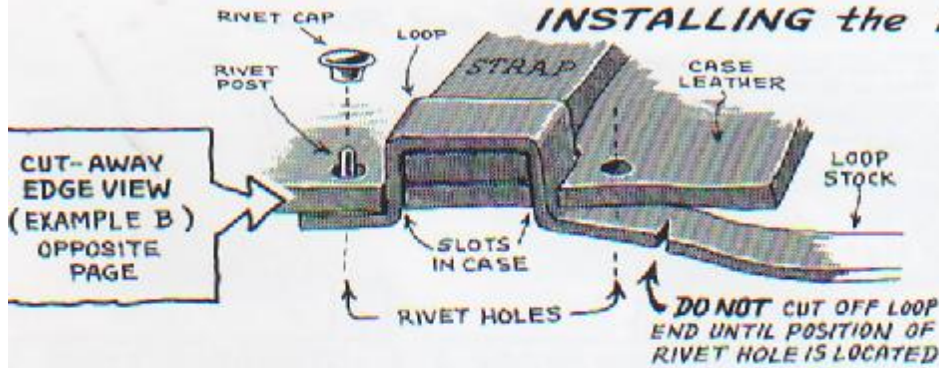
This is good to use when the strap runs horizontally, and the case weight is pulling on end (1), see below.



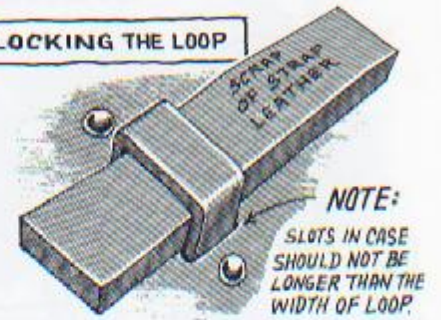
To determine the length of the loop (for examples A-C) moisten the strip and form over the strap by pressing down firmly and rubbing the bone folder as shown above.



## INSTALLING the LOOPS

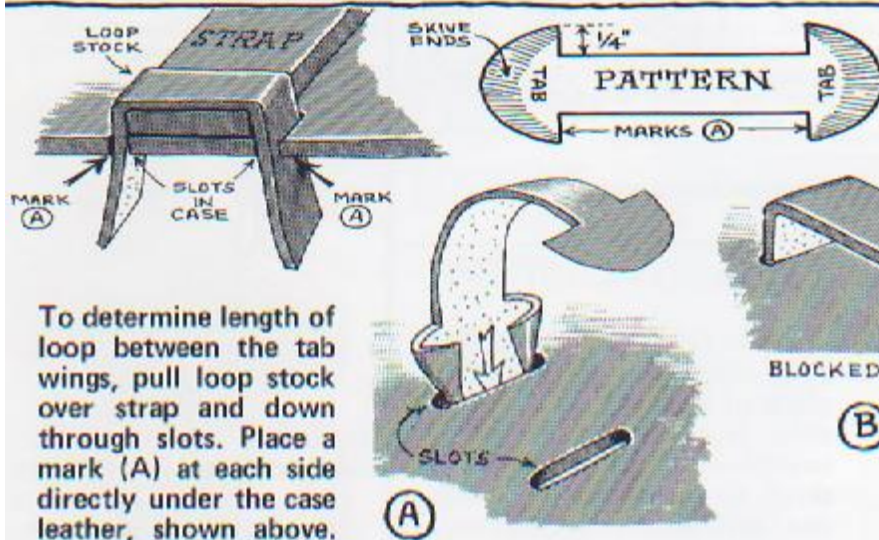


### BLOCKING THE LOOP



To determine the length of the loop that goes through the slots (example B-opposite page) moisten loop-stock; punch rivet hole in one end. Push it into one slot and insert rivet post in hole and through hole in case to hold the end. Place strap in position, fold loop-stock over strap and down through next slot. Pull down snug. Mark position of opposite rivet hole with pencil or awl. Punch hole; cut off loop end. Rivet both ends in place.

To "block" (shape) the loop, insert a scrap of leather of the same thickness and width as the strap to be used. Tap with a hammer to "square-up". Allow to dry before removing scrap leather. All loops should be blocked in this manner, whether riveted, sewn, or glued.

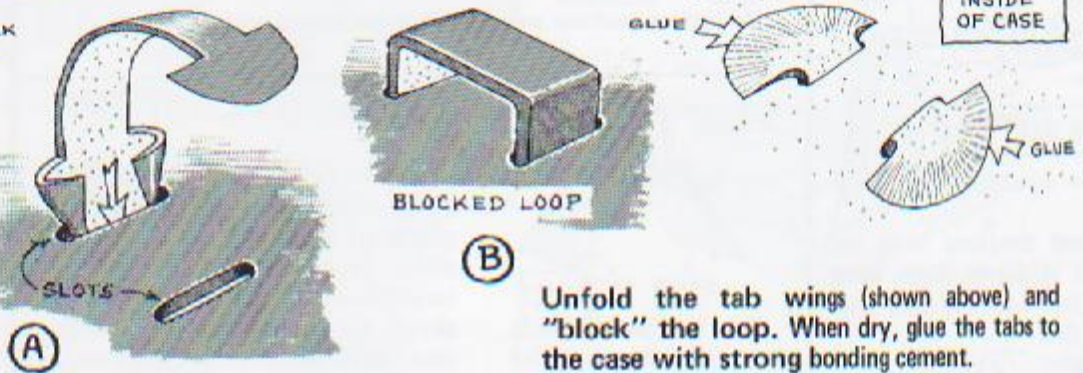


To determine length of loop between the tab wings, pull loop stock over strap and down through slots. Place a mark (A) at each side directly under the case leather, shown above. Cut the loop, with winged tabs, from the same leather thickness as the loop-stock.

To install, moisten tab wings, fold in and push into slots.

### EXAMPLE E

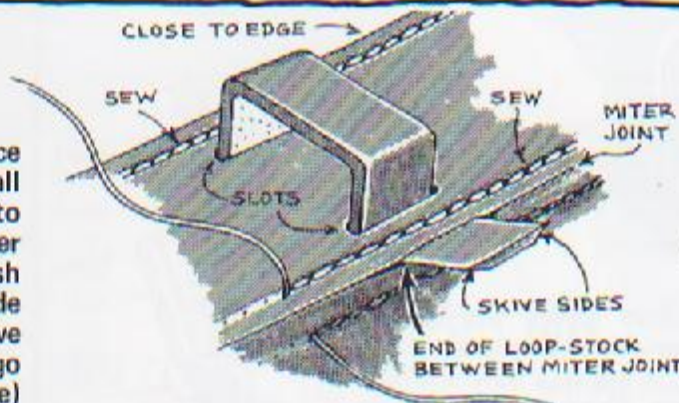
On light cases, where no great stress is exerted on loops and rivets or stitches are not desired, cut the loop with winged tabs as shown at left.



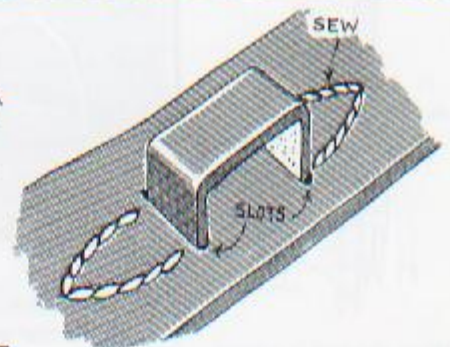
Unfold the tab wings (shown above) and "block" the loop. When dry, glue the tabs to the case with strong bonding cement.

This is a good method to use if the case is to be lined.

There may be an instance where you wish to install a loop close to the edge to be included with other sewing. Or, you may wish a loop installed on the side of a narrow case. Here, we show how the loop can go into the slot (inside case) and back out between the miter joint. Stitches secure ends; trim off after sewing.



### UNUSUAL LOOP INSTALLATIONS



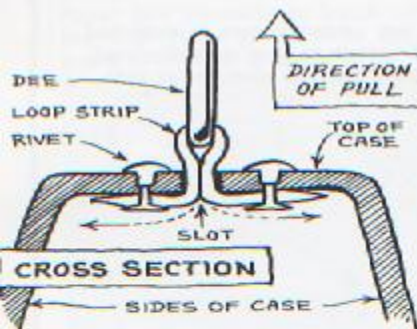
Here a loop is installed to a narrow strap (could be used to cross-tie a case to secure to another object). For decorative effect, the ends of the loops are sewn as shown.

# METHODS of ATTACHING DEES and RINGS



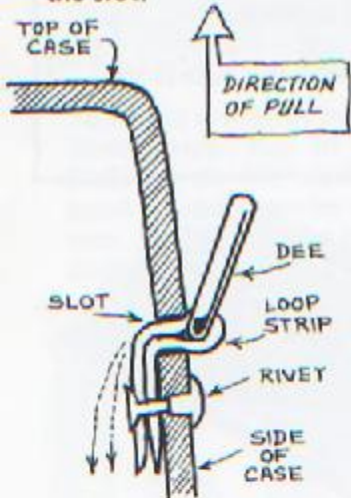
**1**  
**SINGLE SLOT**

This method features a single slot. Loop strip goes over dee; both ends go into slot and spread outward. Riveting to case, as shown. Study the cross-section views below.

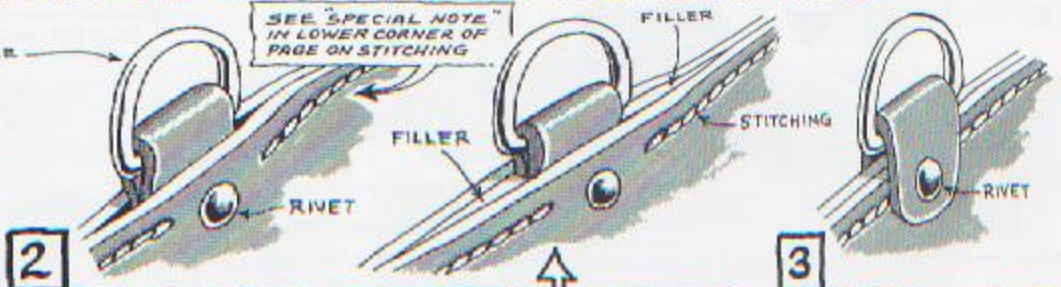


**CROSS SECTION**

Spread the loop ends and rivet as shown above, when the pull is directly away from the slot.

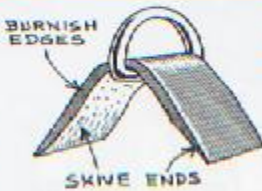
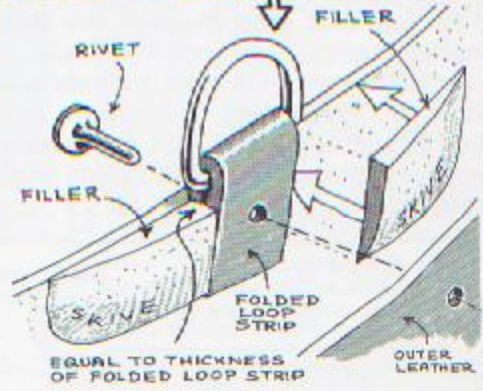


When the pull is against the slot, both loop strip ends go through slot and fold down, away from the direction of pull. Rivet as shown.



**2**  
**BETWEEN EDGE LEATHERS WITH FILLER**

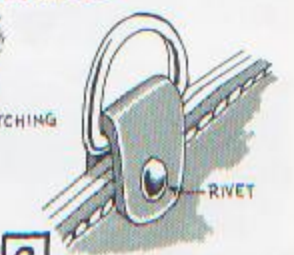
Here the loop strip is riveted between the edge leathers. The example at right makes a more professional job with the addition of the fillers. Cut and skive fillers as shown. Cement dee assembly, fillers and leathers together before punching rivet hole, and sewing.



For less bulk inside of the case, ends of the loop strips should be skived.

**SPECIAL NOTE: RAWHIDE**

For MAXIMUM STRENGTH... RAWHIDE can be used, in place of leather, for attaching dees. It must be thoroughly soaked in water to cut and skive. Cut slightly wider than dee, as it will shrink when dry. Rivet and/or sew before it is completely dry.



**3**  
**STRADDLE EDGE**

This method straddles the edge of the leather, either single or multiple thicknesses. Ends of loop strip should be rounded.

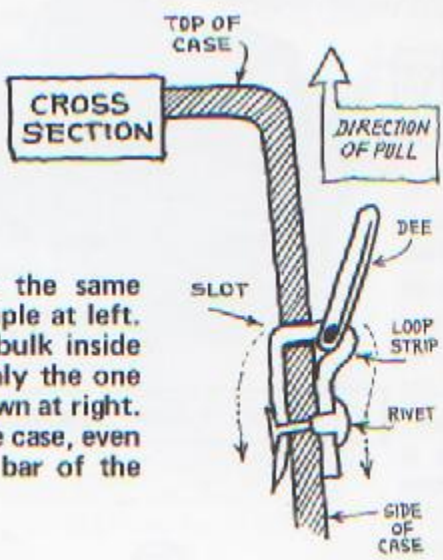


Shields can be cut on both ends of the strap (for straddle type assembly) for more decorative effect. Sew through both shields and case.

**4**  
**SINGLE SLOT- SIDE ATTACHMENT**



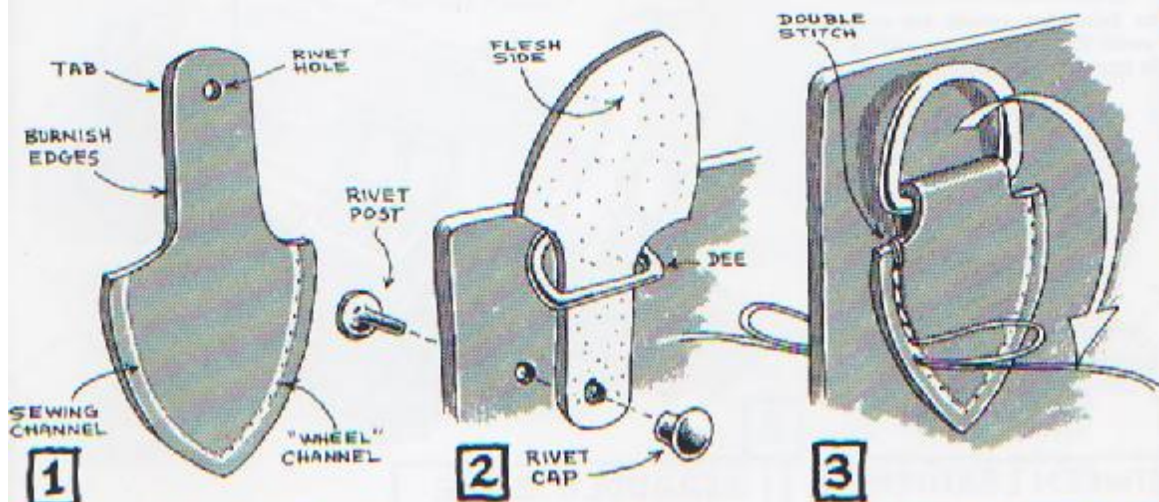
This method serves the same purpose as the example at left. However, it has less bulk inside of the case. Skive only the one end. Assemble as shown at right. Punch the slot, in the case, even with the horizontal bar of the dee.



Sewing across the loop strip (shown above) is not recommended if a lot of pull will be on the dee. Stitching weakens the leather much as a perforated postage stamp. It is permissible, though, if great stress is not expected.

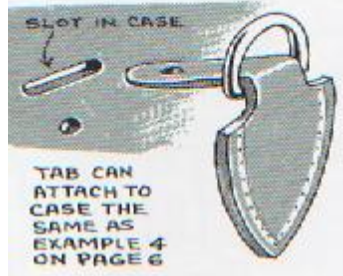


# ATTACHING DEES with the SHIELD and TAB

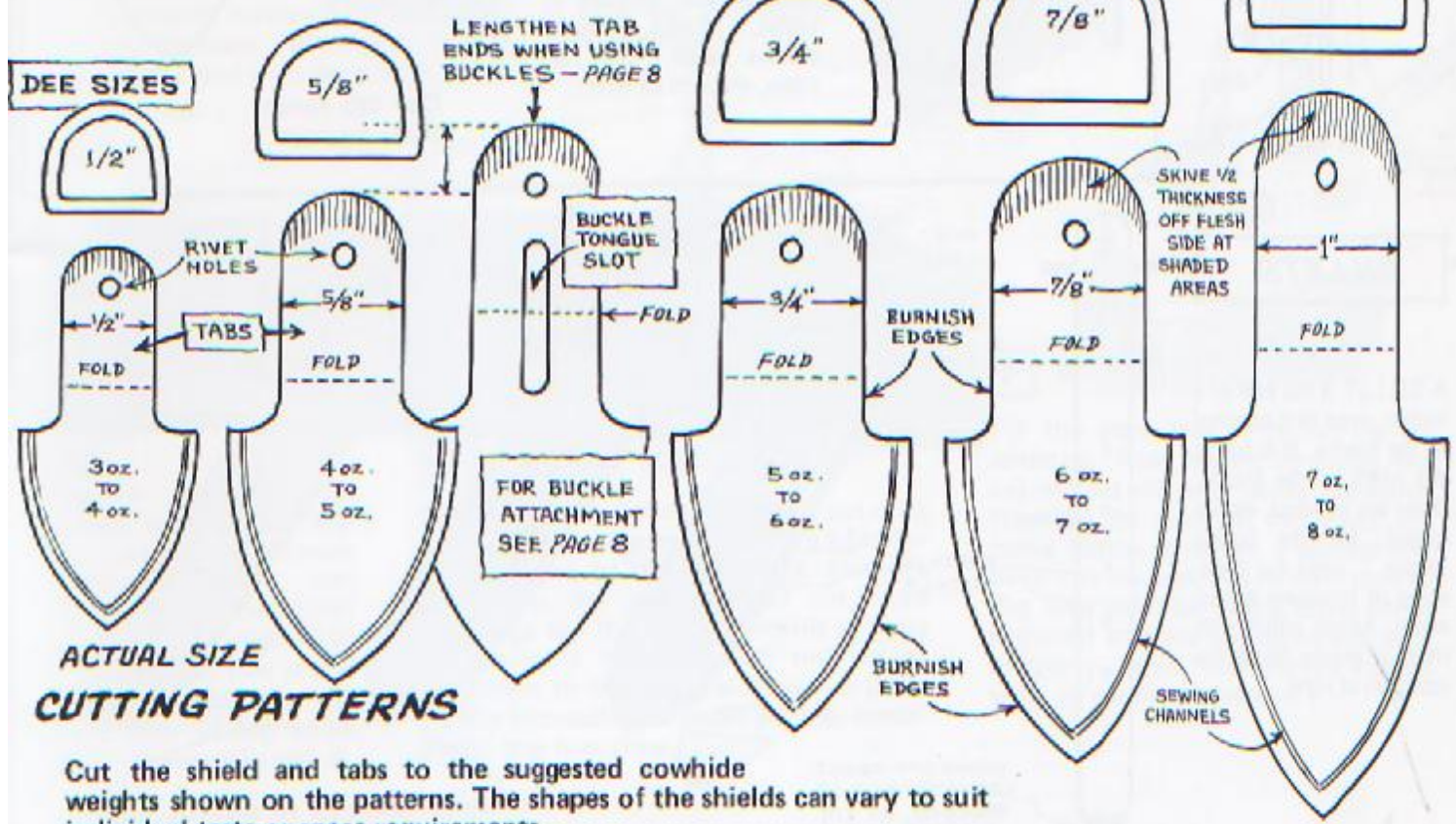


**NOTE:**

If the appearance of a rivet is not objectionable, extra strength to the attachment can be added with a copper rivet going through all leathers, in place of the one in step 2. This would only be necessary for projects receiving extremely hard use.



SEE PAGE 111 FOR DEE ATTACHMENT AND REDUCED SHIELD SIZE FITTING LIMITED AREA



## ACTUAL SIZE CUTTING PATTERNS

Cut the shield and tabs to the suggested cowhide weights shown on the patterns. The shapes of the shields can vary to suit individual taste or space requirements.

## ATTACHING BUCKLES and BILLETS

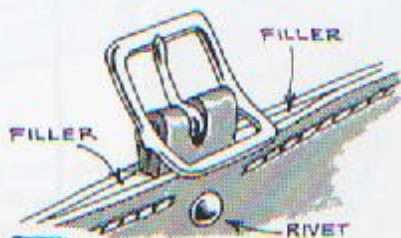
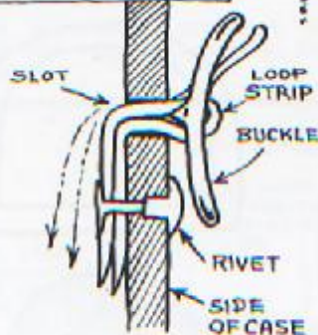


The loop strip for buckles must be cut longer than one used for dees. Cut out a slot for the buckle tongue, in center.

### 1 SINGLE SLOT

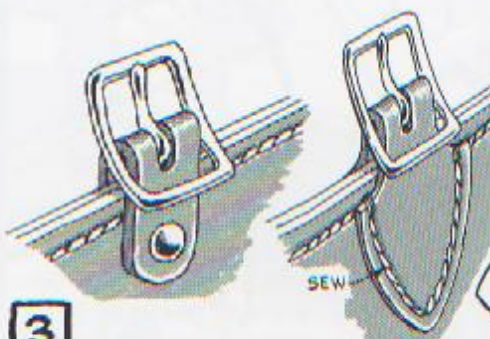
This is the same attaching method as used in step 1 (bottom of page) on page 6. Both ends enter slot and rivet as shown below.

#### CROSS-SECTION



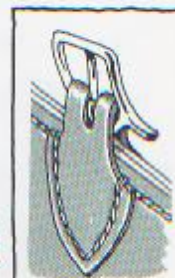
### 2 BETWEEN LEATHERS

This is the same assembly as step 2, page 6. Adding the fillers strengthens the assembly and is more professional in appearance.



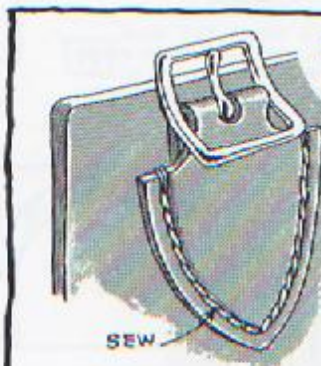
### 3 STRADDLE EDGE

This is the same as step 3, page 6. Pull buckle down snug to edge of leathers. Punch hole and rivet.

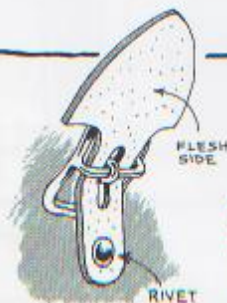


A more decorative attachment can be made by cutting the double shield. Sew as in step 3, page 6.

### 4 SHIELD & TAB



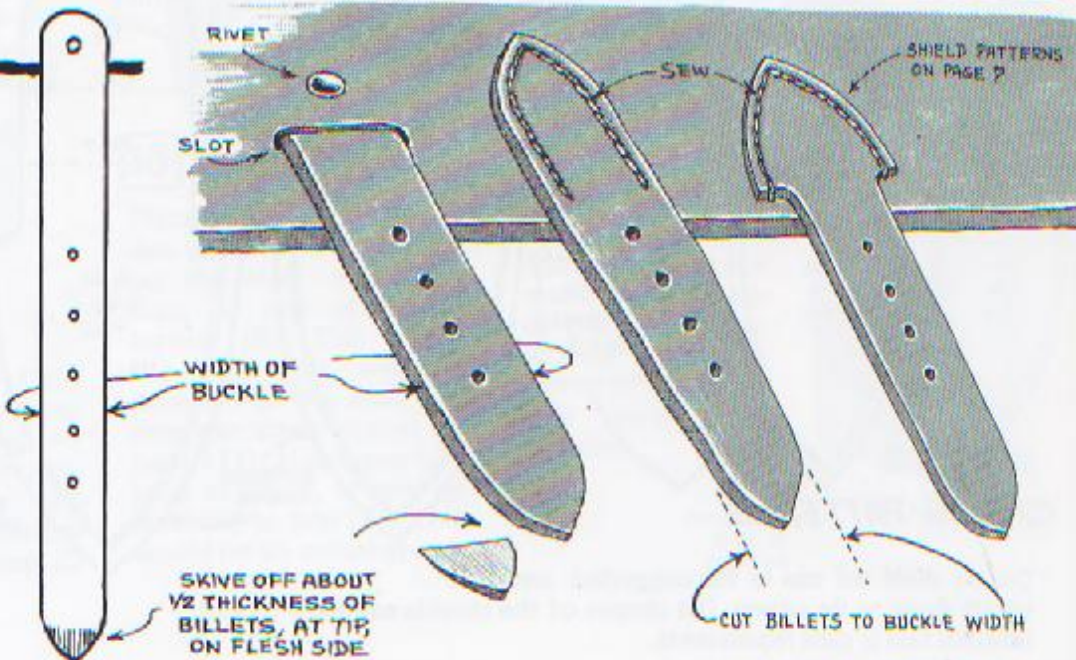
This assembly is identical to that shown in steps 2 and 3 on page 7. Fit buckle on tab and shield, shown at right. Fold shield down and sew to case, shown at left.



Cut tab longer. . . see patterns on page 7.

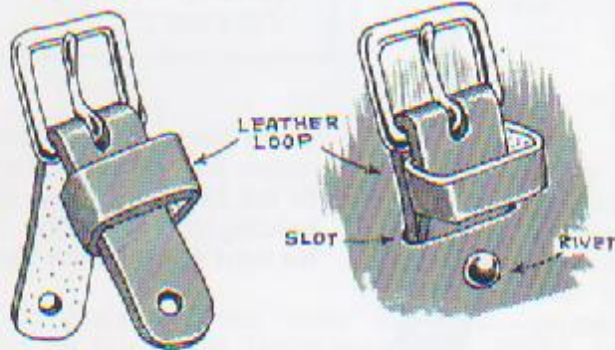
## BILLETS

A BILLET is the end of a leather strap that attaches to the buckle. It is cut to the width of the buckle. Holes are punched, evenly spaced, for the buckle tongue. . . used for tightening or loosening adjustments. Attach billets with rivets or sewing. Study the examples at right.



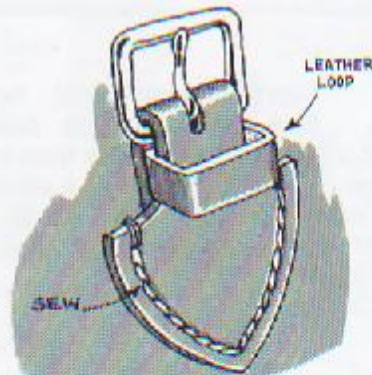
## ATTACHING BUCKLES and BILLETS - Continued

**NOTE:** When using buckles where a leather loop (keeper) is required, the tab will have to be cut longer (than on page 8) to allow for the width of the loop. See sketch at right.

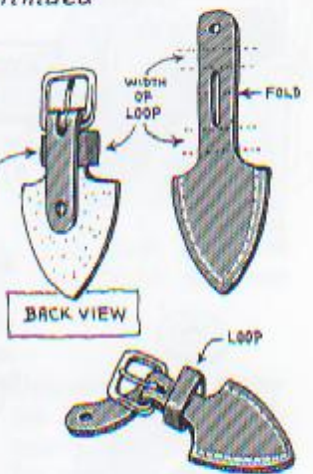


Fold the strap around buckle and tongue. Slide the loop in place.

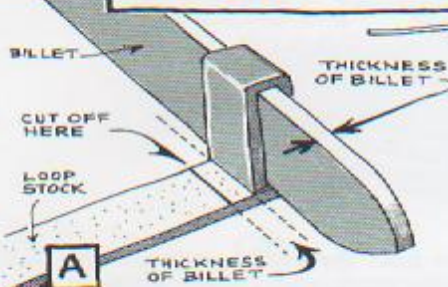
Insert ends in slot and rivet (step 1, page 8).



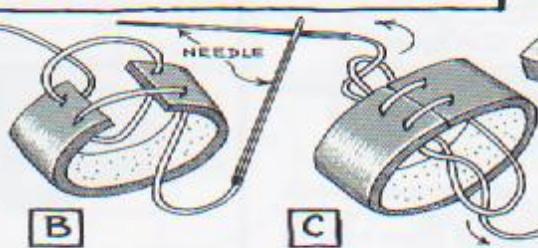
This assembly is exactly as shown with example 4, page 8. However, slide the loop on the tab before installing buckle.



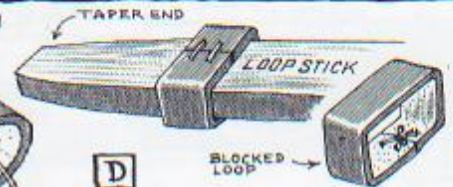
### MAKING A LEATHER LOOP (KEEPER)



Cut a length of "loop-stock" as suggested on page 4. Fold it tightly around the billet; as above. Allow one extra thickness of billet; cut off as indicated.

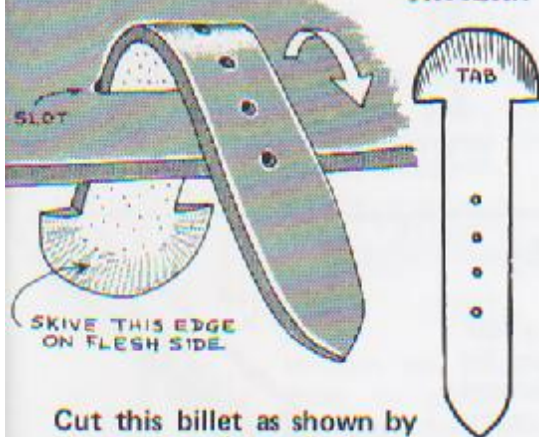


Stab awl holes in loop ends and sew with heavy waxed thread, as in (B). Pull the threads tight. Change ends of thread, passing inside loop and double twist to form knot (C). Pull tight. Cut off the thread ends.



Make a "loop-stick" out of wood, or heavy leather, the width of the billet. . . and twice as thick. Wet the loop and slide it onto the loop-stick. Tap with hammer on all sides to "block" the loop. Allow to dry before removing the loop-stick.

### PATTERN



Cut this billet as shown by the pattern (above). Punch a slot and pull billet through from the back side, up tight. Tab can be glued down; no rivets or stitching required. This is a good method to use when lining the project.

### WRONG EXAMPLES!



DO NOT. . . rivet billet or buckle tabs on the outside of the case. . . as shown in the illustration!

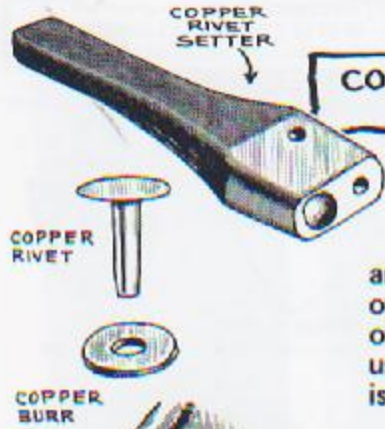
The pull and stress will be solely on the rivet, subjecting it to the possibility of pulling it through the leather.

This is poor construction and unprofessional in appearance.

# SETTING the RIVETS

**NOTE:**  
ALL RIVETING SHOULD  
BE DONE ON A SMOOTH  
METAL SURFACE

## COPPER RIVETS ≠ BURRS (WASHERS)



Copper rivets and burrs have great holding power and will stand more abuse than any other rivet. They come in a variety of sizes and lengths and should be used where strength and durability is required.

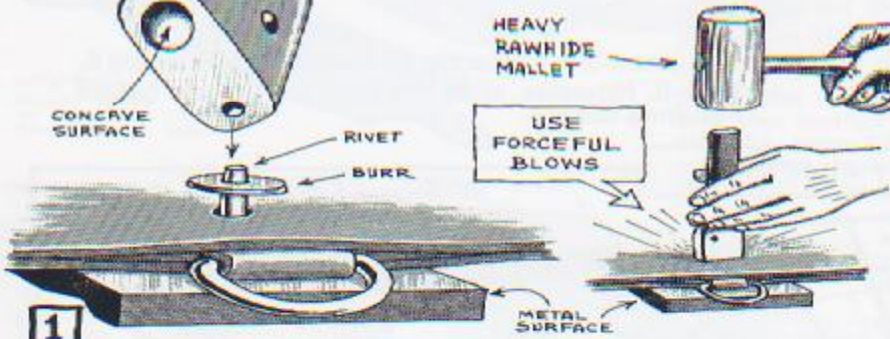


## RAPID RIVETS (SPEEDY)

These rivets come by a variety of names and sizes. They are simple to use and remarkably strong for holding power. They are good for light and medium duty cases.

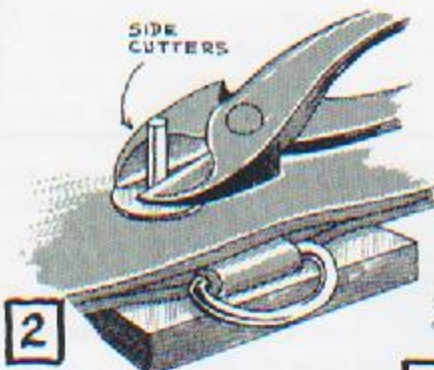


These rivets can be "set" by swatting with a hammer. However, the rivet setter retains the domed appearance of the cap and should be used.

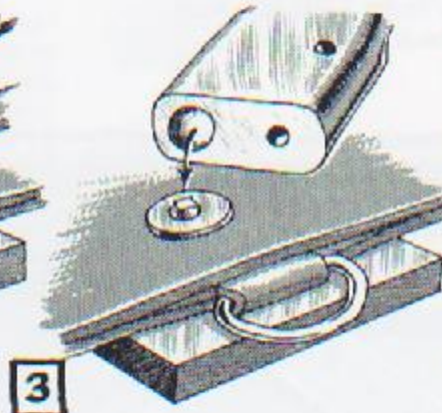


Simply push the post through hole from the back side, place cap on post, place rivet setter on cap and strike with the mallet. Two or three sharp blows will set the rivet. Be sure to use the proper length posts: Too short; cap will not hold. Too long; post will bend. . . rivet will not set properly, and will probably pull apart.

1 Prepare the project for riveting. Push the copper rivet through the hole from face side, then turn face side down on metal block. Place burr on rivet (as above) and place hole in rivet setter over the rivet end. Drive the burr down tight against the leather. **NOTE:** if the leather is damp, place a sheet of paper between it and the metal block. This will prevent chemical reaction, staining the leather.



2 Cut rivet off close to burr with side, or end cutters.



3 Place concave recess of setter on burr. Hold perpendicular and strike tool forcefully, turning to left and right as you strike. This spreads end of rivet over burr, at the same time rounding its end. A few additional blows with a hammer can be used to flatten the rivet end a bit, if desired.

**NOT RECOMMENDED FOR USE ON CASES FACING STRESS... AND REQUIRING DURABILITY.**

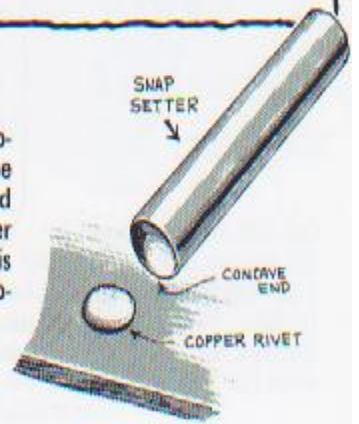
TUBULAR RIVET      SPLIT RIVET



4 THE "SET" RIVET AND BURR

## TIP:

The head of a copper rivet can be slightly domed with a snap setter of proper size. This enhances its appearance.

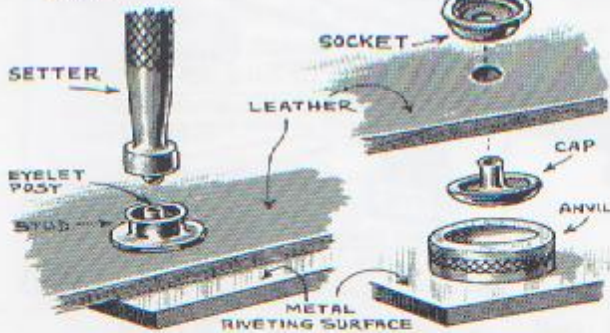


## SETTING SNAPS



When the snap components are put together, the setter spreads the posts (of eyelet and cap) and locks the parts together. There is a setter for the DURABLE and BABY DOT.

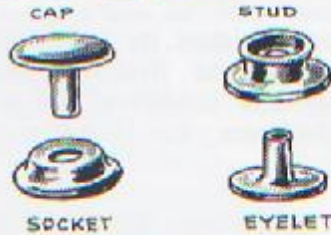
The ANVIL has a concave surface. This is used for setting the socket to the cap. The cap rests in the concave.



Place end of setter in top of post and strike with rawhide mallet to "set" the parts. Always set snaps against a metal surface.

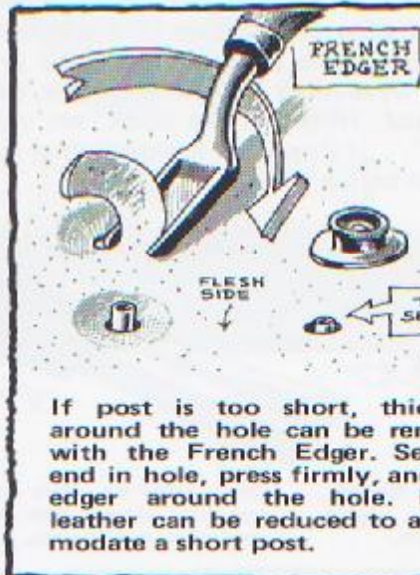
Cap rests in Anvil concave. Post goes through leather; socket over post. Setter locks socket to cap.

### SNAP COMPONENTS

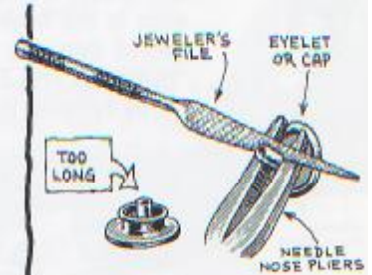


### DURABLE DOT and BABY DOT fasteners

These are commonly used on leather cases, as they have more holding power than the belt-type snaps. The Baby Dot is a smaller version of the Durable Dot and is used on lighter weight leathers and generally, on smaller cases.



If post is too short, thickness around the hole can be removed with the French Edger. Set one end in hole, press firmly, and turn edger around the hole. Heavy leather can be reduced to accommodate a short post.

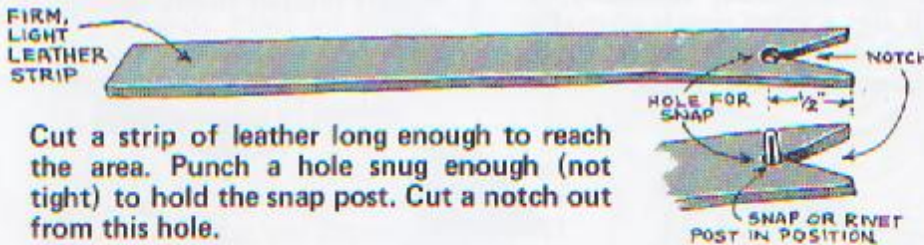


If the snap post is too long, the parts will not "set" properly. Some of the length can be cut off with a jeweler's file (or saw), coping saw with metal-cutting blade, or even a hacksaw. Hold with pliers.

### TIP:

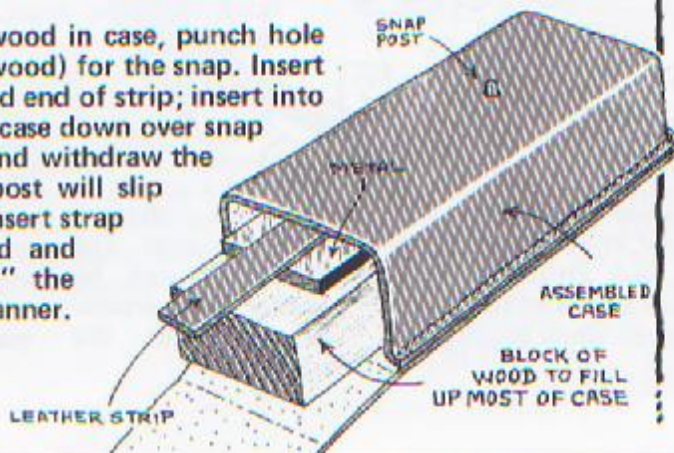
### SETTING SNAPS & RIVETS in inaccessible areas

Often times you may wish to install a snap or rivet to a case that is already assembled, or have forgotten to install one before assembly. We offer this simple solution... to a seemingly impossible task.

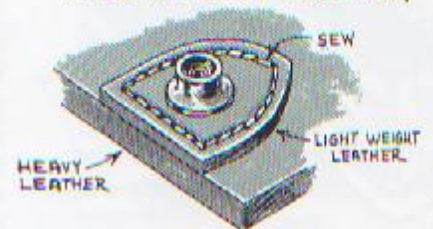


Cut a strip of leather long enough to reach the area. Punch a hole snug enough (not tight) to hold the snap post. Cut a notch out from this hole.

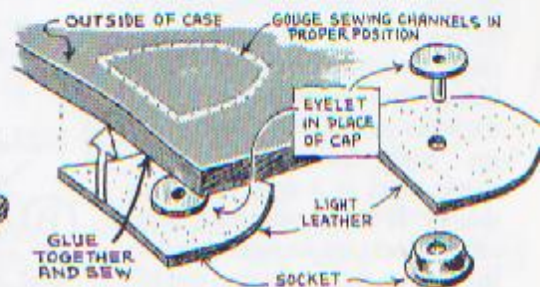
Insert a block of wood in case, punch hole through case (into wood) for the snap. Insert snap post in notched end of strip; insert into case. Press hole, in case down over snap post. Hold firmly and withdraw the leather strip. The post will slip out of the notch. Insert strap iron between wood and base of snap. "Set" the snap in the usual manner.



### SETTING SNAP IN EXTRA HEAVY LEATHER



When leather is too thick, and eyelet posts cannot possibly reach through, the snap can be "set" in a lighter leather and this in turn be sewn to the heavy leather.

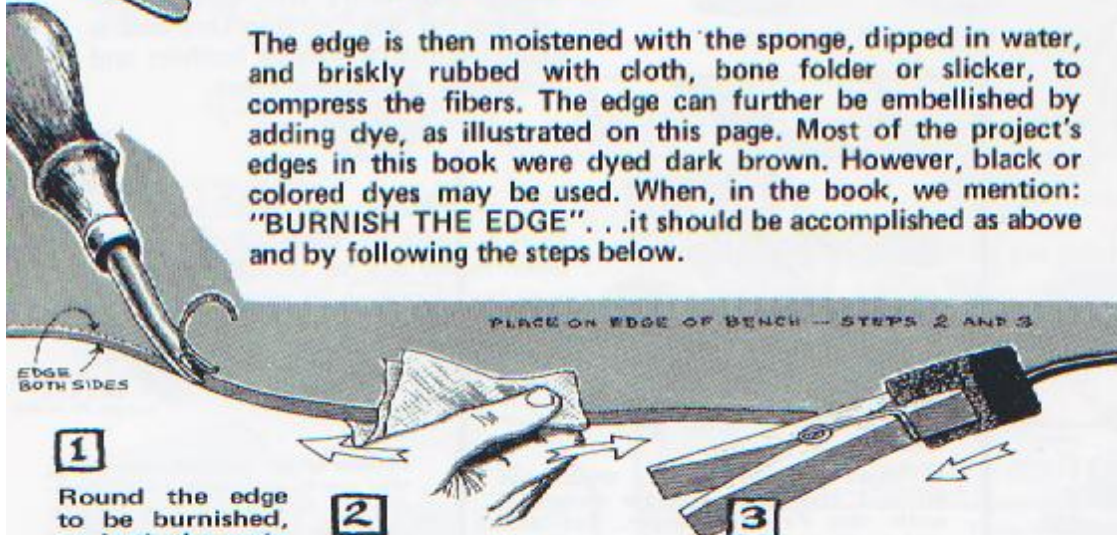
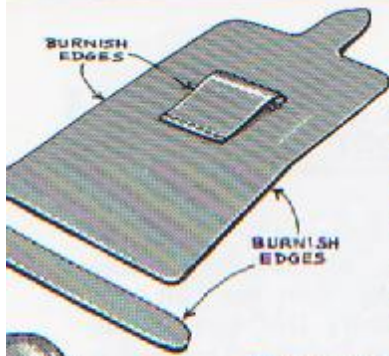


If the cap post (for socket) is not long enough for heavy leather, "set" the socket with the eyelet part (in place of cap) to light leather. Glue to heavy leather and sew.

## BURNISHING EDGES

Throughout the book we are constantly referring to "burnished" edges. Burnished edges add the finishing touches and professional look to any project. All exposed edges should be burnished. By "burnishing", we mean the leather should first be beveled (rounded) with an edge tool (edger) of the proper size for the leather thickness; the largest size for heavier leathers.

The edge is then moistened with the sponge, dipped in water, and briskly rubbed with cloth, bone folder or slicker, to compress the fibers. The edge can further be embellished by adding dye, as illustrated on this page. Most of the project's edges in this book were dyed dark brown. However, black or colored dyes may be used. When, in the book, we mention: "BURNISH THE EDGE". . . it should be accomplished as above and by following the steps below.



**1**  
Round the edge to be burnished, on both the grain and flesh sides. Use the proper size edger.

**2**  
Lay on edge of bench, moisten, and rub vigorously back and forth.

**3**  
Dip felt in dye and pull quickly along the edge. Re-moisten; rub again.

### TOOLS FOR "BURNISHING" EDGES

EDGE BEVELER (EDGER)

VARIOUS SIZES

FOR ROUNDING EDGES



SPONGE



WATER DISH

FOR MOISTENING EDGES



EDGE SLICKER



BONE FOLDER

COARSE CLOTH OR CANVAS

FOR SMOOTHING EDGES



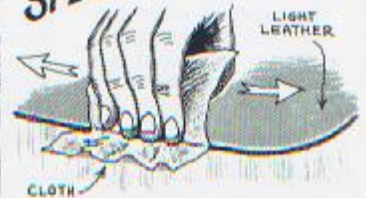
LEATHER DYE



CLOTHES PIN

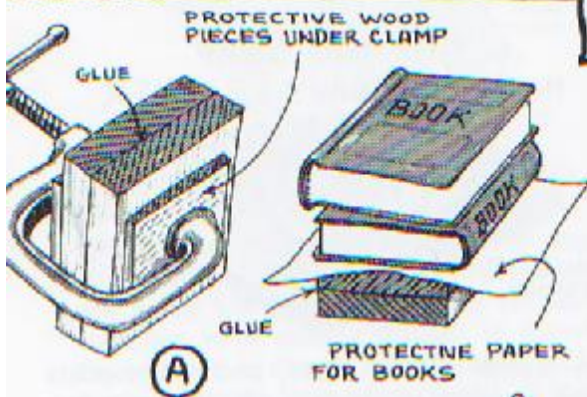
FOR DYEING EDGES

### SPECIAL NOTE:



For burnishing edges of very lightweight leathers, moisten edge, lay on a smooth, hard surface and rub briskly with a cloth. . . using the tips of the fingers pressed firmly against the edge.

## MAKING WOODEN FORMS ALSO SEE PAGE 81

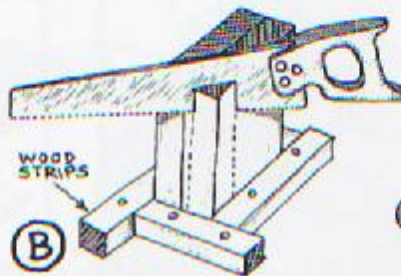


Throughout the book, we show many examples using wooden forms to aid in the making of leather cases. They simplify case construction, as well as insuring a perfect fitting case. They are not difficult to make, nor require a multitude of tools. Normally, a hand-saw and a wood rasp is all that is required. Soft wood is recommended as it is easier to saw and shape.

Two or more blocks of wood can be glued together to make up the required thickness for a case. If clamps are not available, use books to "set" the glue. Use the white glue (available at any crafts or building supply store) as it dries fast; bonds securely. It comes under many brand names. Blocks can be nailed together, but pre-plan their position so you will not be sawing into the nails.



WHITE GLUE



**B**  
Cut away the excess with the saw. If a vise is unavailable, tack strips of wood to your bench to help hold the block while sawing.

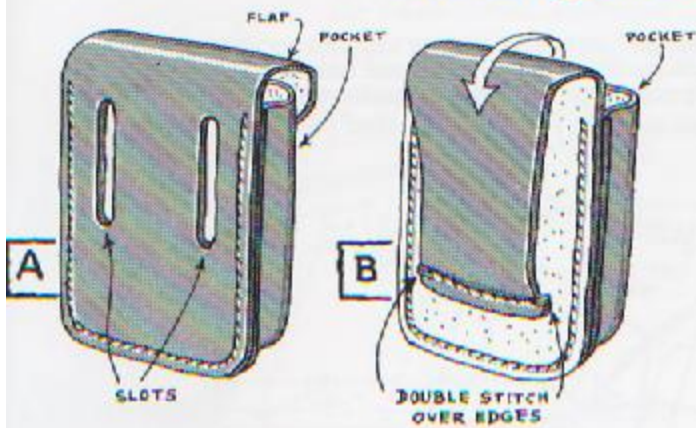


**C**  
Complete shaping with the rasp. The top must not be smaller in circumference than the bottom.



**D**  
Before making the case, rub sides of form with paraffin for easier removal when case is completed. See tip on page 37.

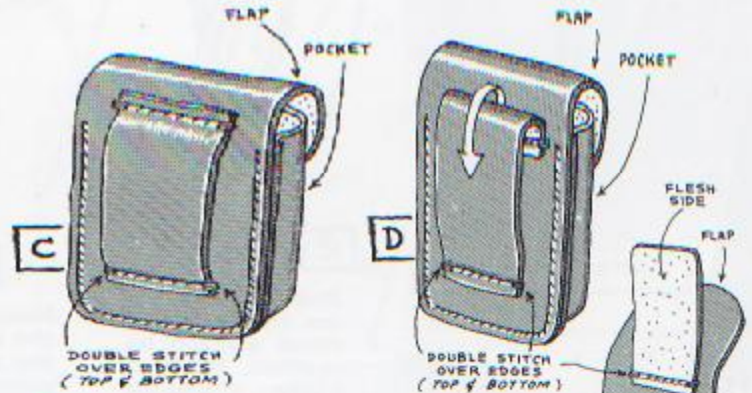
## MAKING and INSTALLING BELT LOOPS



This is the simplest method of all... just cut slots for the belt. Slots should be cut a bit longer than the width of the belt. This case will ride snug against the user and not slide freely on the belt. It can be used, if the belt (threaded through slots; inside case) does not interfere with the pocket contents.

This loop is formed by simply folding the back of the case over. Allow ample length for the belt width. The bottom will have to be narrower than stitching line (at sides) for the pocket. This must be sewn before sewing on the pocket. Study the sketch.

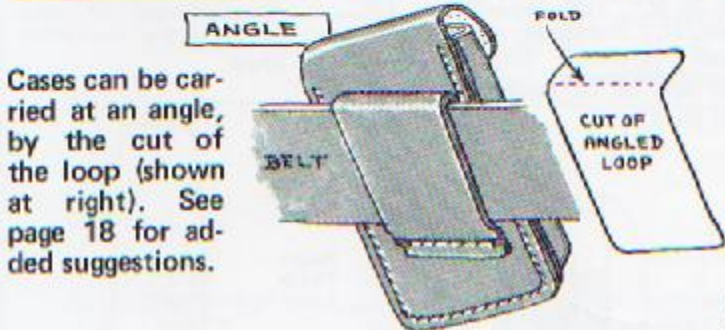
To avoid continued repetition throughout this book, we will illustrate some simple and practical methods of installing belt loops to your small cases. The variety of examples will enable you to add suitable loops to any of your projects, to be worn on the belt. You'll note the examples are all hand sewn. Rivets can be used at some of the stress points, if desired. We avoid the use of total rivet construction, as rivets in the wrong places may make bulky protrusions and wear on clothing. Mainly, we feel it is unprofessional in appearance.



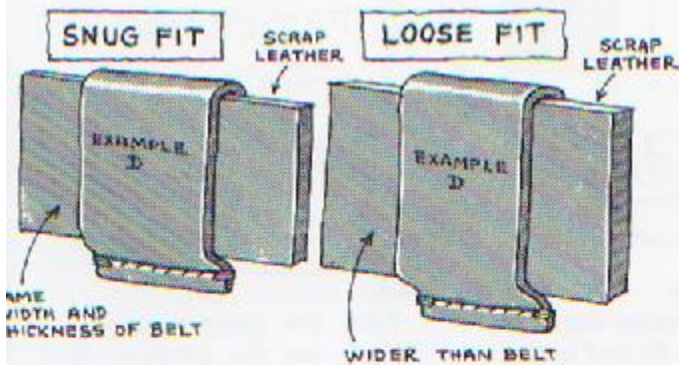
This loop can be used when you want the belt to fit tight within the loop. It is not as good as example (D) as the stitching at top receives most of the stress. This loop must be sewn before sewing on the pocket.

This loop is sewn in two stages. Turn up (as shown at right) and sew across the top end. Then fold down and sew the bottom. It must be sewn to the case before sewing on the pocket.

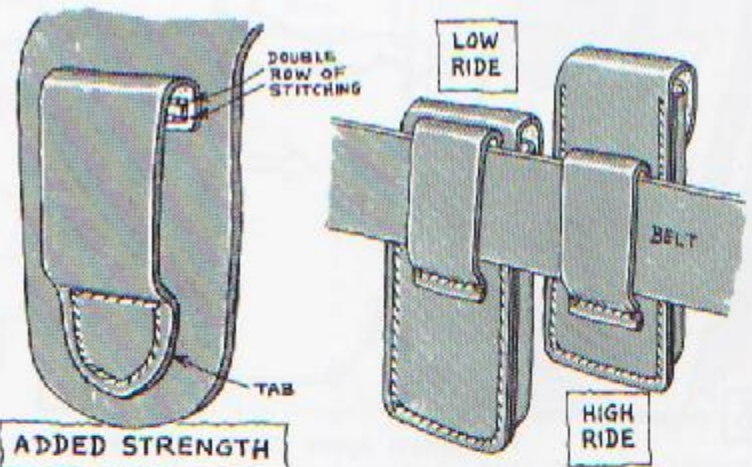
ALL LOOPS SHOULD BE MOISTENED FOR EASIER FITTING... BEFORE SEWING



Cases can be carried at an angle, by the cut of the loop (shown at right). See page 18 for added suggestions.



All loops should be sewn with a piece of scrap leather under them. Loops should be moistened and formed with a bone folder, over the scrap leather. Illustrations above show how to make a snug, or a loose fitting belt loop.

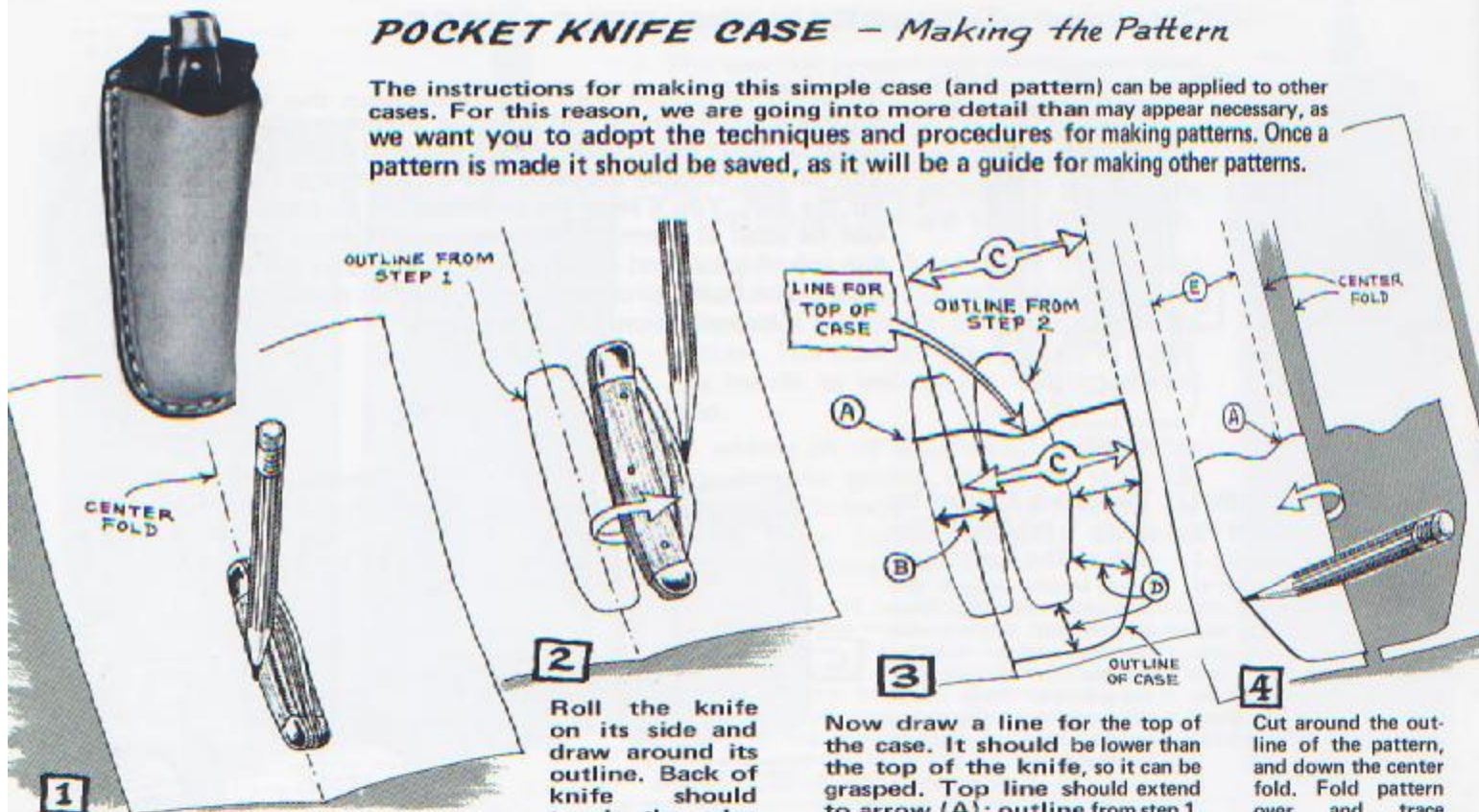


Where space permits, much strength can be added to the loop by two rows of stitching at the top, and adding the tab at bottom. Sew as shown.

The location of the belt loops determines where the case will ride. It is desirable to have some cases ride higher than others; depending on their purpose.

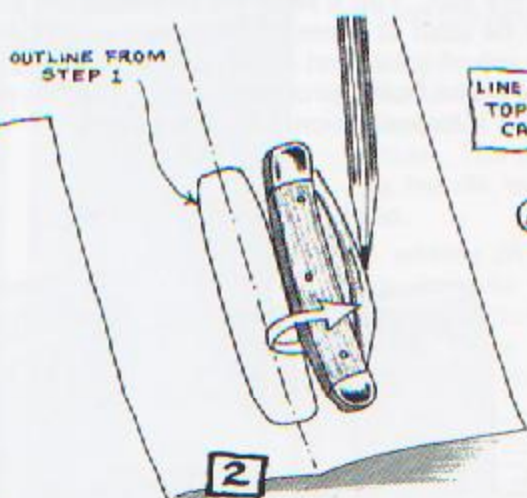
## POCKET KNIFE CASE - Making the Pattern

The instructions for making this simple case (and pattern) can be applied to other cases. For this reason, we are going into more detail than may appear necessary, as we want you to adopt the techniques and procedures for making patterns. Once a pattern is made it should be saved, as it will be a guide for making other patterns.

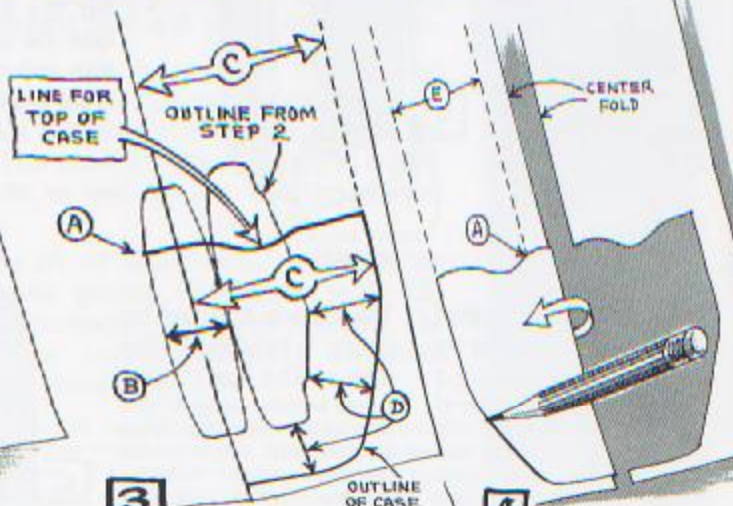


1

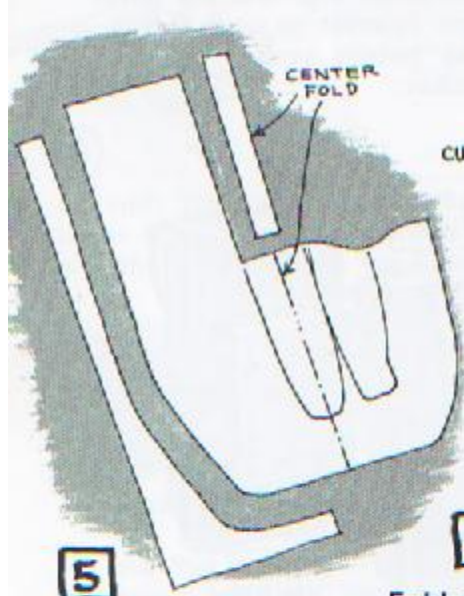
Fold and crease a piece of heavy paper in half. Place back of knife in center of fold and draw around it with a pencil. Traced outline should be equal on both sides of the fold.



Roll the knife on its side and draw around its outline. Back of knife should touch the edge of outline from step 1.

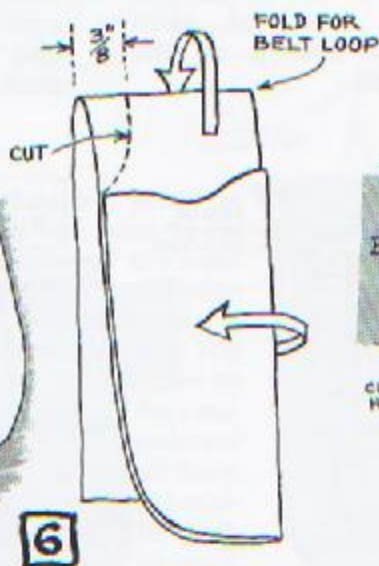


Now draw a line for the top of the case. It should be lower than the top of the knife, so it can be grasped. Top line should extend to arrow (A); outline from step 1. The sides and bottom arrows (D) should be about double the width of arrows (B). Example: if (B) is  $\frac{1}{2}$ " , (D) should be 1". Arrows (C) indicate widest part of case outline. Top opening should not be narrower than the widest part.

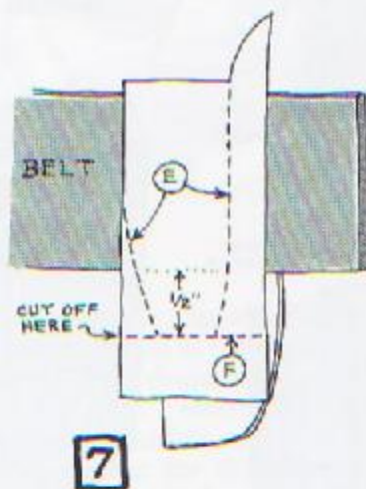


4

Unfold pattern and cut as shown above.

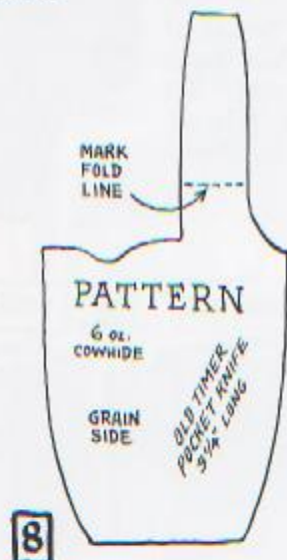


Fold pattern again. Now fold top where you wish the belt to ride. Broken line indicates area to cut, as belt loop must be narrowed on the back side so case can be sewn at the edge.



6

Make the pattern cut (indicated in step 6) and insert a scrap of leather equaling your belt width. (E) indicates necessary trimming of belt loop. Allow  $\frac{1}{2}$ " below belt; trim off at (F).

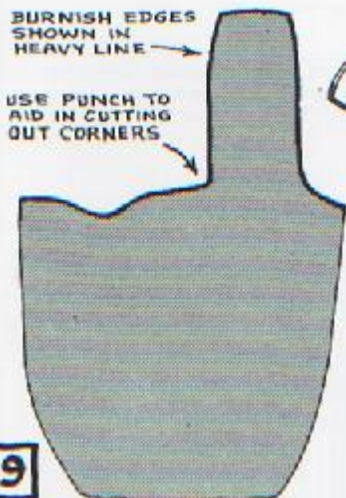


7

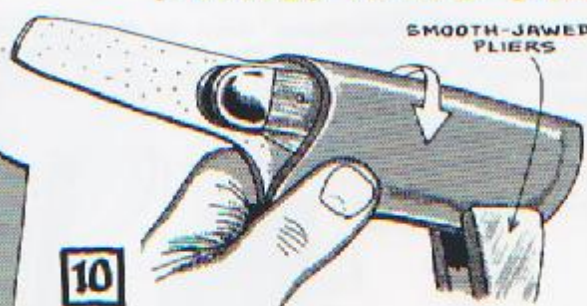
Trim the pattern (step 7). Mark on the pattern; fold line, grain side, weight (oz.) of leather and item for which it was made. This will aid in making additional cases. Pattern is complete.



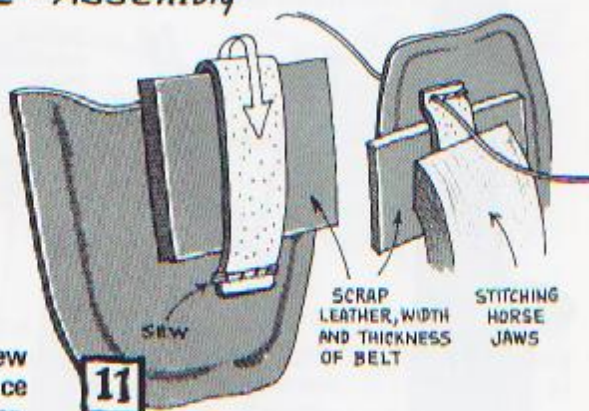
## POCKET KNIFE CASE - Assembly



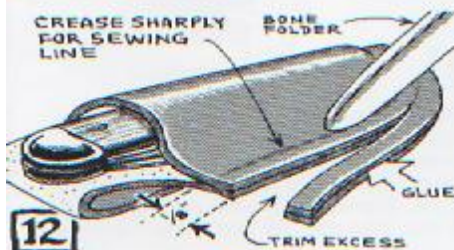
**9** Cut the leather from 6 oz. cowhide. Burnish the edges indicated.



**10** Submerge the leather in water for a few moments. . . casing is not required. Place the knife in position and fold case together. Pinch around edges with pliers to establish a sewing line. Do not pinch too close against knife, or case will be too tight. . . if smooth jawed pliers are not available, grind the serrations off of a regular pair.



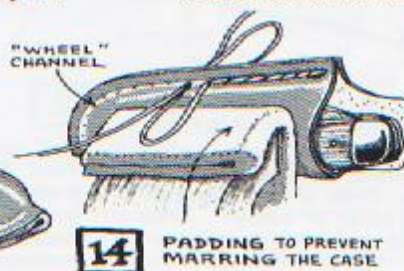
**11** Remove the knife; unfold the leather. Fold loop (at pattern mark) over scrap leather and sew end. Place in stitching horse, as shown (right) to sew. Tap stitches with hammer.



**12** Fit knife back in case, cement edges together, and pinch again with pliers. Crease sharply with bone folder. Crease sharply with bone folder, not too tight against knife. Trim excess 1/8" away from the crease.

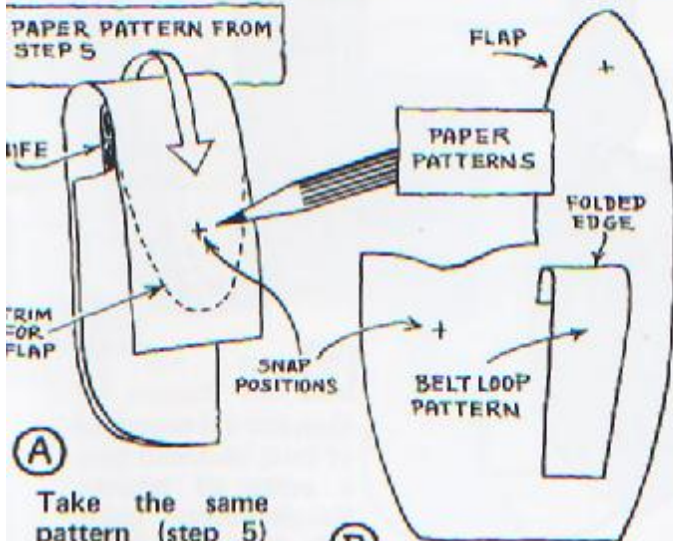


**13** Gouge sewing channels in crease, on front and back side, 1/8" from the edge.



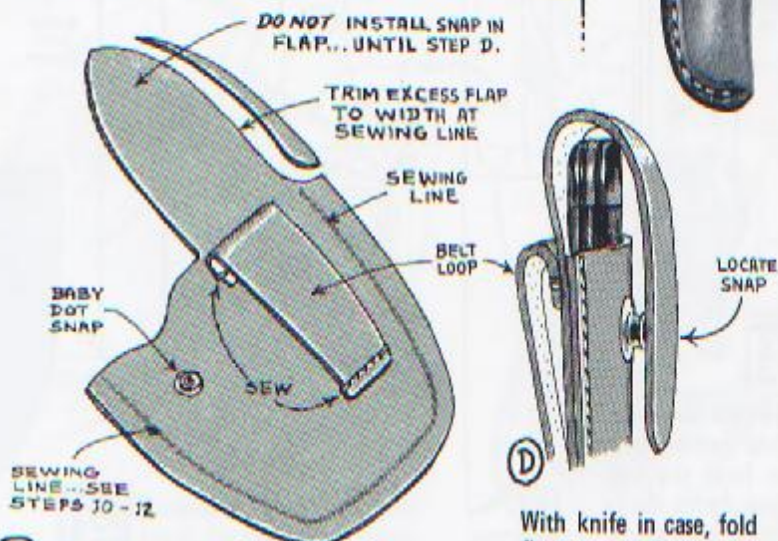
**14** Use No. 6 over stitch wheel in channel. Place in stitching horse, as shown, and sew. Burnish edge. Case is complete.

WITH FLAP  
FOLLOW THE  
INSTRUCTIONS BELOW



**A** Take the same pattern (step 5) and place knife inside. Fold the back over the front, this will be the flap instead of the belt loop. Mark for flap trim, and snap positions.

**B** Lay pattern out and make a pattern for the belt loop. Remember to stay away from the side to be sewn. See page 13 for belt loop suggestions.

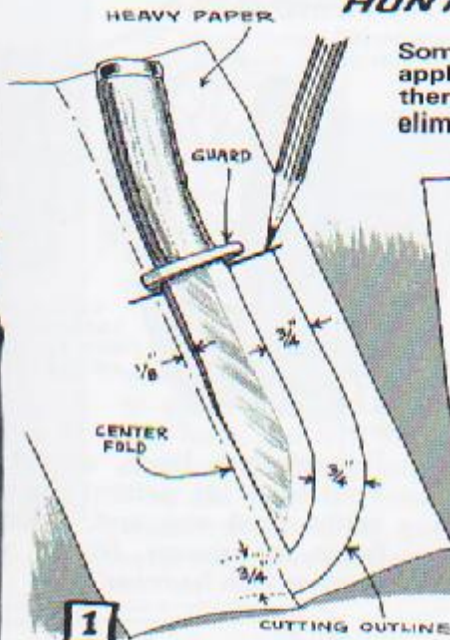


**C** Cut the leather from 6 oz. cowhide follow steps 9 and 10. Lay out flat and trim flap as shown. Sew belt loop in place. Install snap to case. Burnish flap and top of pocket. Assemble case as in steps 12 through 14.

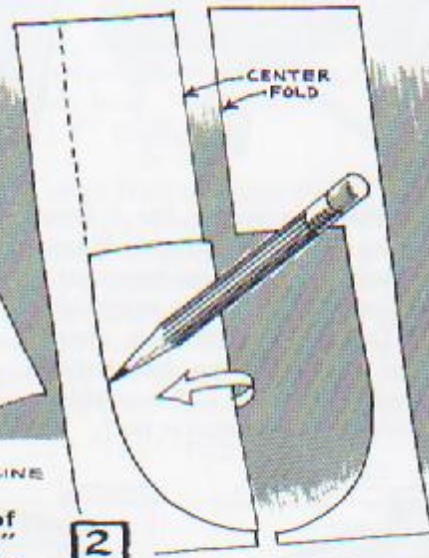
**D** With knife in case, fold flap over and re-locate position of snap. Leather takes up more in the fold than paper, this is why snap is not installed to flap in step C. Install the flap snap now.

## HUNTING KNIFE CASES

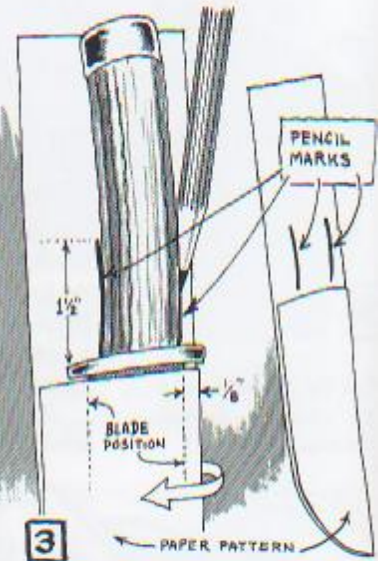
Some of the same procedures, used in the pocket knife case, can be applied to making patterns for the hunting knife cases. However, since there is relatively little thickness to the blade, step 1 on page 14 can be eliminated.



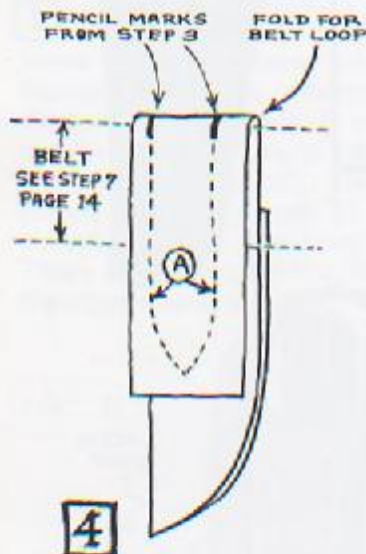
**1** Fold and crease a piece of paper. Lay knife about 1/8" away from center fold, as shown. Pencil a mark under the guard, on both sides of blade. Draw a line, paralleling blade, 3/4" away... this will be the pattern cut-line.



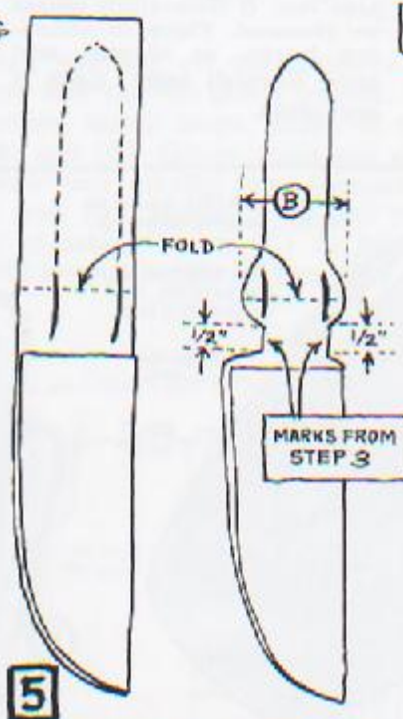
**2** Cut out pattern and at center fold, as shown. Fold over and trace around the edge to the lower paper. Cut out the pattern, straight up on broken line.



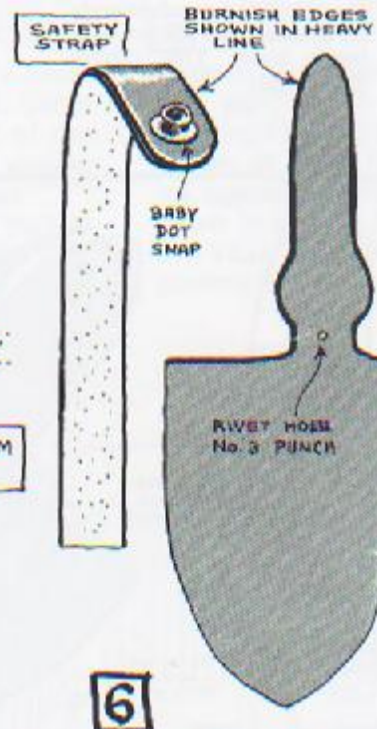
**3** Place knife blade in pattern. Blade should be at least 1/8" away from center fold, as leather takes up more than paper at folds. Pencil a mark on each side of the handle, as indicated above.



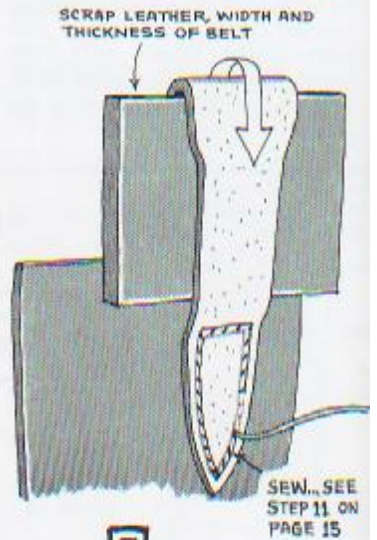
**4** Remove the knife. Fold pattern over to form the belt loop. Pencil marks should show at top. Draw down from these (A) to form the belt loop. See page 13 for belt loop suggestions.



**5** Unfold the loop; pattern should resemble sketch at left. Cut pattern in, to handle marks (as shown). Pattern can be widened (B) at fold to give more belt support if desired.

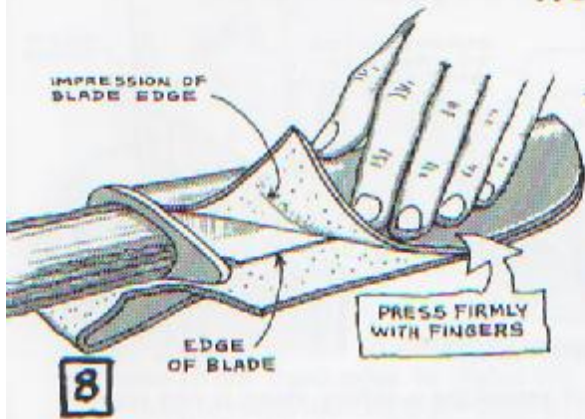


**6** Cut the case from 6-7 oz. cowhide. Punch a rivet hole (centered) as shown above. Cut a safety strap from 6 oz. cowhide, 1/2" wide and about 6" long. Install snap in one end. Burnish edges.



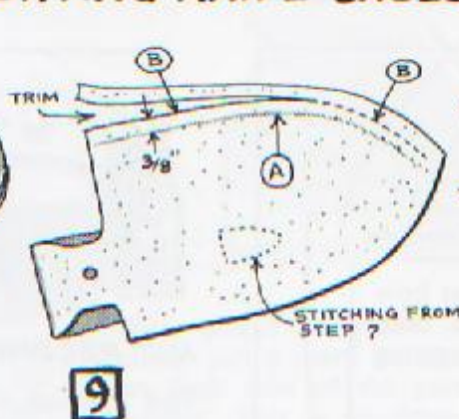
**7** Moisten the loop area at fold, and fold over a scrap of leather. Gouge sewing channels, and sew to case.

## HUNTING KNIFE CASES - Continued



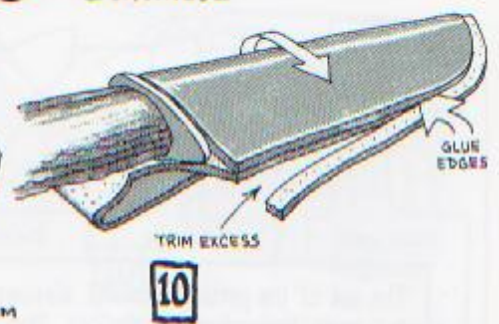
**8**

Moisten the case, especially well on the flesh side (inside). Fold over knife, against top of blade. Hold in position and firmly press top leather all along blade edge. This will leave its impression on the flesh side of the leather.



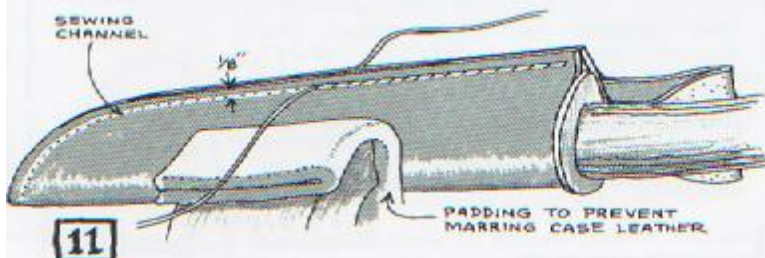
**9**

Unfold the case, note the impression (A) of the blade edge. Scribe a parallel mark (B)  $\frac{3}{8}$ " outside the impression. Trim excess leather off on this line. We want the stitching at least  $\frac{1}{4}$ " from blade.



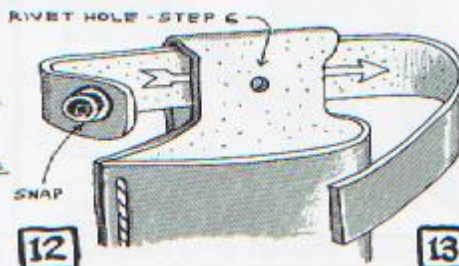
**10**

Once again, fold leather over knife. Cement the two edges together and trim off the excess.



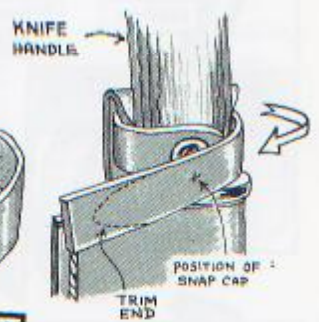
**11**

Gouge a sewing channel  $\frac{1}{8}$ " from edge (see step 13, page 15) on front and back sides. Use No. 6 overstitch and "wheel". Place in stitching horse, with knife inside, and sew. Burnish the edge.



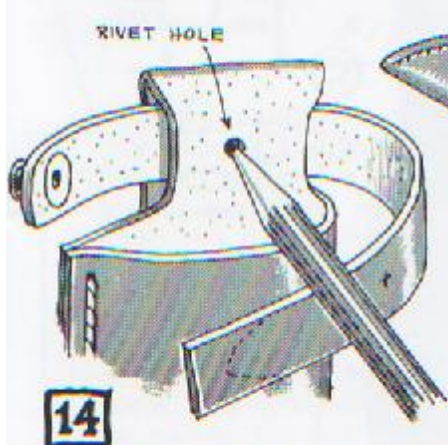
**12**

Pull the safety strap (from step 6) inside the belt loop, as shown.



**13**

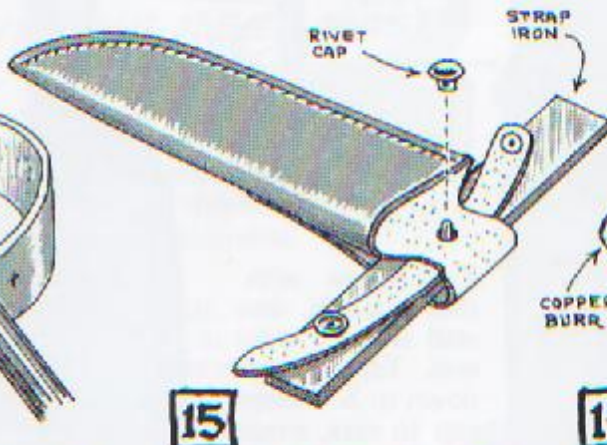
Place knife in case and pull safety strap tightly around the handle. Mark snap position, and the trim for the end.



**14**

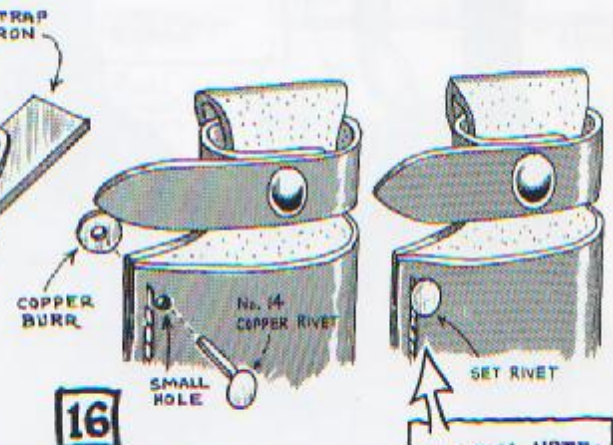
Carefully unfold strap and remove knife. Do not allow strap to move. . . and mark strap through rivet hole. Remove strap and punch a rivet hole in it. Point the strap end and burnish the edges.

SEE PAGE 10 FOR INSTALLING RIVETS



**15**

Install the snap cap. Put safety strap back inside loop, align holes, and insert a rivet post of proper length. Slip a metal riveting piece under strap, and inside belt loop; as shown above. Rivet the safety strap.

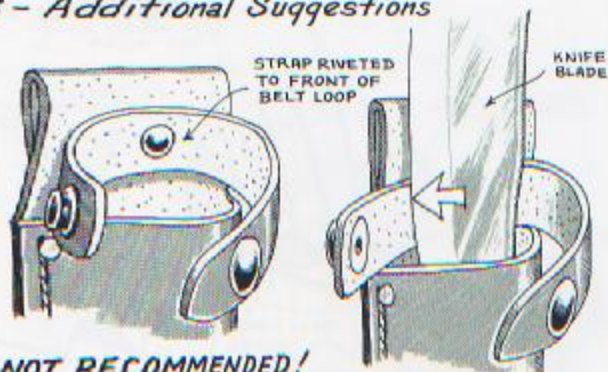
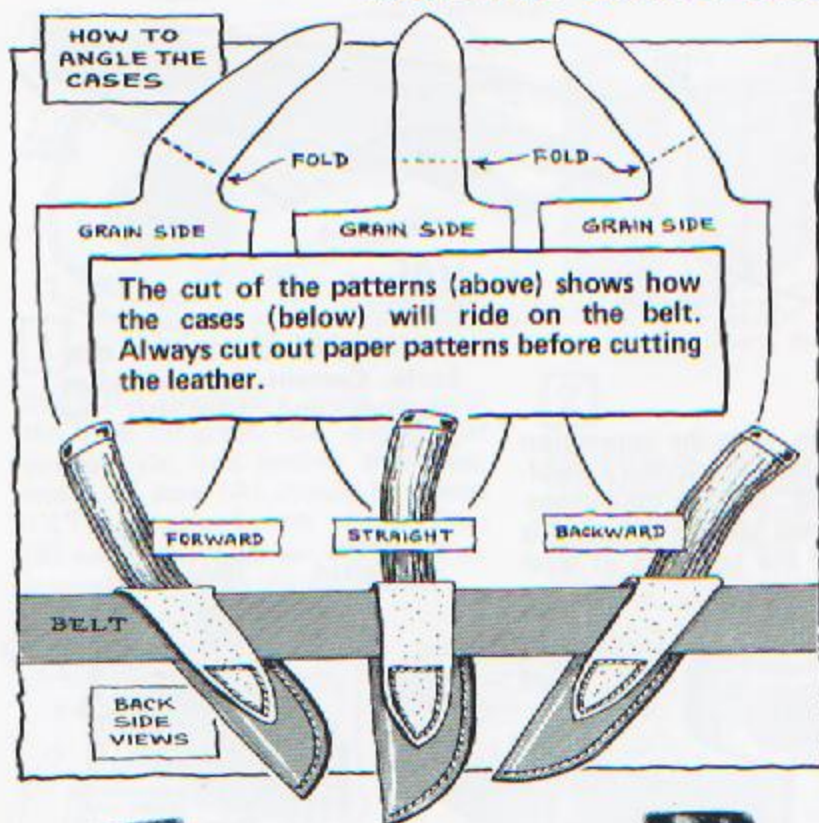


**16**

Now punch a small hole just inside the stitches, as shown. Install a small copper rivet, and rivet in place. The purpose of this rivet is to protect the stitches from the blade. Being copper, the rivet will not damage the blade.

**SPECIAL NOTE:**  
IF SMALL RIVETS ARE NOT AVAILABLE ... MAKE YOUR OWN!  
SEE PAGE 21 FOR DETAILS

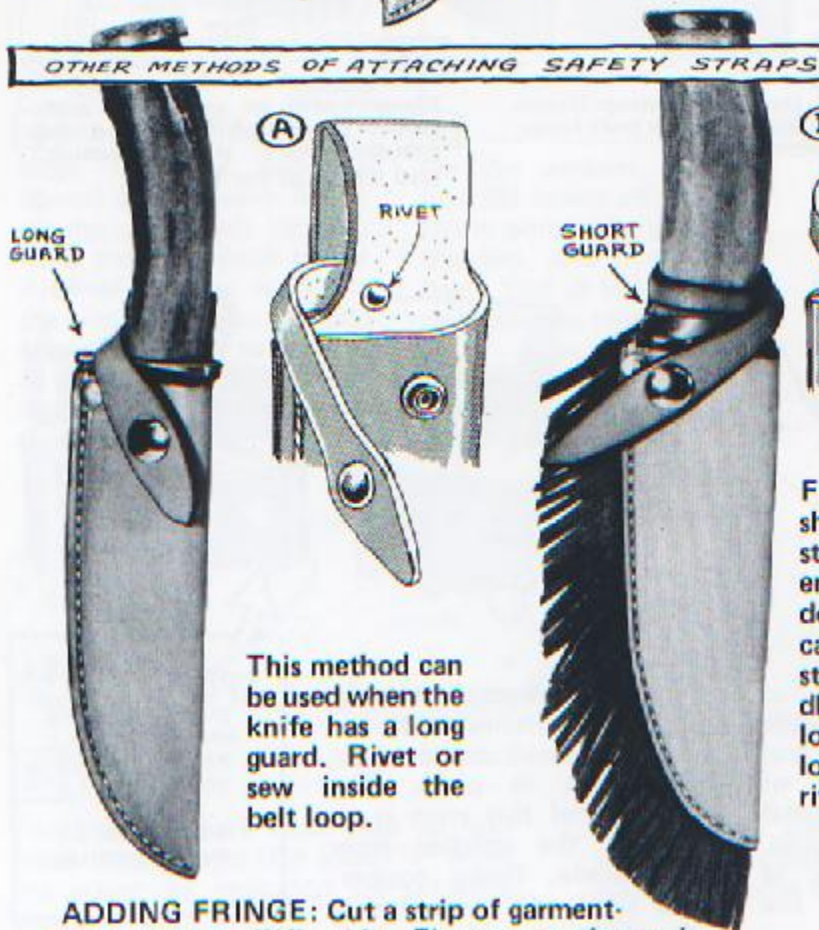
## HUNTING KNIFE CASES - Additional Suggestions



### NOT RECOMMENDED!

This method of attaching a safety strap is not recommended, as the strap tends always to be in the way of the knife blade as it enters and withdraws from the sheath. . . subjecting it to being cut! It should be inside the loop. . . as with examples shown on page 17. . . so that when unsnapped it can swing away from the blade.

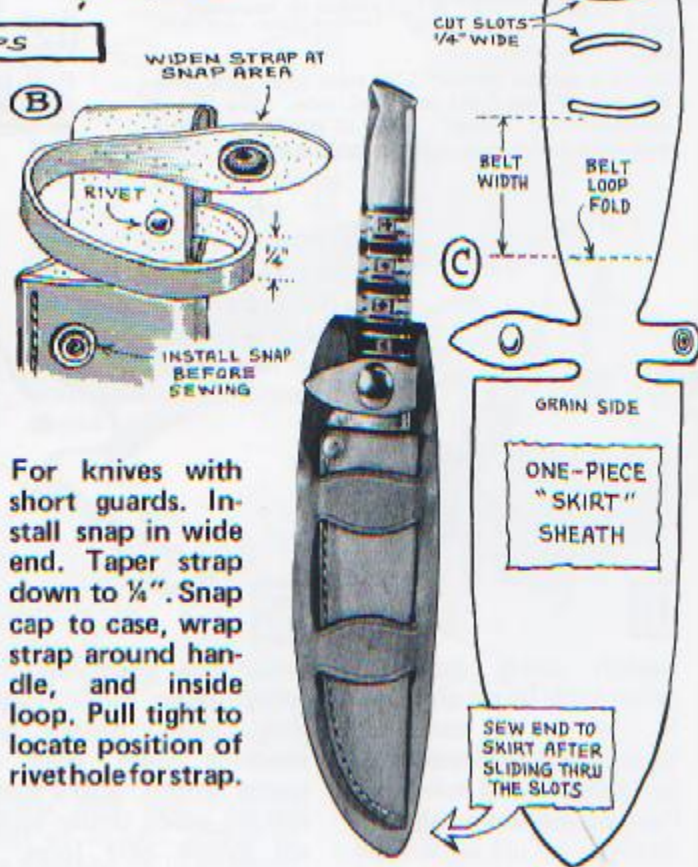
The pattern at right shows the approximate shape for the "skirt" style sheath. Slots are cut in the skirts. Sew sheath together, fold and slip through the slots. Moisten leathers to shape properly. Always make paper patterns; adjust as required.



This method can be used when the knife has a long guard. Rivet or sew inside the belt loop.

For knives with short guards. Install snap in wide end. Taper strap down to  $\frac{1}{4}$ ". Snap cap to case, wrap strap around handle, and inside loop. Pull tight to locate position of rivet hole for strap.

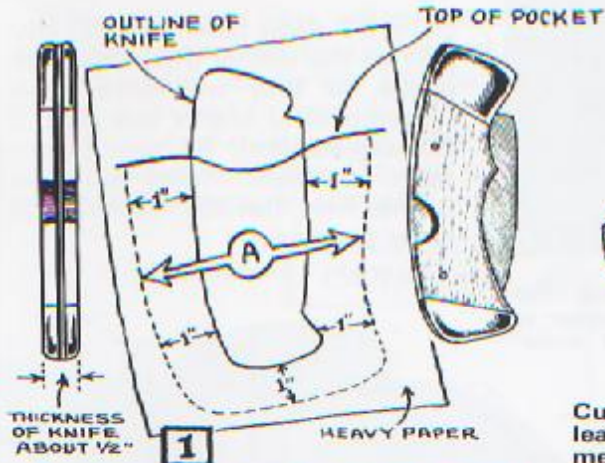
**ADDING FRINGE:** Cut a strip of garment-type leather  $\frac{1}{4}$ " wide. Fit case as shown in step 10, page 17; burnish edges. Glue  $\frac{1}{4}$ " of the edge between case leathers and sew all together. Cut fringe with a knife.



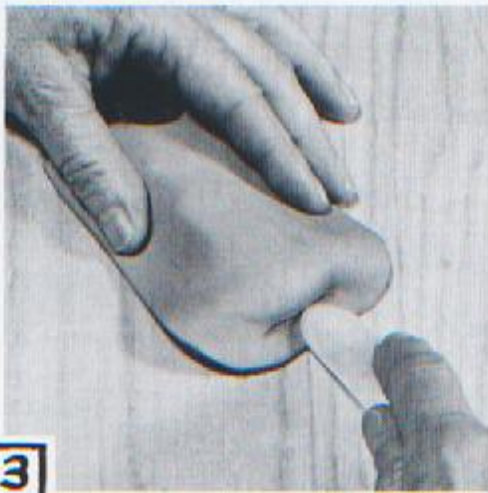
The strap, here, is incorporated in the pattern. Cut the ends long and trim after fitting around the knife handle.

## FORMING CASES - Folding Knife

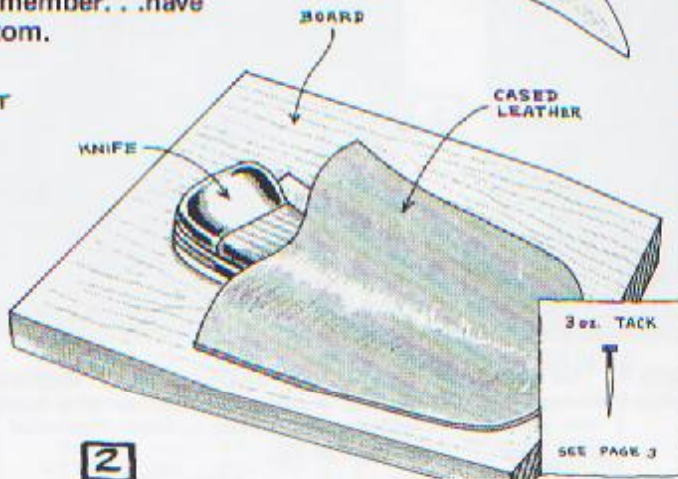
With this case we will begin instructions on forming (shaping) the leather directly over the article to be encased. Here, the leather to be formed will have to be properly "cased", for best results. Have the leather cased before beginning. See page 3 for casing instructions. For this project, use 6-7 oz. cowhide. Remember... have the smallest end of the article at the bottom.



Trace around the knife on a sheet of paper. Draw a line across, where you wish the top of the pocket to be. Mark the pattern outline (A) one inch from knife outline. This is about double the knife thickness. A good RULE-OF-THUMB to follow "double the thickness, of the article, to the pattern edge".



Hold the leather down firmly against the sides of the knife. Begin pushing leather against the bottom of the knife with the bone folder. Work back and forth and crease along the end, up tight against the knife. . . this will be the sewing line. If properly cased, the leather will readily respond.



Cut out the pattern; cut out the leather and case it. Have tacks, hammer, bone folder ready. Place knife on a board, and the cased leather in position (as above).

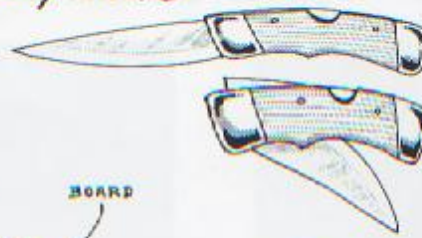


Drive a couple of tacks in the crease and into board. Begin working a corner, pushing firmly against the knife.



Crease firmly, add a tack and begin working at next corner. If the leather resists forming, it may be too dry. . . or still too wet. Add moisture or allow to set a bit if too wet. Continue working the leather until it responds.

Add a tack at the corner and continue pressing and creasing up the side. Hold the leather firmly in place as you push in with the bone folder. Bear in mind that the case must not be narrower at the top, than the bottom, or the knife cannot withdraw from the case. (continued)



FOLDING KNIFE CASE.

## FOLDING KNIFE CASE - Continued



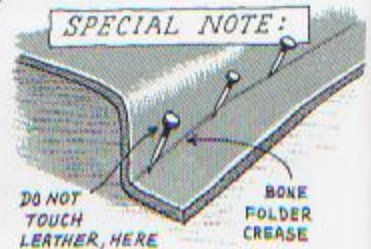
**7**

Place tacks in side (step 6). This aids in holding the case while finishing the near side.

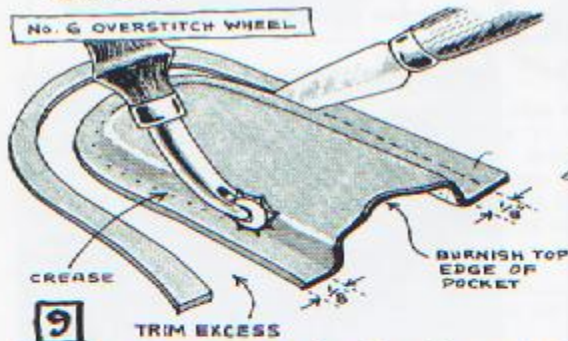


**8**

Complete shaping and tacking. Remove knife and allow the leather to thoroughly dry. See "special note" ...page 22.

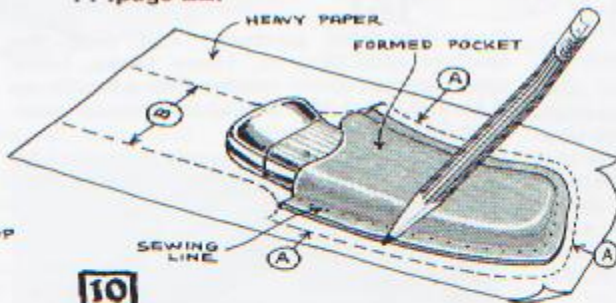


DO NOT allow tacks to touch any part of the leather other than the crease, or they will make black (unremovable) marks (see page 3 for explanation). Be sure to put tacks in crease. . .they will stain leather here, but the stitching will cover the marks.



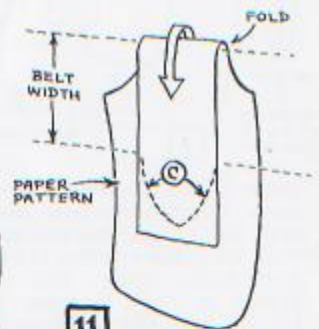
**9**

When dry, remove tacks. Burnish pocket edge. Trim edge 1/8" away from crease. "Wheel" the crease; this is your sewing line.



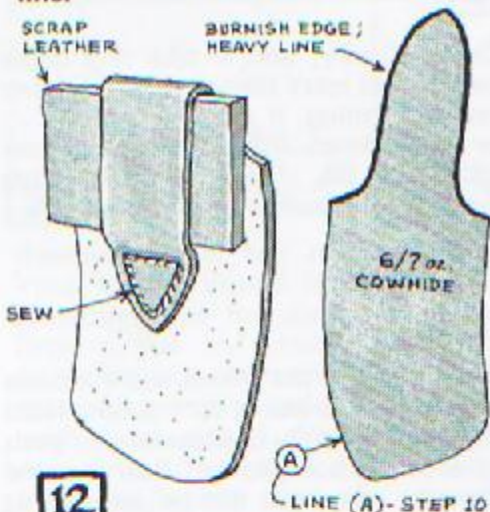
**10**

Lay knife and pocket on paper and draw around the outline. Draw a line (A) 1/8" outside pocket. . .we want the back leather oversize. Lines (B) indicate width of belt loop, which must be narrower than the sewing line of the case.



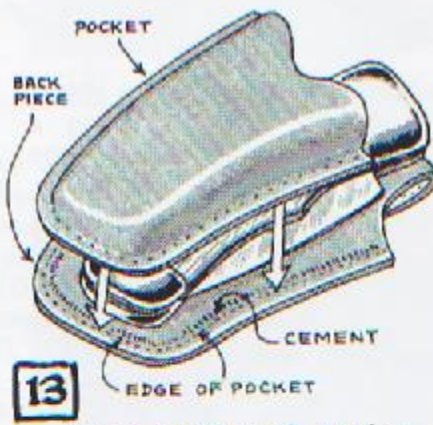
**11**

Cut out the paper pattern. Turn over and fold for the belt loop (see previous instructions). Trim the end; lines (C).



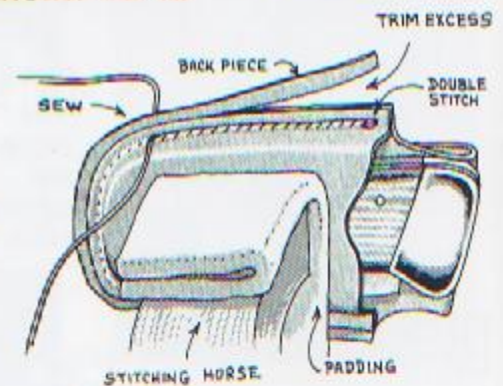
**12**

Cut the leather from 6-7 oz. cowhide. Be sure to cut it oversize (step 10) to insure having ample. Burnish as indicated. Moisten, and fold belt loop over. Sew in place.



**13**

Place knife and pocket on back piece, and mark around the pocket edge to the back piece. Apply cement and adhere in place. Back piece edge should protrude.



**14**

Place in stitching horse and sew. . . with knife in case. Trim off excess and burnish the edge. Case is complete.

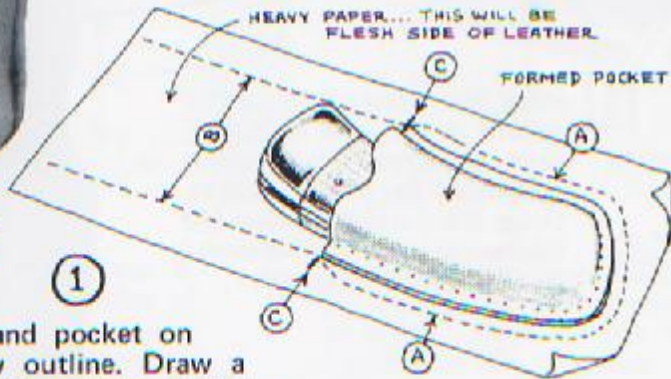
NOTE: If desired, back piece can be trimmed off flush with pocket edge after cementing. A sewing channel can then be gouged on back side to recess stitching.

## FOLDING KNIFE CASE - With Flap

We will show you how to add a flap to the case presented on page 19. Follow all instructions (pages 19-20) from 1 through 9. The pocket will be completed, at this point, as shown in the photo at left.

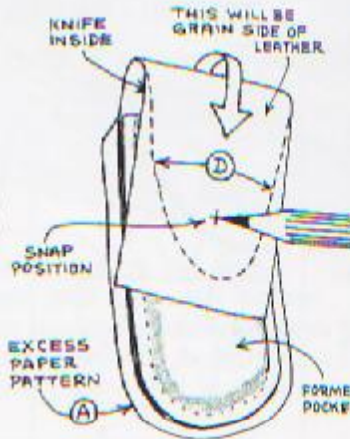


FORMED POCKET FROM STEP 9 ON PAGE 20



1

Lay knife and pocket on paper; draw outline. Draw a line (A) 1/8" outside pocket. . . taper in flush with top edge of pocket. Draw lines (B) straight up from outside edges of pocket. This is for the flap.



2

Cut out the paper pattern and fold over as shown above. Draw a line (D) to shape the flap. Mark position of snaps, press through paper to imprint leather.

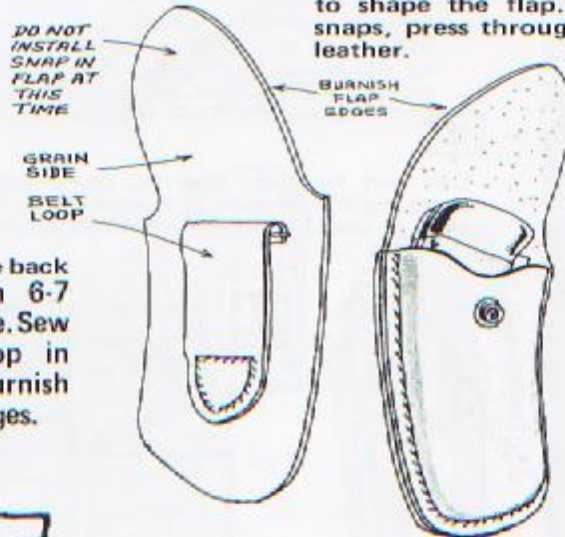


FOLDING KNIFE CASE - WITH FLAP -



3

Punch a hole and install the stud part of snap to case. "Set" against a metal surface.



4

Cut out the back piece from 6-7 oz. cowhide. Sew a belt loop in place. Burnish the flap edges.

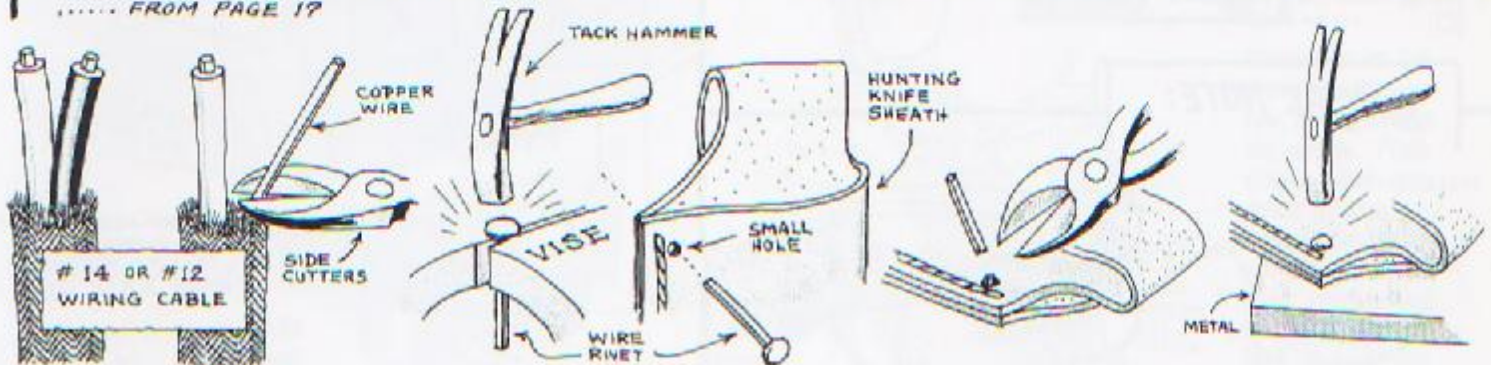
5

Complete the case as shown in steps 13 and 14, page 20. Fold flap over knife, locate position of flap snap and install.

NOTE: Never install a flap snap from positions shown on paper patterns, because leather always takes up more in the fold, than paper. You could be off as much as 1/4". The length of flap patterns (on paper) should usually be cut longer, to compensate for this.

## "MAKING" COPPER RIVETS

FROM ELECTRICAL HOUSE WIRING  
..... FROM PAGE 17



When small copper rivets are not available, strip the insulation from a piece of house wiring. Snip off a short piece.

Place in a vise and burr one end. Form as round as possible.

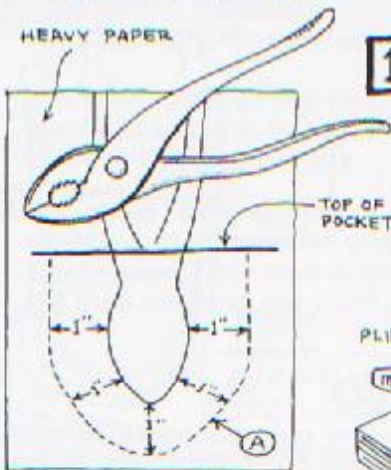
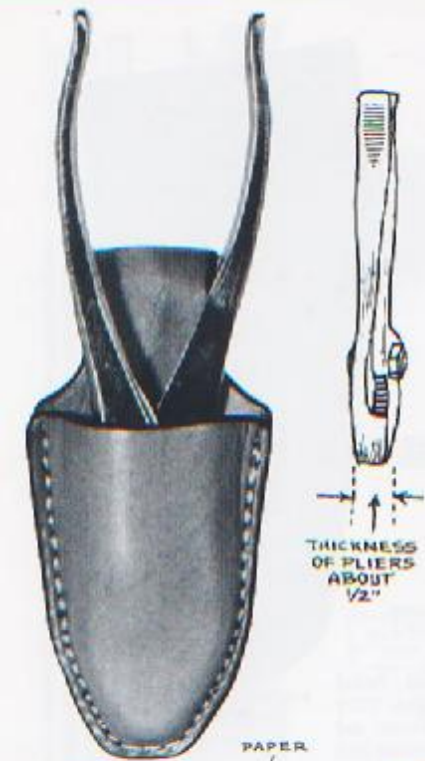
Punch, or stab with awl, a small hole (see step 16, page 17). Insert your wire rivet in place.

Turn over and snip rivet off fairly close to leather. Place on riveting surface.

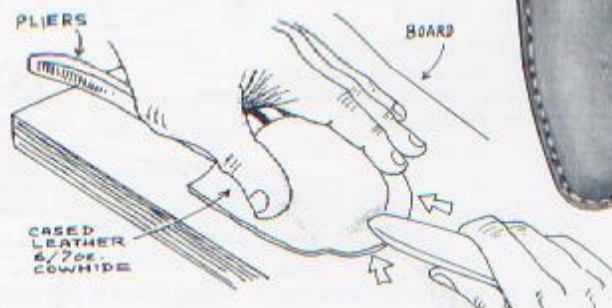
Burr the end by tapping with a small hammer. This serves same purpose as rivet on page 17.

## PLIERS CASES

These cases are formed in the same manner as those on pages 19 and 20. We present them to show the same technique applied to a different article, with added suggestions, hoping they will be useful for any similar type case you wish to make. Properly cased leather is of importance. . . see page 3.



**1** Here, the pattern making procedure is the same as step 1, page 19. Draw around pliers and mark for top of pocket. Draw the pattern outline (A) following the "rule-of-thumb" instructions on page 19.

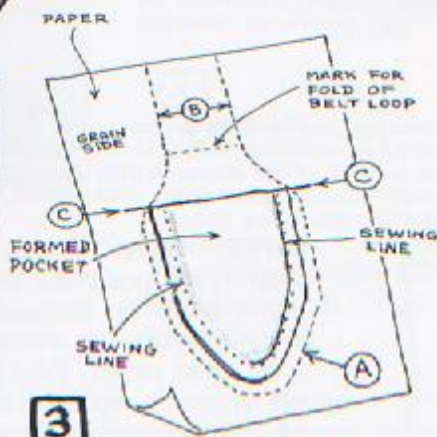


**2**

Cut out leather; case it. Place over pliers, on a board and begin working the leather at the bottom. The forming instructions are identical to steps 2 through 9 on pages 19 and 20.



COMPLETED POCKET.... READY FOR ASSEMBLY



**3**

Place pliers and pocket on paper and make pattern same as step 10, page 20. Line (A) is 1/8" outside pocket edge. Lines (B) form belt loop which must be narrower than sewing lines. Mark position of pocket top (C).

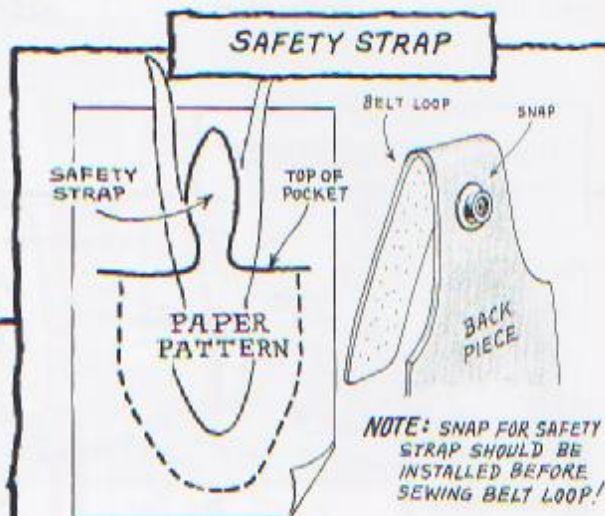
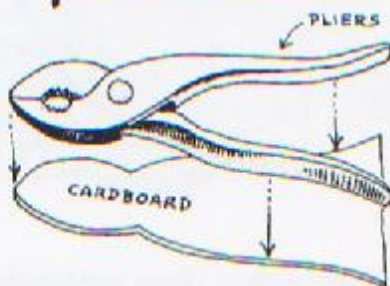


**4**

Sew the belt loop in place. . . steps 11 and 12, page 20. Complete the case as instructed with steps 13 and 14 on page 20.

### SPECIAL NOTE:

CASED LEATHER



NOTE: SNAP FOR SAFETY STRAP SHOULD BE INSTALLED BEFORE SEWING BELT LOOP!

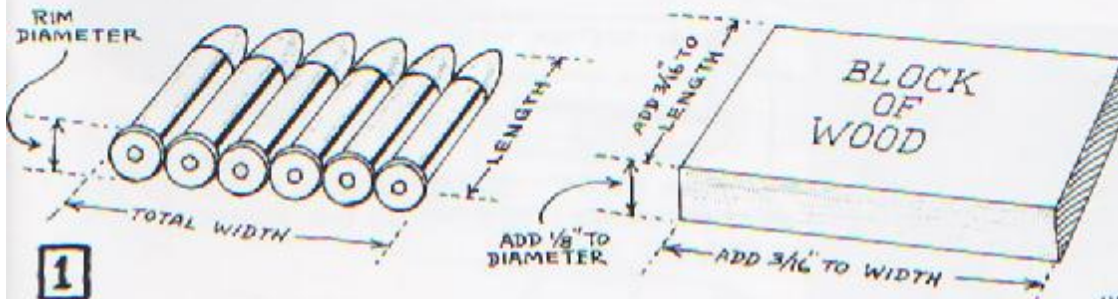
If you desire the article to fit looser in the case, cut a cardboard template (firm, illustration board 1/16" thick) to outline shape of article. Scotch tape it to the article (here, pliers) and form the leather over both. This method can apply to most any article.

When desiring a safety strap, it can simply be incorporated in the top of the pocket when making the pattern. Do not install the safety strap snap until the case has been completed, and the pliers inserted, for proper location.



## FORMING CASES - Over Wooden Forms

Forming leather over wooden forms, is the simplest and most practical method of making cases. The leather can be shaped to exact dimensions, and any number of cases can be made on the form all of identical size. Here we will begin with a six-round cartridge case (caliber .38-revolver). Have some 6 oz. cowhide already cased for this project.



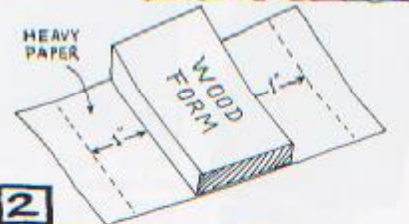
**1**

Decide on the number of bullets for your case. Lay them out on the bench, with rims touching each other. Make measurements shown, and cut a block of wood to the suggested dimensions. This allows clearance within the case for free movement of the cartridges. Plywood (of various thicknesses) makes good forms. If thickness is not quite enough, you simply glue a piece of cardboard, or leather (of proper thickness) to the block to equal desired thickness.



DOUBLE FLAP  
CARTRIDGE CASE

LOAD IN TOP  
UNLOAD FROM BOTTOM



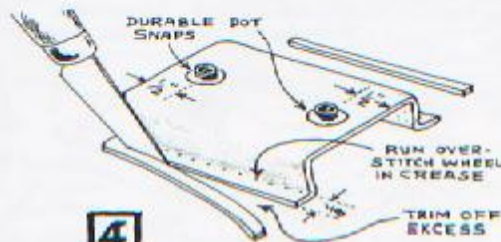
**2**

Make paper pattern. Since the case will be open at both ends, paper is cut flush as shown. If form is about  $\frac{1}{2}$ " thick, add one inch at each side.



**3**

Cut the cased leather and shape over the form with bone folder. Tack in place; allow to dry on the wood form.

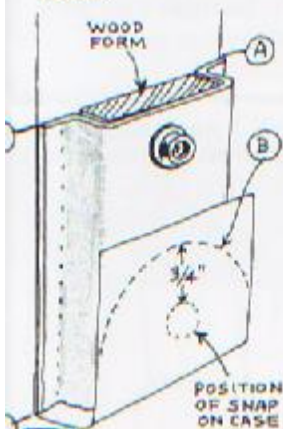
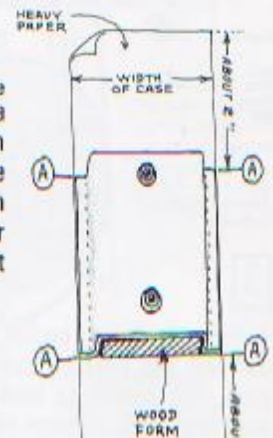


**4**

Trim excess  $\frac{1}{8}$ " from the creases at sides. "Wheel" for sewing. Burnish open ends. Install the snaps  $\frac{1}{2}$ " from the edges.

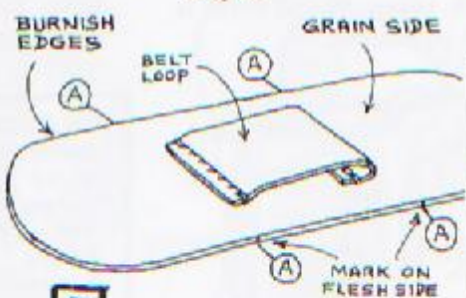
**5**

Cut a paper pattern the width of the case and a full 2" longer at each end. Place the case (with form) centered on paper and mark all four edges (A) as shown at right.



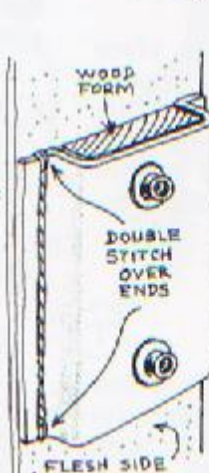
**6**

Fold end of paper over case and mark a trim line (B) about  $\frac{3}{8}$ " beyond edge of snap. Repeat opposite end.



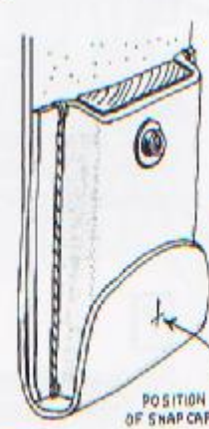
**7**

Cut the back from 6 oz. cowhide. Mark positions of case edges (A) from step 5, on flesh side. Make and sew a belt loop between these marks. Burnish all edges.



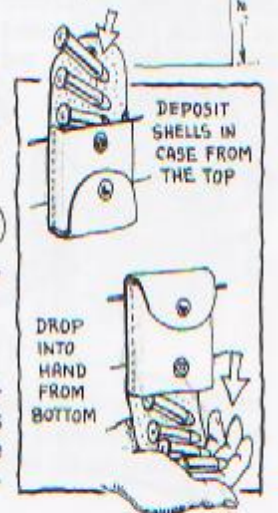
**8**

Cement the case to the back, between marks (A). Align edges. Sew in place and burnish sides.



**9**

Fold flaps up, locate snap positions and install. Remove form. Case is complete.



## CARTRIDGE CASE - Drop Pouch

This is another form of cartridge case that will utilize the same wooden form on page 23. Follow previous instructions for shaping the cases. Since the bottom of this cartridge pocket is enclosed, additional leather is needed in this area. Make this case from 6 oz. cowhide. Case the leather for the pocket.

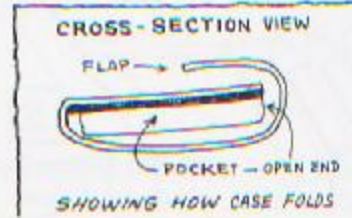


CLOSED CASE



**1**

Photo above shows pocket formed and tacked in place, over the wooden form. Trim 1/8" from tacked crease, "wheel" for sewing, and burnish edges. . . same as step 9 on page 20.

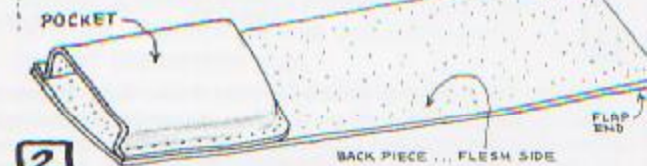


CROSS-SECTION VIEW

FLAP

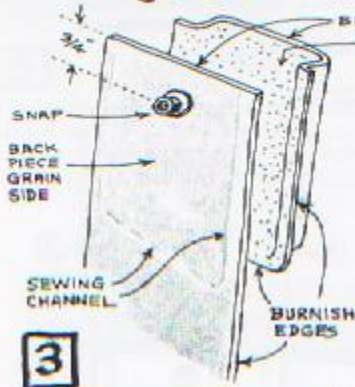
POCKET - OPEN END

SHOWING HOW CASE FOLDS



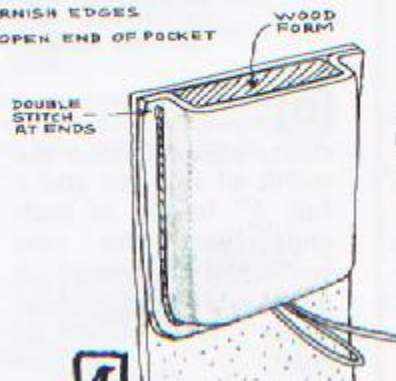
**2**

Cut the back piece to width of pocket, and long enough to fold around, as in cross section view. Always cut flap ends amply long. NOTE: Pocket is shown here trimmed, burnished, "wheeled" for sewing and ready to install.



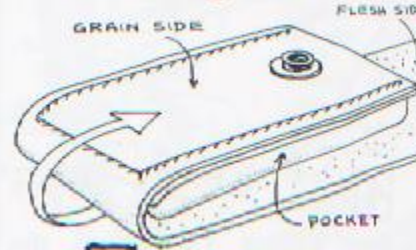
**3**

Burnish all edges of pocket, and end and sides of back piece. Fit pocket to back piece and locate position of sewing channel at bottom of pocket. Gouge sewing channel in back piece, and install snap, as shown.



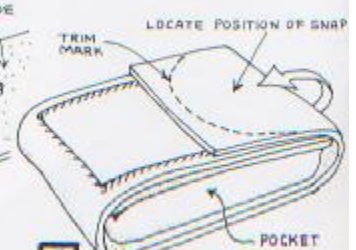
**4**

Cement pocket in place with wood form inside. Sew to back around the sides and bottom, with stitching coming out in channel of the back side.



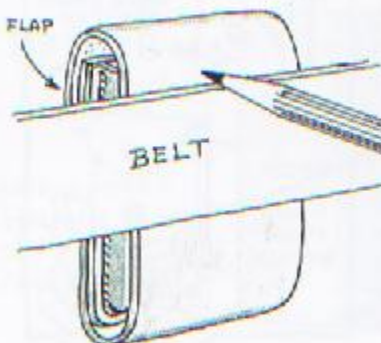
**5**

After sewing, fold the pocket in against the back piece. Wood form is still in pocket.



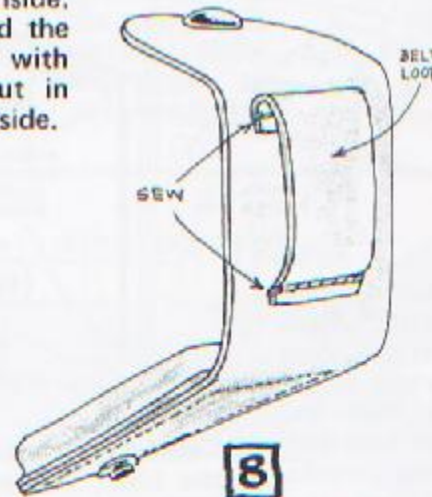
**6**

Fold flap over tightly. Locate snap position, mark for trim. Trim, burnish end and install snap.



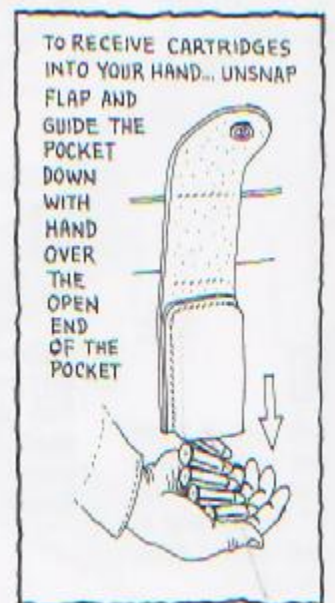
**7**

Snap case together. Turn around and hold a belt in position you wish the case to ride. Mark for belt loop.



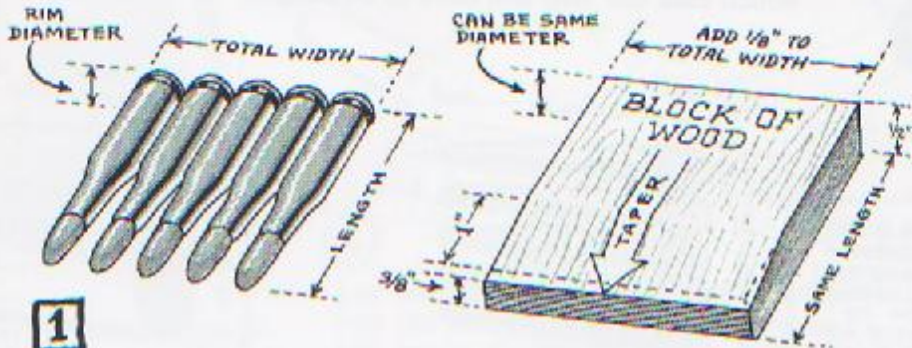
**8**

Unsnap case and sew belt loop in place. Remove the wood form. Case is complete.



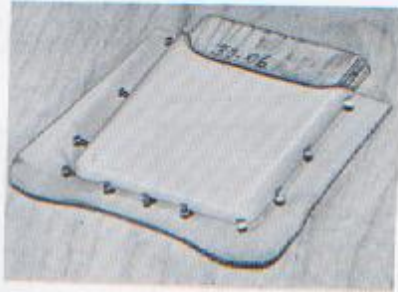
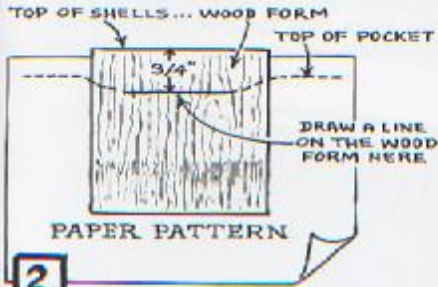
## TWO-LEVEL SHELL CASE FOR RIFLE CARTRIDGES

This case is constructed similar to the one on the opposite page. However, the pockets are reversed so the shells do not fall out when dropped down. Make a wood form, shape the pockets, follow instructions below. Cut all parts from 6-7 oz. cowhide.



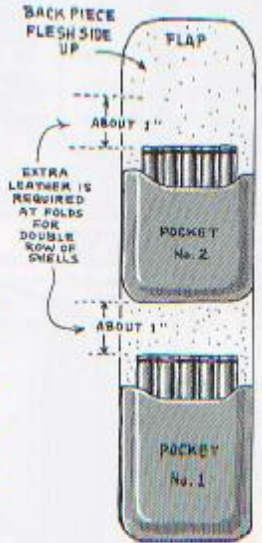
**1**

Make the wood form as suggested above.  $\frac{1}{2}$ " plywood (thickness) will do for most rifle cartridges. Since rifle shells taper, the wood can be tapered also.

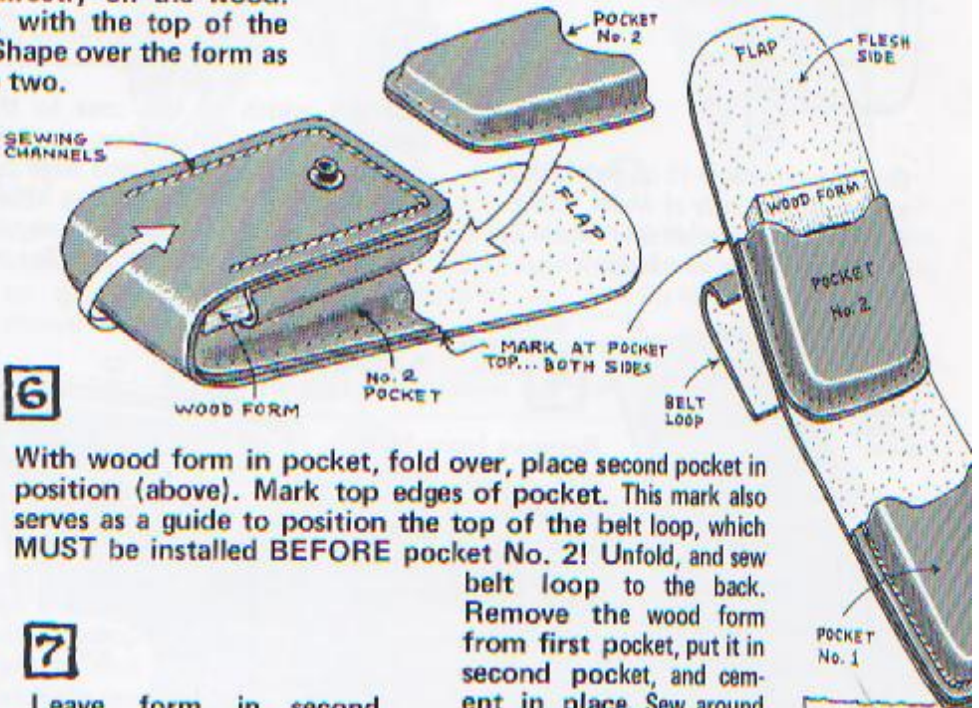
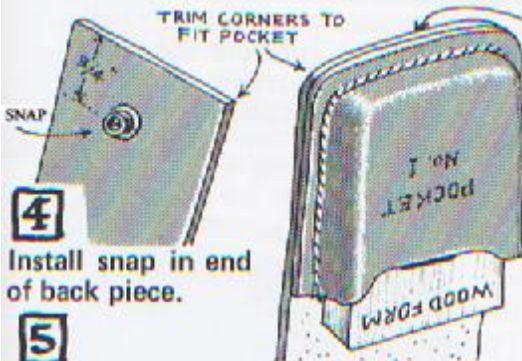


**3**

Prepare pockets ready for assembly as shown on opposite page. Cut the back piece to pocket width and about  $11\frac{1}{2}$ " long; be sure to have enough for flap. The sketch at right suggests how to determine the length of the back piece.



Since we want the top of the shells to protrude from the pocket, cut pattern as shown. Mark a top line directly on the wood. Shape the cased leather over the form, with the top of the pocket on the mark on the wood form. Shape over the form as previously instructed. Tack in place. Make two.

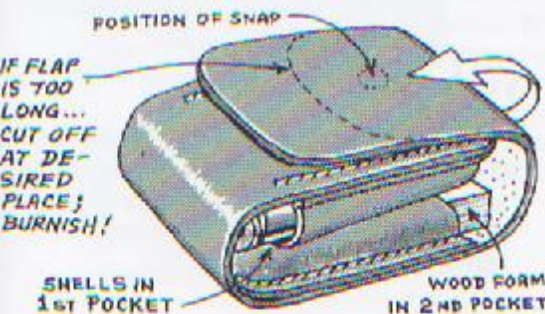


**5**

Cement pocket, to end, on flesh side. Align edges, trim corners. Gouge channel on back; sew.

**6**

With wood form in pocket, fold over, place second pocket in position (above). Mark top edges of pocket. This mark also serves as a guide to position the top of the belt loop, which **MUST** be installed **BEFORE** pocket No. 2! Unfold, and sew belt loop to the back. Remove the wood form from first pocket, put it in second pocket, and cement in place. Sew around the pocket. Double stitch over the ends of both pockets.



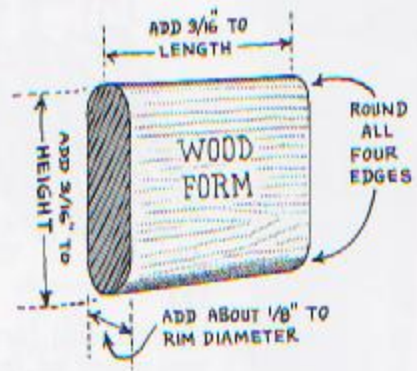
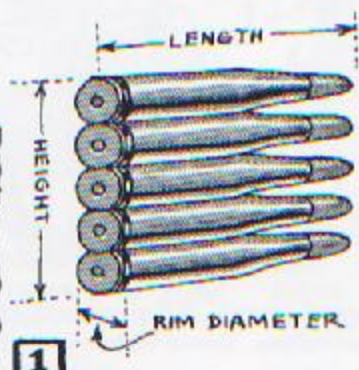
**7**

Leave form in second pocket. Place shells in first pocket and fold together, tightly, to locate position of snap. Mark for any trimming of flap. Install snap.

BURNISH ALL EDGES AFTER SEWING

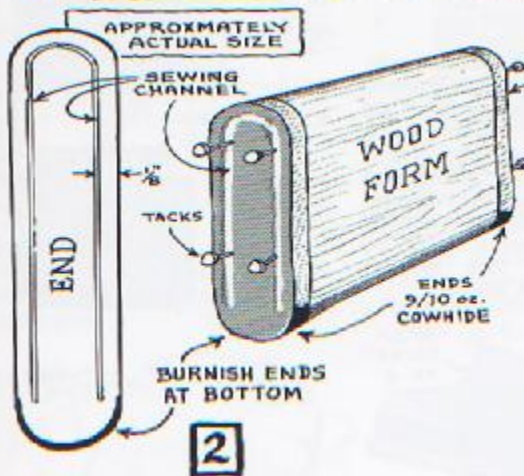
## Bottom Drop CARTRIDGE CASE

This belt case is designed for speedy removal of rifle cartridges. . .dropping into your hand (from the bottom) upon release of the catch. The leather is folded over the wooden form, rather than shaped. Cased leather is not required. If a tuck-catch (shown in photo) is unavailable, use a Durable Dot fastener. . . in which case the flap will have to be longer.



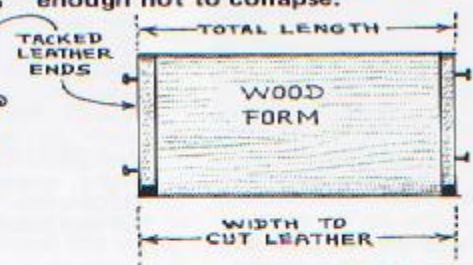
**1**

Since the cartridges should fall freely from the case, the wood form should be made to dimensions above. The body of the case can be cut from 6 oz. cowhide. The ends will be cut from 9-10 oz. cowhide, as they should be stiff enough not to collapse.



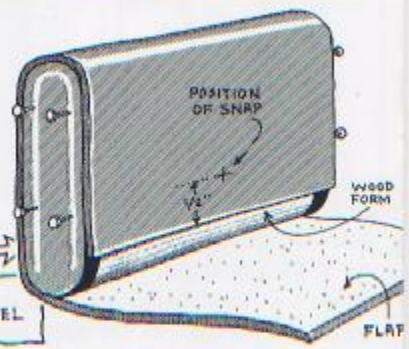
**2**

Cut two end pieces (9-10 oz. cowhide) to same size as ends of wood form. Gouge sewing channel; do not "wheel". Tack to ends of the form as shown.

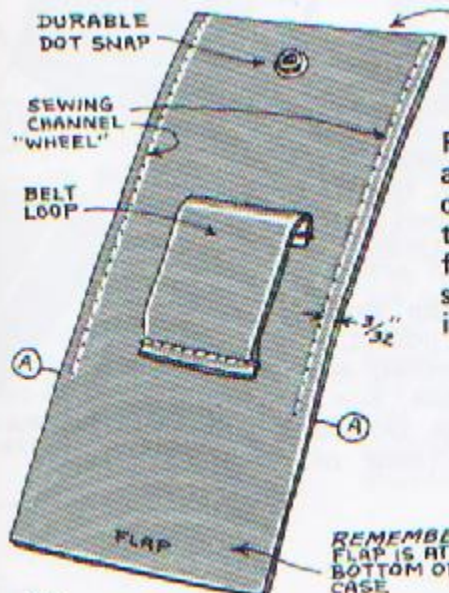


**3**

MARK FOR ENDS OF SEWING CHANNEL

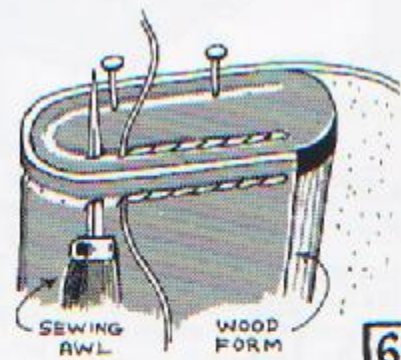


Cut the width of the case to the exact dimensions shown in the sketch (total length). Cut it long enough to wrap around the form (at right) with ample for flap. Place end near bottom, as shown, and fold tightly around the form. Where the sewing channels terminate, at bottom, mark the case (on back) at each side. The sewing channels, on the case, will terminate at these marks. Mark back side for belt loop.

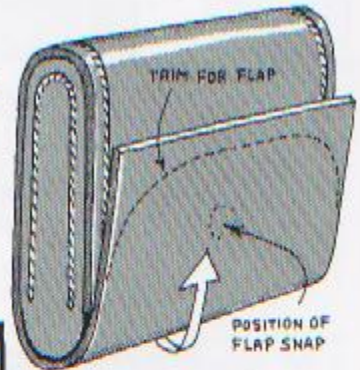


**4**

Remove from form and gouge sewing channels, terminating at (A) marks from step 3. Install snap. Sew belt loop in place.



**6**



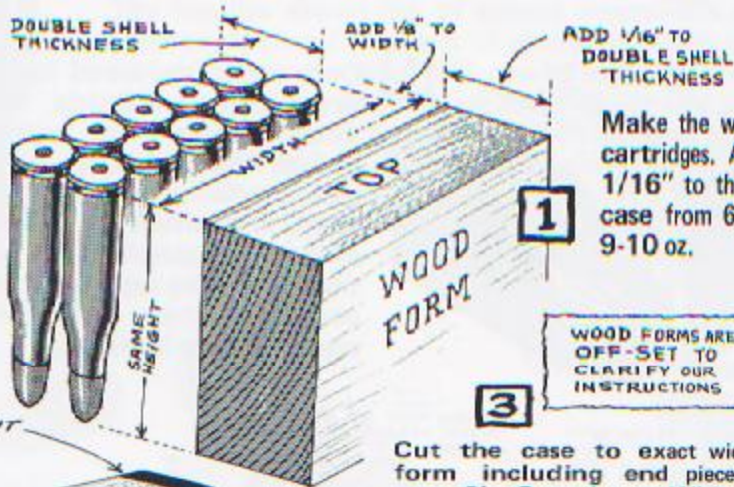
**5**

Cement case edges to the end pieces, in position (step 3). Sew through leathers at 45 degree angle. Although this is not a miter joint; sewing is exactly the same: (see HS, page 22).

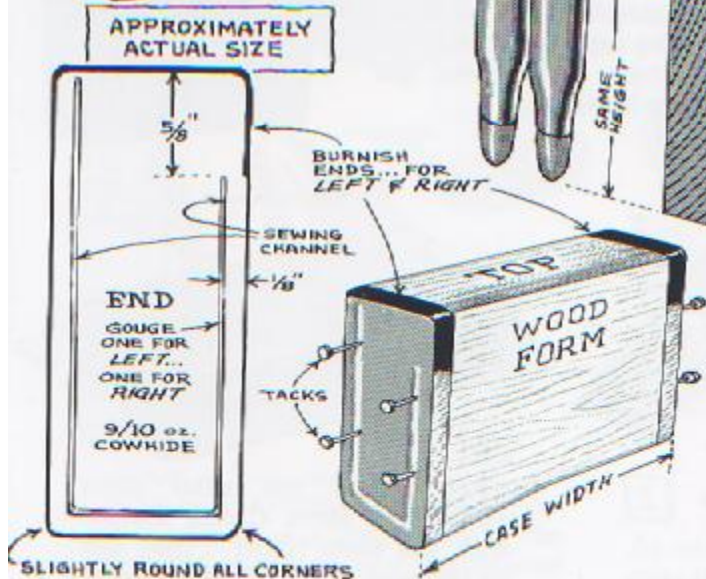
Fold flap up, mark for snap and install. Trim flap edge. Edge and burnish sewn edges and the flap. Case is complete. Remove wood form. See page 37, if difficult to remove.

## 10 SHELL CARTRIDGE CASE

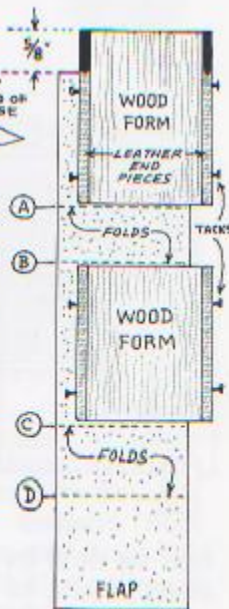
This case is similar in construction to the one shown on the opposite page. It differs in that it is more box-shaped and the rifle cartridges are removed from the top. It holds 10 shells but can be made for 5 shells by simply reducing the thickness by  $\frac{1}{2}$ .



Make the wood form same height as the cartridges. Add  $\frac{1}{8}$ " to the width, and  $\frac{1}{16}$ " to thickness as suggested. Cut the case from 6 oz. cowhide, the ends from 9-10 oz.

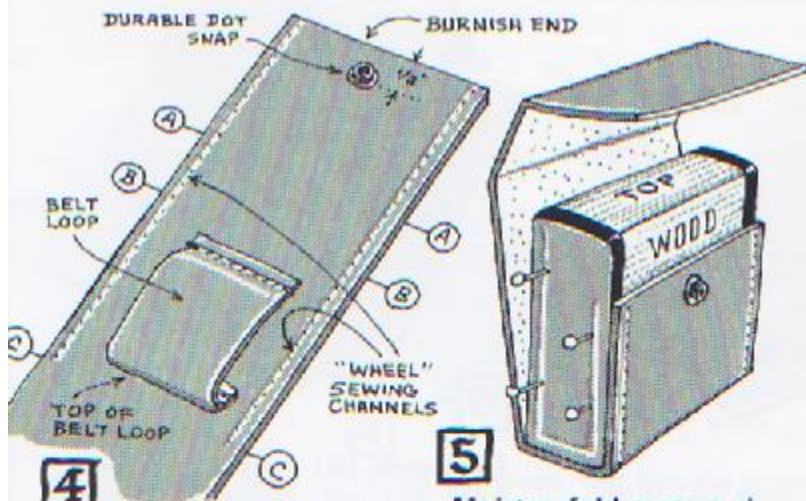


3 Cut the case to exact width of form including end pieces (see step 2). Cut about 10" long. To locate folds, study the sketch at right. Pursue the following instructions: Place wood form (with end pieces) on leather, overlapping end  $\frac{5}{8}$ ". Make a gouge on flesh side at (A). From (A) to (B) is  $\frac{1}{8}$ " more than thickness of form. Place form at gouge (B). Make gouge (C)  $\frac{1}{16}$ " beyond form. From (C) to (D) is  $\frac{1}{8}$ " more than thickness of form. Gouge (D). Remainder is for flap.



2 Cut end pieces to same size as block. Prepare as suggested, and tack to ends of wood form. Be sure to gouge channels and burnish for a LEFT and a RIGHT.

SEW UP TO TACK BEFORE PULLING



6

Place in stitching horse, sew through leathers at a 45 degree angle. Although this is not a miter joint, sewing is exactly the same: (see HS, page 22). Also (see HS, page 28) for sewing around corners at the bottom.

7

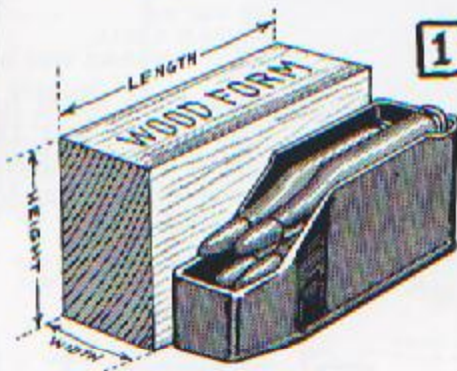
Fold flap, locate snap and install. Trim and shape the flap. Edge and burnish all edges. See page 37 for separating the cartridges with cardboard dividers.

4 Gouge sewing channels (grain side) only as far as folds (C). Install belt loop between folds (C) and (B).

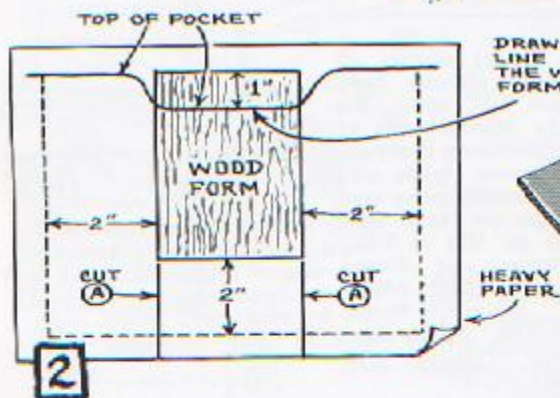
5 Moisten fold areas and crease sharply with hammer or bone folder. Glue the case leather to the end pieces. Align the edges.

## MAGAZINE BOX CASE FOR RIFLE CARTRIDGES

This case presents a different technique in forming the bottom of the pocket. We offer it to increase your knowledge of case making. The same principles can be applied to larger cases, of box-type construction. On heavier leather, the edges (step 8) can be beveled to form the miter joint.



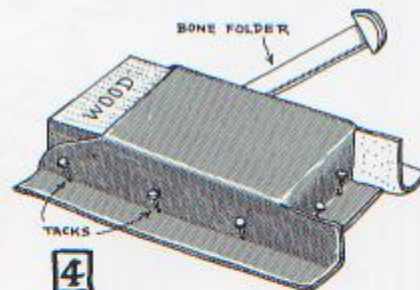
**1** Once again, the wood form is cut larger than the article. We illustrate the form as rectangular, though the article has a tapered end. The form can be made to this taper, if desired. We offer it, as shown, to simplify our instructions. Cut the leather from 6 oz. cowhide. . . case a piece for the pocket before beginning.



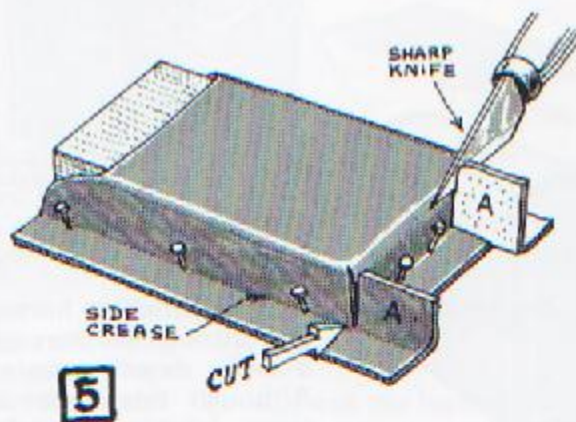
Since the top of the magazine box should protrude, for easy removal, cut the top of pocket as above. Mark two lines (A) down from corners, and the width of the form. These will be cut in the leather pocket. With our rule-of-thumb: "double the thickness" (step 1, page 19) cut the pattern 2" all around, as this form is about 1" thick. Actually, the thicker the form (or article) the less this rule applies. Here, 1½" would be enough, but it is always best to have too much leather than not enough. Through experience you will learn how to cut patterns, for various articles, to have enough covering and ample at the edges for sewing. At the top of the pocket, you'll note we have turned the pattern up at the sides. . . to add some protection for the magazine box when encased.



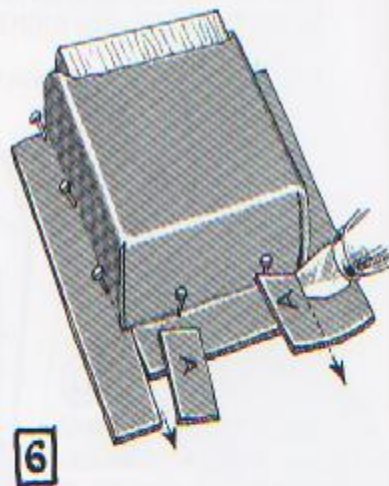
**3** Cut the cased leather from pattern (step 2). Lay wood form on a board, place pocket in position and press bottom tight against form. Tack in place.



**4** Next, shape the sides tight against the form. Crease sharply with the bone folder. . . this will be the sewing line. Tack in place.

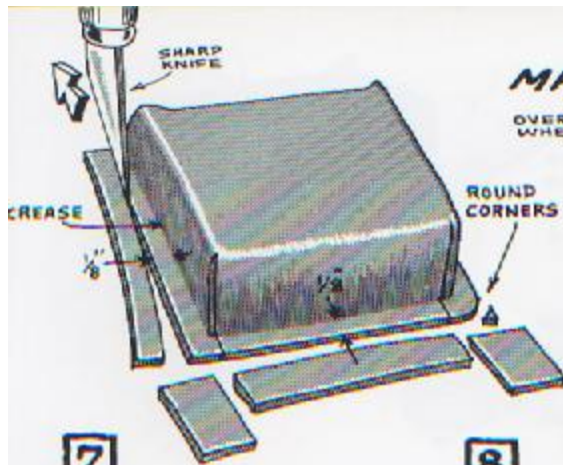


**5** Now make cuts on ends (A) flush with the outside of the bottom leather (as above). Cut down to the side creases.



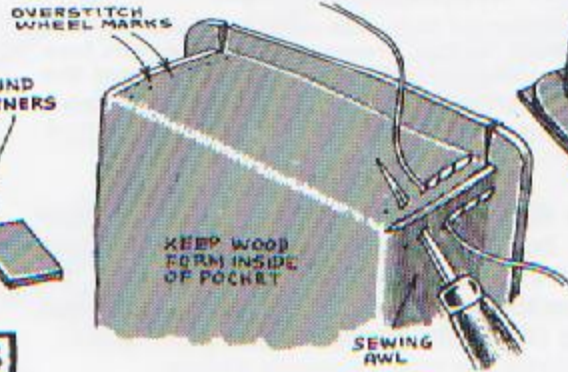
**6** Fold ends (A) inward and carefully cut off, paralleling edges of bottom leather. Trim, as required, so leathers are flush and abut each other.

## MAGAZINE BOX CASE - Continued



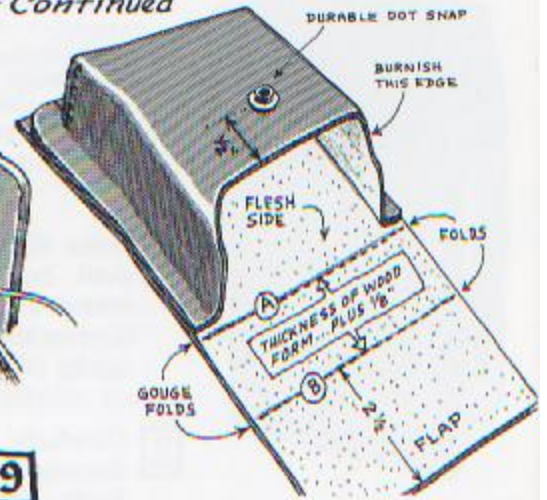
**7**

Allow to dry thoroughly; remove tacks. Trim off 1/8" from crease.



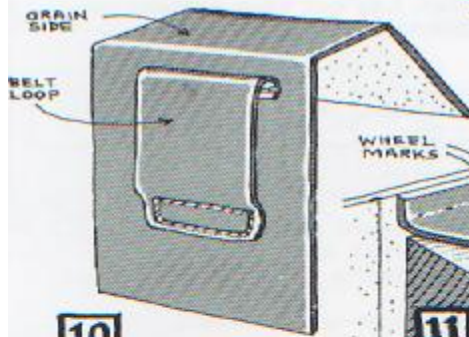
**8**

Now, with overstitch wheel, mark both edges (at bottom cuts) 3/32" from cut, where sides meet bottom. Clamp in stitching horse with wood inside, and sew as with a miter joint (see HS, page 22).



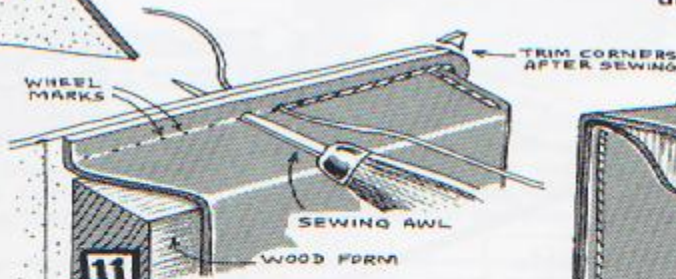
**9**

Burnish pocket edge and install snap. Cut the back piece to width of pocket with ample length for folds and flap. Gouge a fold (A) at top of pocket. Gouge fold (B). . . see above for distance. There should be 2 1/2" to 3" for flap.



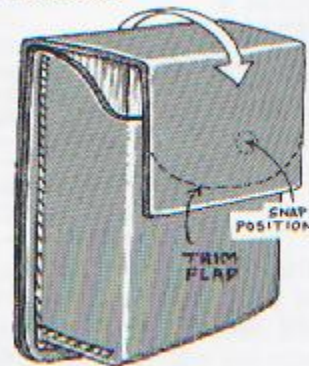
**10**

Moisten folds and crease sharply with bone folder, or hammer. Sew a belt loop to the back side.



**11**

Cement pocket in position shown in step 9. "Wheel" sewing marks around pocket. Place form in pocket, clamp in stitching horse and sew.



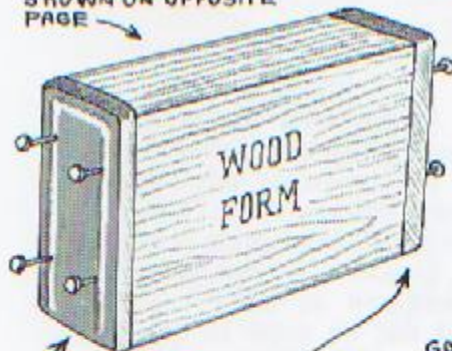
**12**

Fold flap over to locate position of snap. Trim flap as required. Burnish all edges; install the snap. Case is complete. Remove the wood form.

If you have difficulty removing wood form, see page 37.

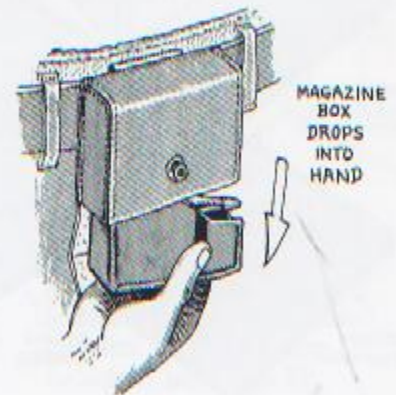
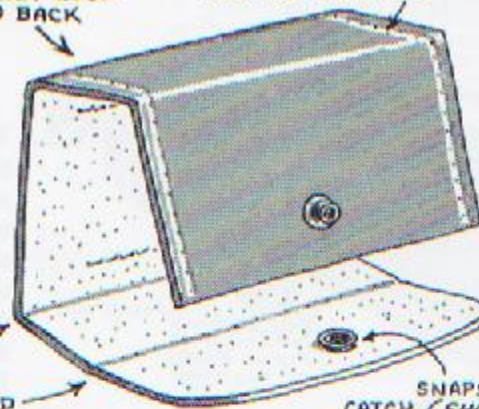
## Bottom Drop MAGAZINE BOX CASE

SAME WOOD FORM AS SHOWN ON OPPOSITE PAGE



SEW BELT LOOP TO BACK

SEWING CHANNEL



**NOTE:** The leathers and assembly procedures are identical to those shown for the cartridge case on page 26.

## SHOTGUN SHELL CASE

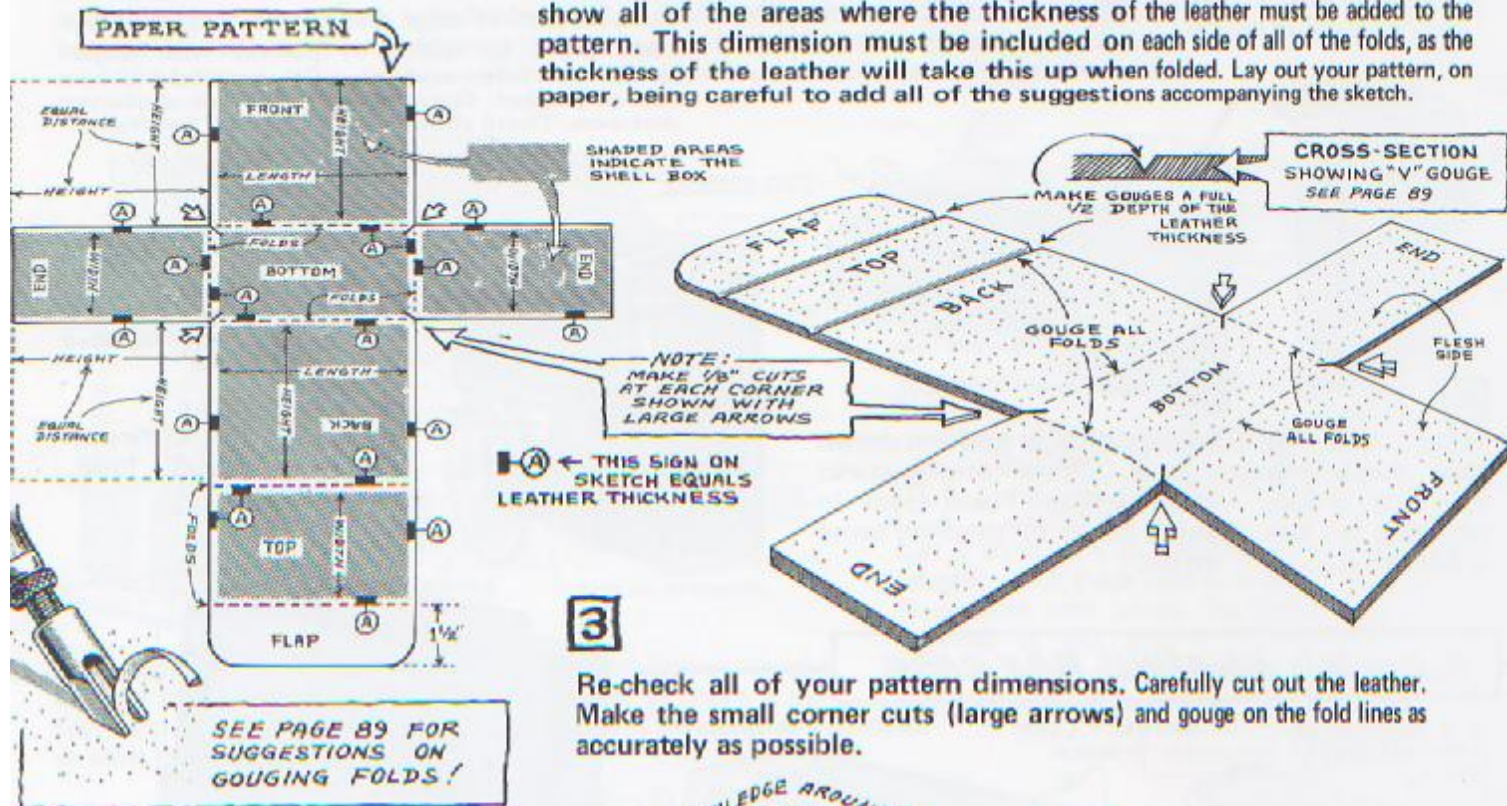
FOR BELT AND SHOULDER CARRY

The construction of this case will be similar to that with the wood forms. However, the shotgun box itself will be used for the form, instead. Leave the shells in the cardboard box. Make this case from 8-9 oz. cowhide, or heavier, if desired.

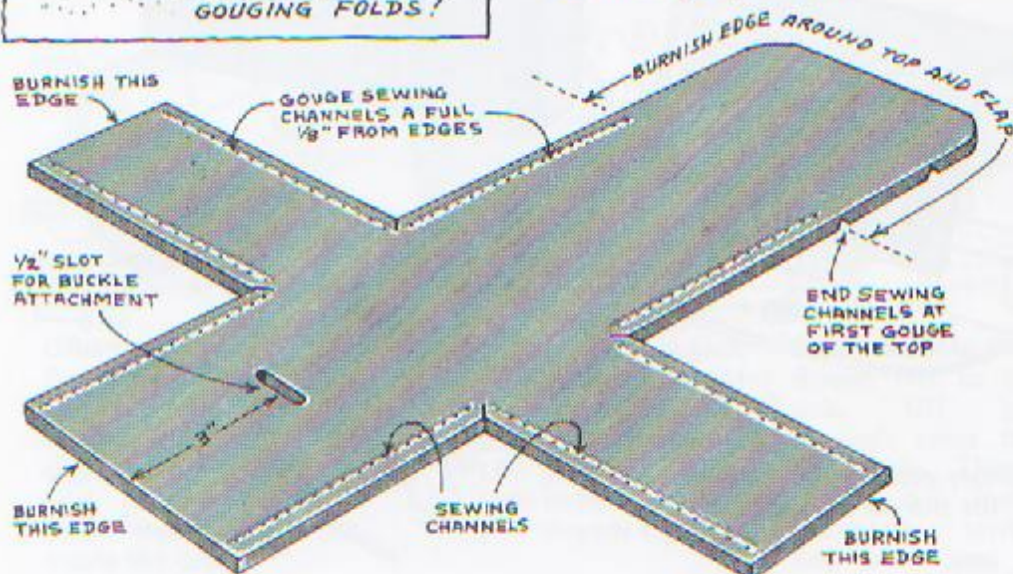
**1** Make all of the measurements of the shotgun shell box as indicated at right. To these measurements, you will have to add the leather thickness indicated by the solid black marks (A) on the sketch at left.



**2** Carefully study the pattern sketch at left. The shaded areas indicate the exact dimensions of the shell box. You'll note the top of the ends, and the front, are flush with the edge of the pattern. The black, solid marks with the letter (A) show all of the areas where the thickness of the leather must be added to the pattern. This dimension must be included on each side of all of the folds, as the thickness of the leather will take this up when folded. Lay out your pattern, on paper, being careful to add all of the suggestions accompanying the sketch.



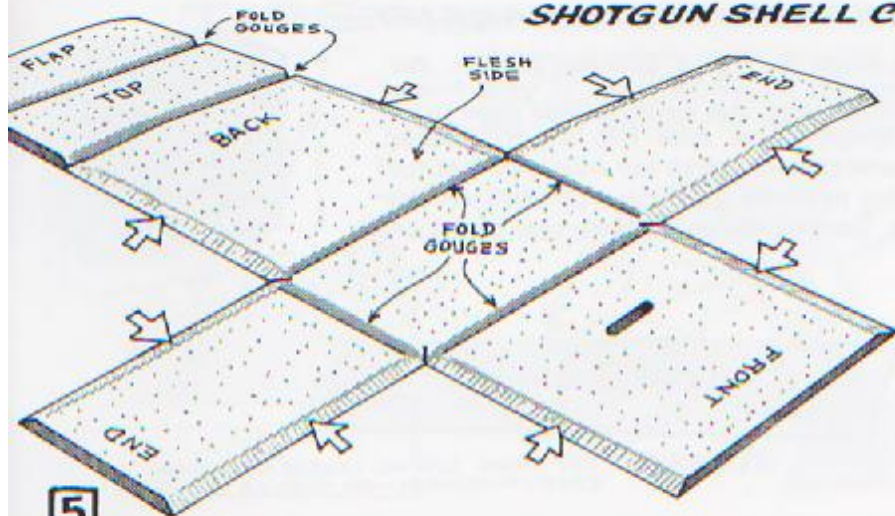
**3** Re-check all of your pattern dimensions. Carefully cut out the leather. Make the small corner cuts (large arrows) and gouge on the fold lines as accurately as possible.



**4** Turn leather over to the grain side and gouge the sewing channels, as shown at left. Mark stitching holes with No. 6 over-stitch wheel. If a buckle is to be used, punch a 1/2" slot in front as indicated at left. A snap would not be good to use, as there would be nothing to push against (for closing) if the shell box was only half full. Use a 1/2" buckle or a tuck-catch.

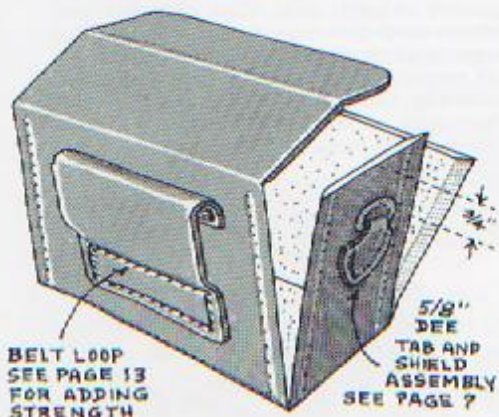
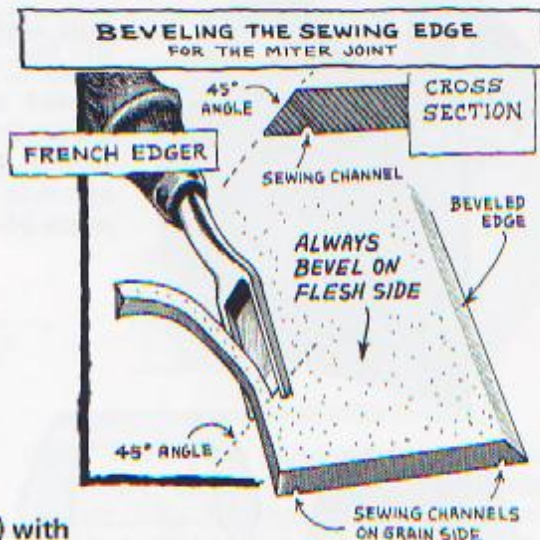


## SHOTGUN SHELL CASE - Continued



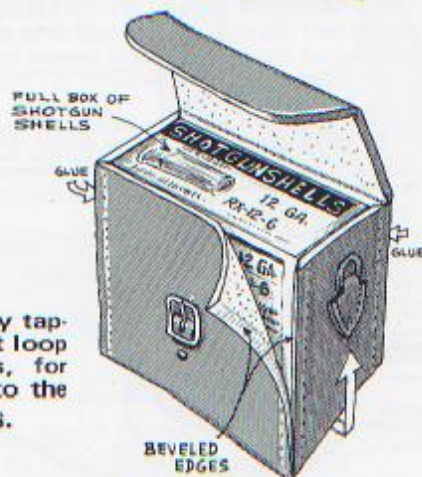
**5**

Turn leather back to flesh side and bevel all sewing edges (large arrows) with a 45 degree angle. This is done with the French Edge tool. Place leather on a hard, smooth surface and try to hold the tool at the proper angle. This beveling makes the miter joint.



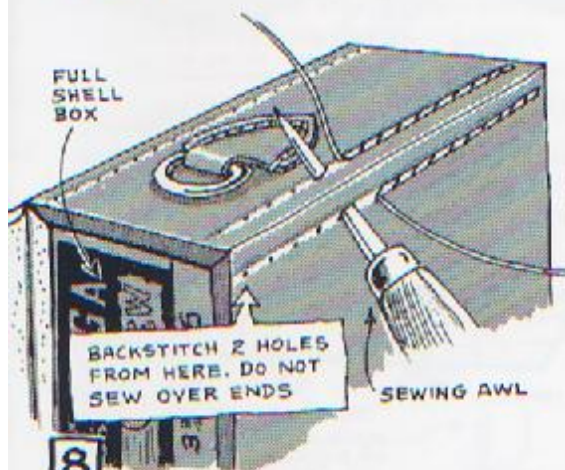
**6**

Moisten all folds and crease sharply by tapping with hammer. Install a wide belt loop to the back. Attach dees to ends, for shoulder strap. Sew or rivet buckle to the front. See page 8 for attaching buckles.



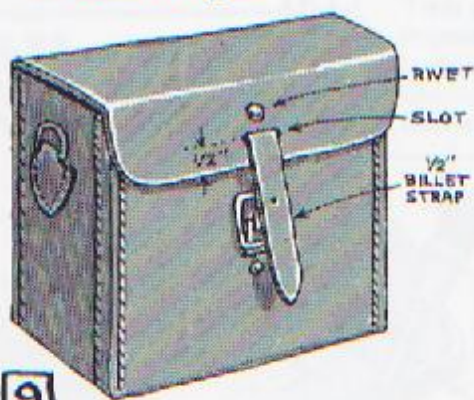
**7**

Now, apply cement to all of the beveled edges. Set the shell box on the bottom and fold ends and sides up, carefully aligning and adhering the beveled edges.



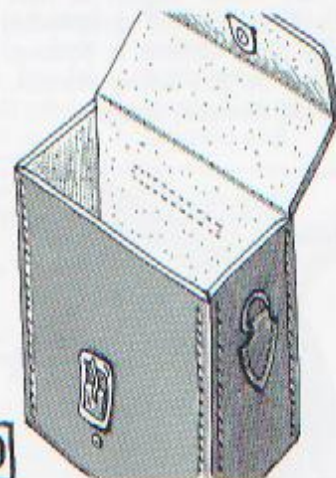
**8**

Sew the project together, holding awl at angle to come out in opposite channel (see HS, page 22). Keep shell box within the case. If it will not fit in the stitching horse, hold it between your knees. Burnish edges after sewing.



**9**

Install a billet strap in the flap. Pull through buckle, up tight, to locate position of buckle tongue hole. Only one hole is required. Be sure the edges were burnished.



**10**

Remove the shotgun shells and the cardboard box, which may have to be torn out to remove. No stitching (at miter joints) should show inside the case. Case is complete.

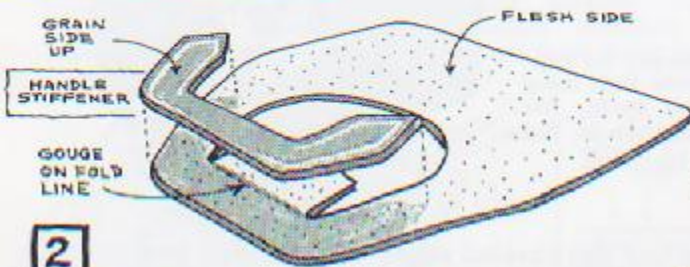
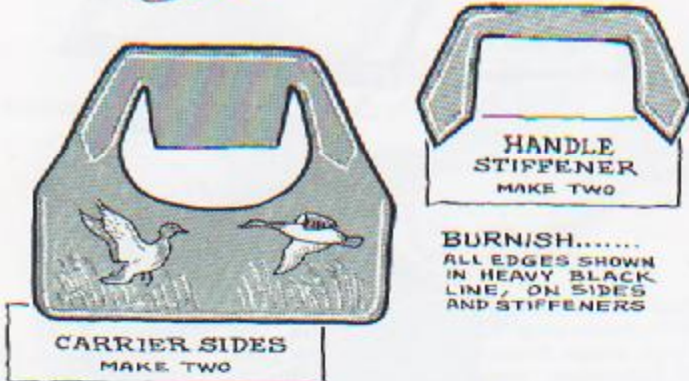
## 4 - BOX SHOTGUN SHELL CARRIER

This case was made for 12 ga. shotgun shells. . . for the box dimensions shown at right. If your boxes differ in measurements, the patterns will have to be altered accordingly. This case has a soft leather gusset that permits the case to lay relatively flat for storage. Cutting patterns are shown (1/2 size) on the opposite page. Carving design patterns (for birds) on pages 34-35.



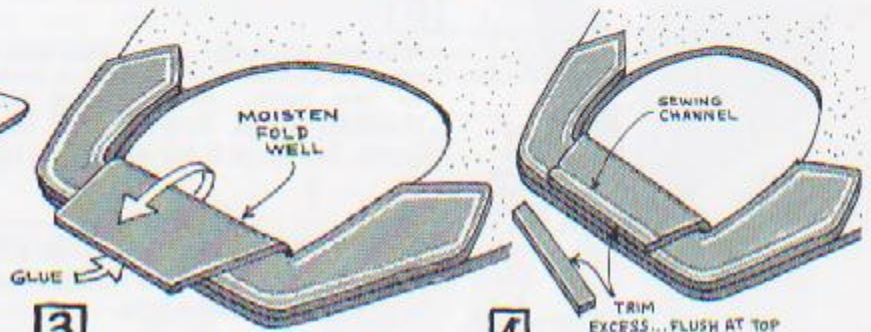
**GUSSET:** CUT FROM 5/6 OZ. LEATHER: LATIGO - CHAP - MOCCASIN - OR SIMILAR LEATHERS

- 1 Take a sheet of heavy paper (about 11" x 11") and mark it off in 1" squares. Carefully draw your pattern on this, from dimensions shown on the reduced pattern on opposite page. Draw in the position of the handle stiffener. Mark the fold line (under handle) and also the location of the sewing channels. Also mark for the top edge of the gusset at each side. Cut out the pattern. Transfer this to your leather and cut out two carrier sides and two handle stiffeners. Carve and stamp designs, if desired. Re-check all dimensions; trim if required. Gouge sewing channels where indicated; "wheel" for sewing. Gouge fold at handle. Edge and burnish areas shown on sketches at left. Cut out the gusset leather. You are ready to start assembly.



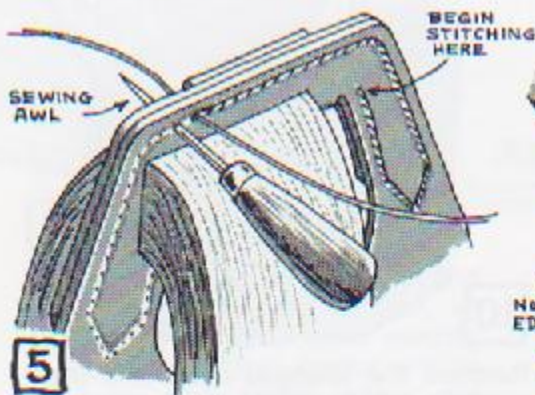
**2**

Apply rubber cement to flesh side of handle stiffener and corresponding areas on side piece. Cement in position, aligning edges. Be sure sewing channels, of both pieces, are closely aligned.



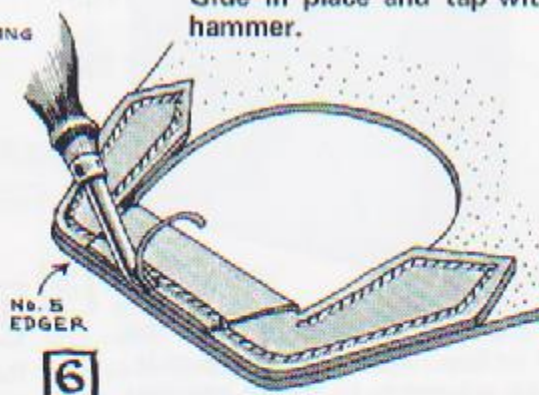
**4**

Trim the excess. Gouge a sewing channel, in line with channel on stiffener. Do not "wheel" this channel.



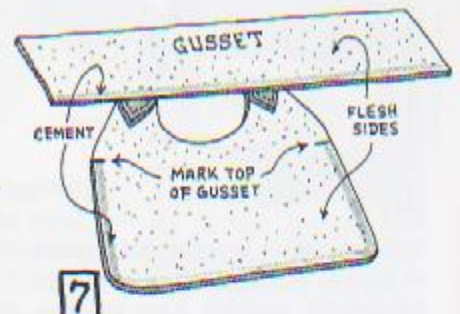
**5**

Place in stitching horse and sew. Sew over ends of the folded piece, on back side. Angle awl, if necessary, to bring stitches out in the channel on back side.



**6**

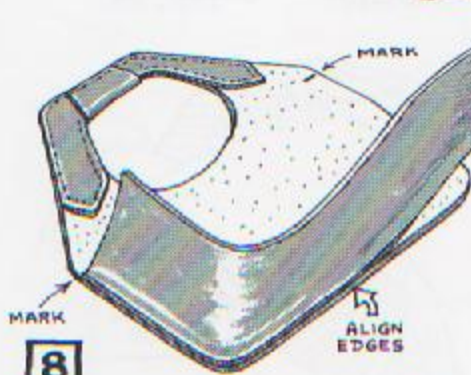
Turn project over and edge the folded end. Trim any unevenness and burnish top of handle. Complete the other carrier side in the same manner.



**7**

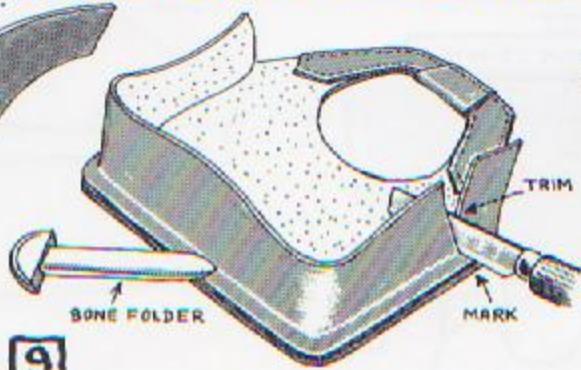
Now, mark the sides for the gusset top. Apply rubber cement to one edge of gusset and one side, about 3/8" in from the edge.

## 4-BOX SHOTGUN SHELL CARRIER - Continued



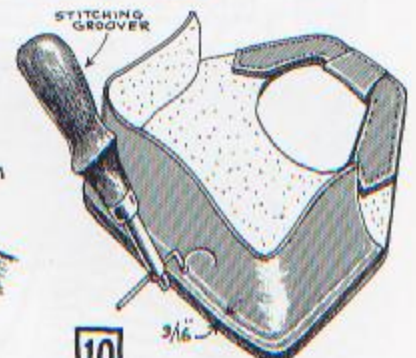
**8**

Begin adhering gusset at one side, at mark. Force around corner. Align edges.



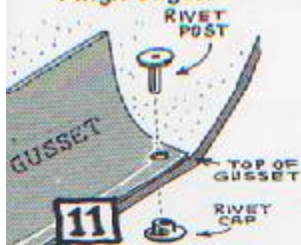
**9**

Continue around opposite side. When satisfied with alignment, press firmly with bone folder. Trim excess.



**10**

Now make a light gouge for sewing channel  $3/16$ " from edge, all around gusset.



**11**

Rivet top of gusset to side piece to aid the stress point.



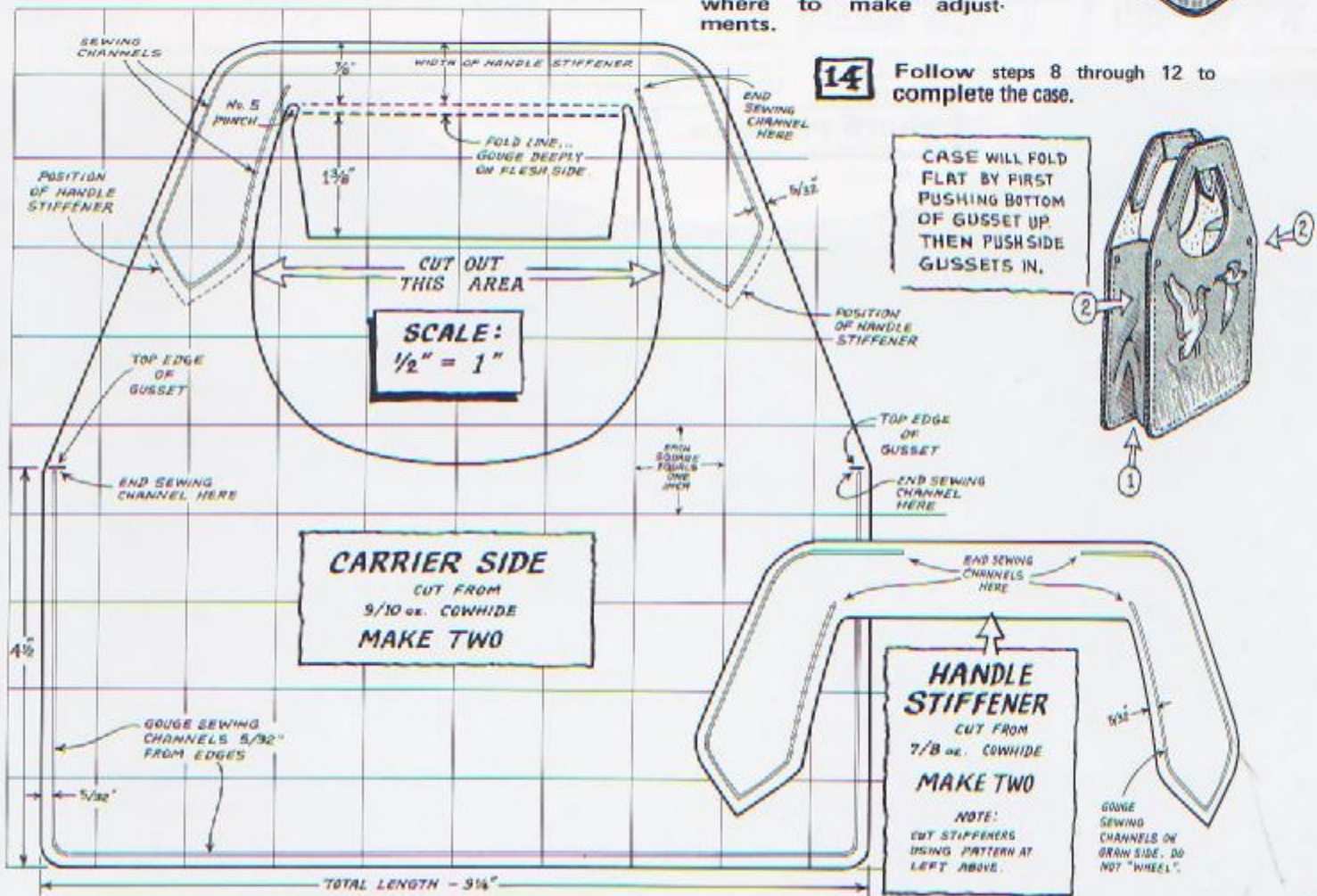
**12**

Sew all around the gusset. Keep stitches in the channels.

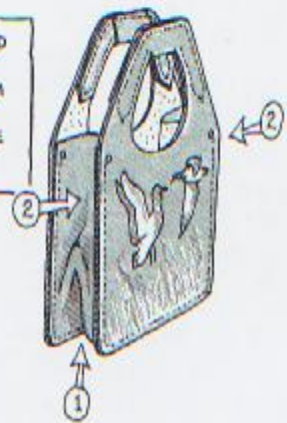
**13** Now apply cement to other edge of gusset and side (step 7). Begin adhering at one side mark and fit gusset around. If it does not come out correctly at opposite side, peel it loose; adjust as required. Some patience will be required if you have done this for the first time. Experience will teach you where to make adjustments.



**14** Follow steps 8 through 12 to complete the case.



CASE WILL FOLD FLAT BY FIRST PUSHING BOTTOM OF GUSSET UP THEN PUSH SIDE GUSSETS IN.



TRACING PATTERN

MALLARD

CANADA GOOSE

CUT ONLY THE SOLID LINES

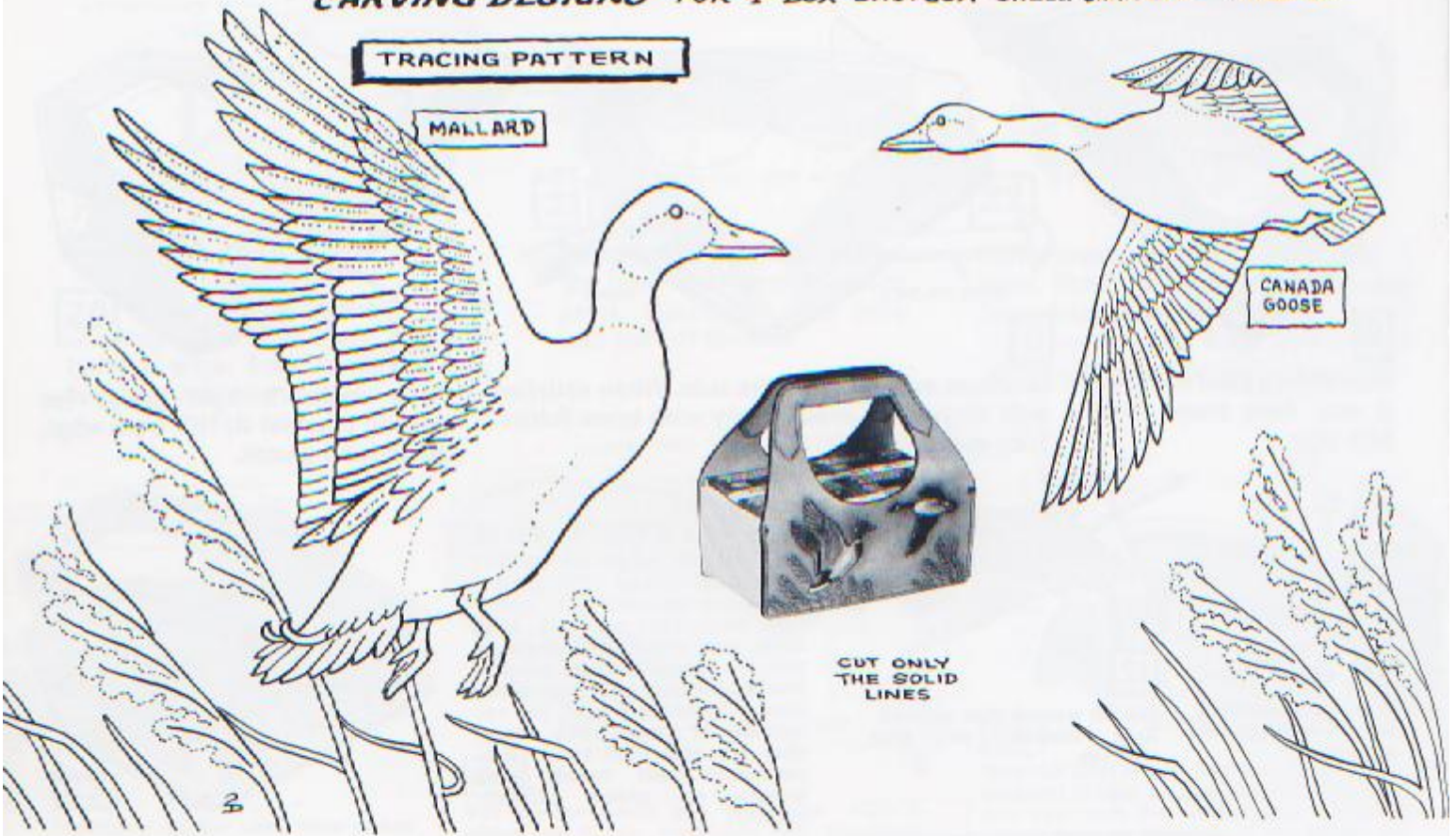
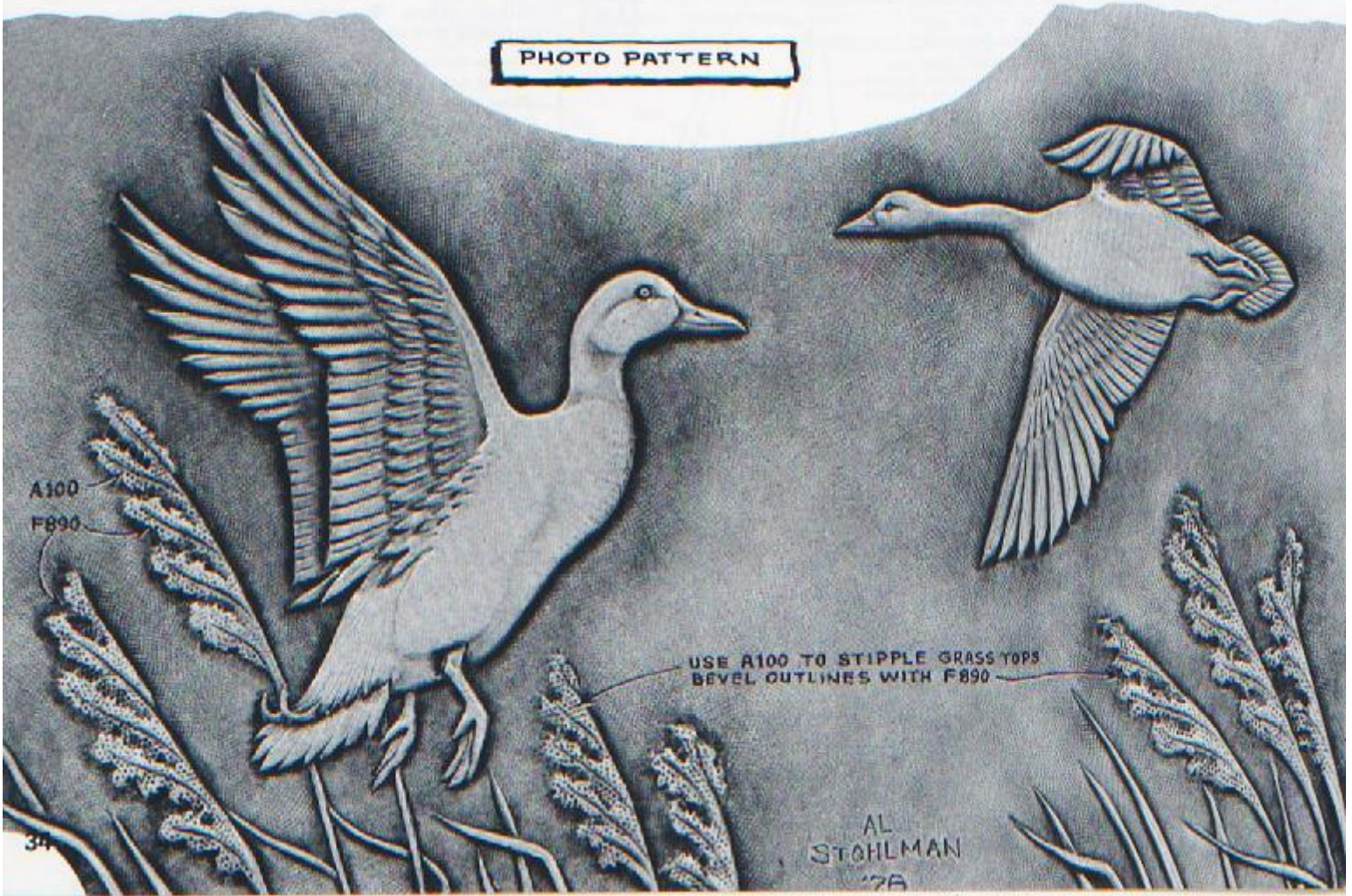


PHOTO PATTERN

A100  
F890

USE A100 TO STIPPLE GRASS TOPS  
BEVEL OUTLINES WITH F890

AL  
STOHLMAN  
'76



Carefully study the photo patterns, and compare with your own carving. For those unfamiliar with Figure Carving... see the books: "FIGURE CARVING" and "PICTORIAL CARVING" by Al Stohlman, for detailed instructions on stamping bird's feathers, etc.



RING-NECKED PHEASANT



CUT ONLY THE SOLID LINES

PHOTO PATTERN



STAMP GRAIN HEADS WITH S628 WITH AROUND THEM COMPLETE WITH SHORT KNIFE CUTS

MAKE LIGHT CUTS FOR GREAT FEATHERS

AL STOHLMAN '78



CALIFORNIA QUAIL

TRACING PATTERN



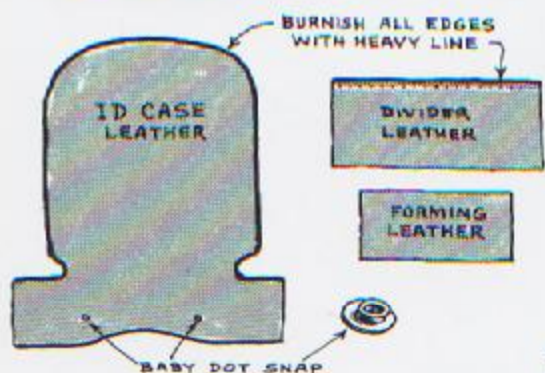
A100 F890



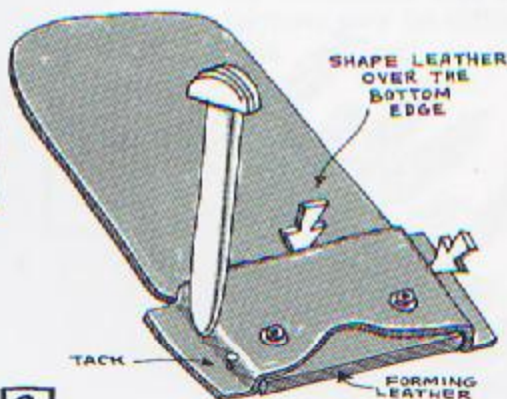
## ID ( Identification ) CASE

FULL SIZE CUTTING PATTERNS ON PAGE 37

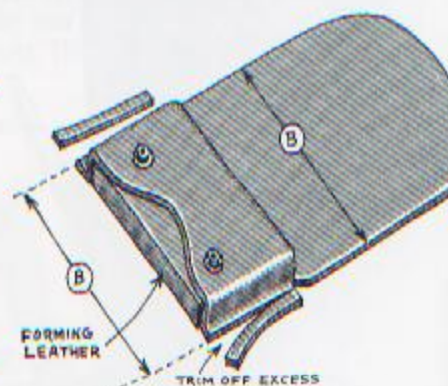
This is an ideal case for the traveler or sportsman who wishes his identification, licenses, game tags, etc., readily available on the belt. It can be made larger, if desired, by increasing the length and/or width of the patterns. The patterns presented will take up to 1 3/4" belt.



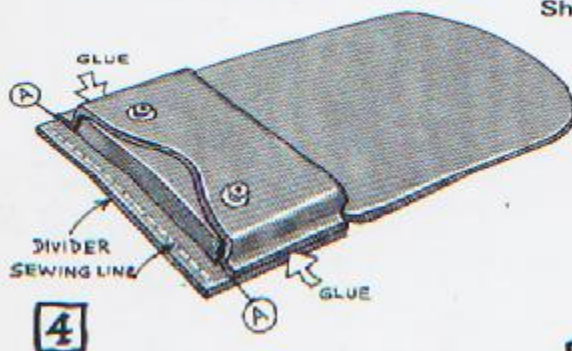
- 1** Cut out the leather parts, including the pocket forming leather. Install snaps to front of pocket.



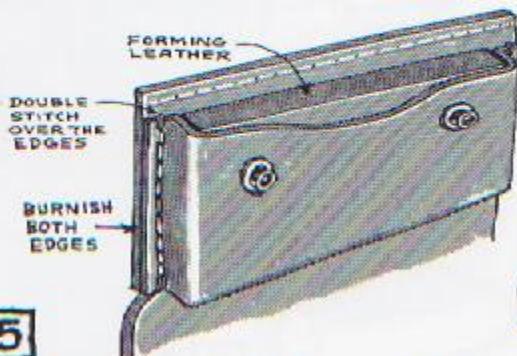
- 2** Moisten the pocket area (see pattern) on both sides. Place forming leather in position and shape leather over the ends. Crease sharply; this will be your sewing line. Tack the ends. Shape the bottom edge as shown above.



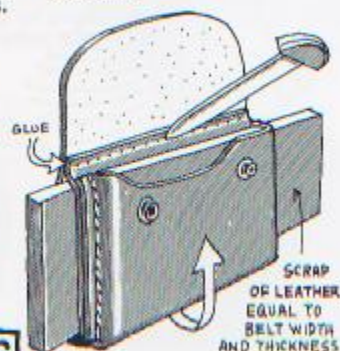
- 3** When dry, remove tacks and trim excess on a continuing line (B) equal to the width of the case.



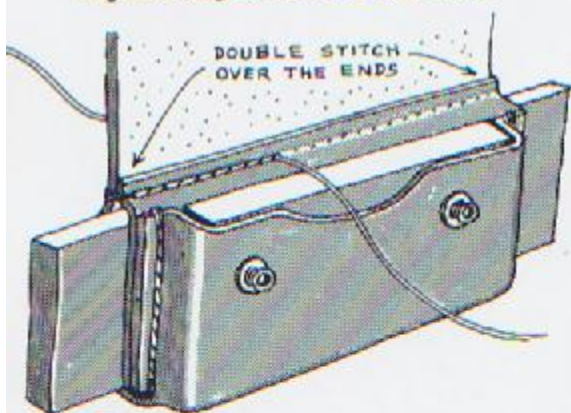
- 4** Prepare the divider (see pattern) and cement edges to the pocket edges, aligning with marks (A). Sewing line edge should be exposed.



- 5** Leave the forming leather inside the pocket. Place in stitching horse and sew. Trim any uneven edges; burnish.



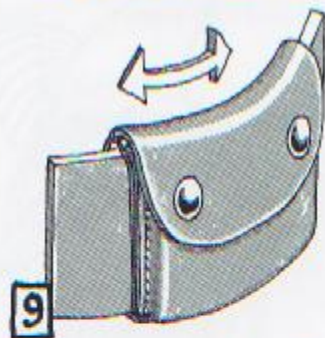
- 6** With forming leather still in pocket, moisten bottom of case and fold tightly around scrap leather. Work divider edge down, and glue edge to inside of case.



- 7** Place in stitching horse and sew, as above. This stitching forms the belt loop.



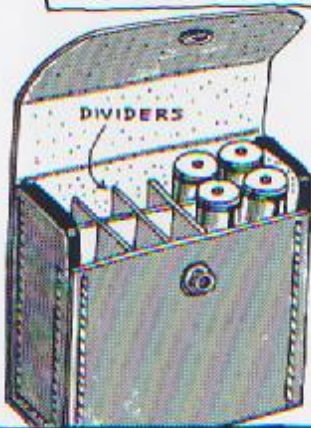
- 8** Fold the flap over and locate positions of the snaps by pushing firmly against pocket snaps (at arrows). This will imprint location of snaps on inside of flap. Install snaps.



- 9** With the forming leather still in the pocket, and belt scrap in place, dunk entire project in water a few moments. Remove and curve to body shape. Allow to dry; remove forming leathers. Case is complete.

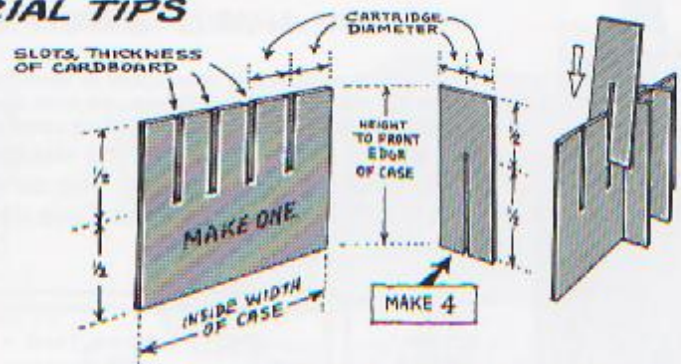
**CARTRIDGE CASE**  
FROM PAGE 27

**SPECIAL TIPS**



**SEPARATING CARTRIDGES**

Sketch (left) shows how shells can be separated. Simply cut a section of the dividers from the original box. If not available, make them as instructed at right.

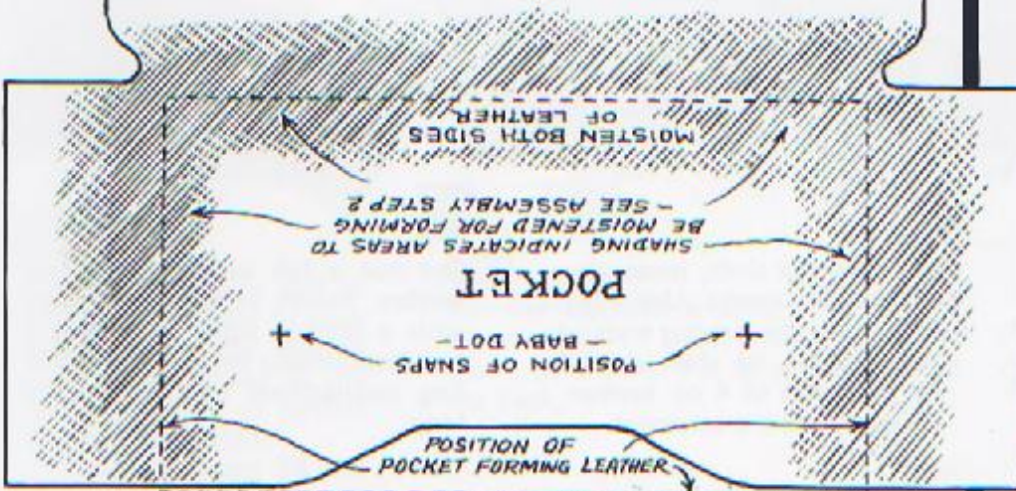
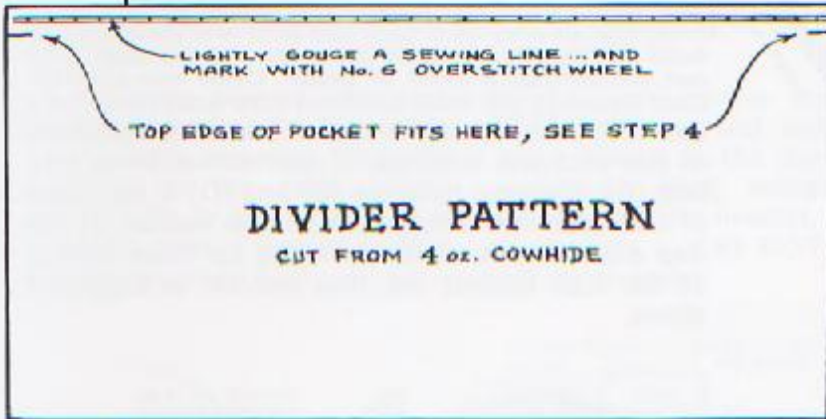
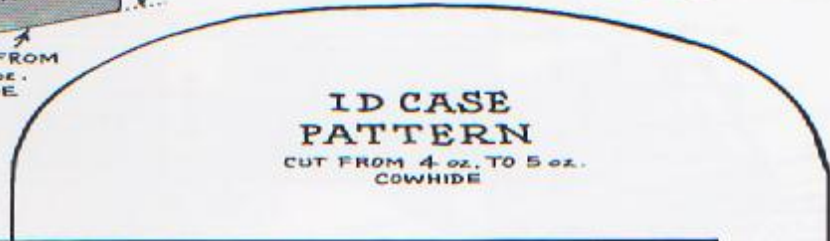


Use light weight cardboard and cut out the parts as shown. Slide pieces together and slip the unit inside the case.

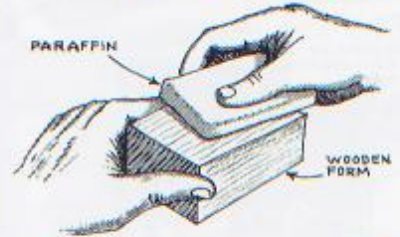


**CUTTING PATTERNS for**  
**ID CASE**

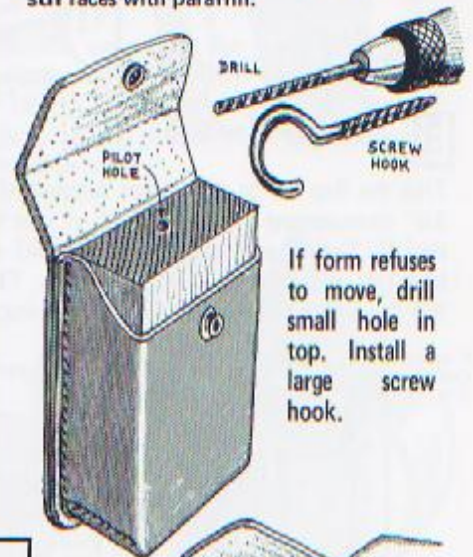
ASSEMBLY  
INSTRUCTIONS  
ON PAGE 36



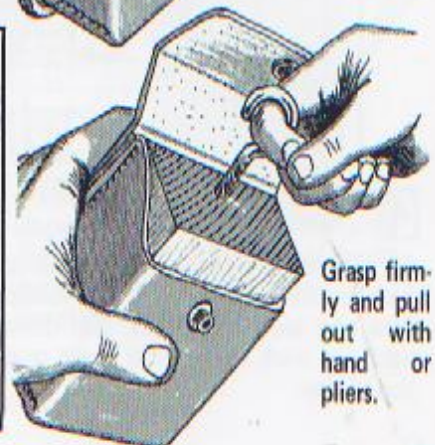
**Removing**  
**WOODEN FORMS**



Before placing forms in cases, rub all side surfaces with paraffin.



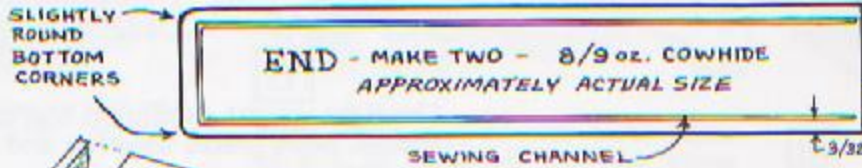
If form refuses to move, drill small hole in top. Install a large screw hook.



Grasp firmly and pull out with hand or pliers.

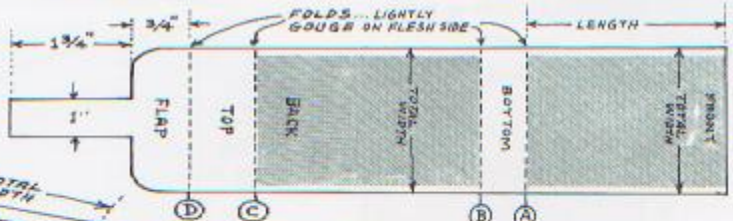
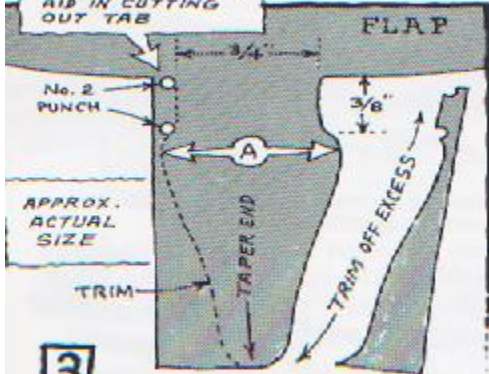
## PLAYING CARD CASE

The construction of this case is similar to the cartridge case on page 27. Here, however, we do not use a wood form. . . the case is made directly over the playing card pack. Also, the tab closure on the flap has less bulk. The design, on this case, was made with swivel knife cuts only. The card suits were dyed red and black; outlined in white with Cova dye. Cut the case from 4 oz. cowhide.



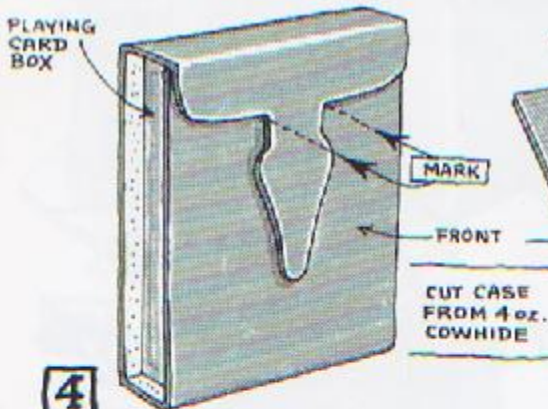
- 1** Cut two end pieces from 8-9 oz. cowhide to the exact dimensions of the playing card box ends. Gouge sewing channel; do not "wheel". See other notations above. Leave playing cards in their paper box.

**TIP:**  
USE PUNCHES TO AID IN CUTTING OUT TAB

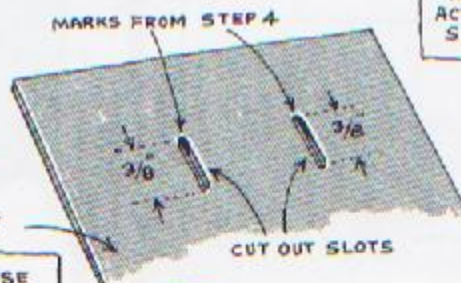


- 2** Now, hold the leather end pieces snug against the playing card box (see left) and measure the total width. This will be the width of the case. Lay out pattern on a sheet of paper. Draw two parallel lines equaling the total width of card box. Draw fold line (A). Distance between (A) and (B) is thickness of box plus one thickness of case leather. Draw fold line (C). Distance between (C) and (D) is thickness of box plus two thicknesses of case leather, as the flap goes outside of front, taking up more leather at the top. Layout the flap and tab as suggested above.

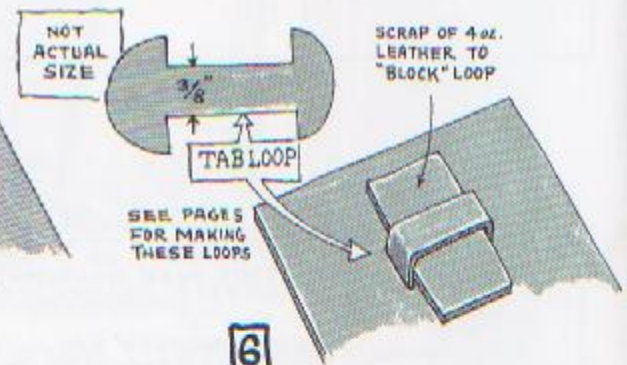
- 3** Trim the flap tab to dimensions suggested above. The 3/8" measurement will be the width of the tab loop (see step 6). The distance between arrows (A) should be at least 1/8" wider than the neck of the tab. This is to hold flap down after tab is pulled through the loop.



- 4** Cut the leather and gouge folds. Moisten folds and crease sharply with bone folder. Fold case around card box, flap down tight, and mark as shown to locate position of loop.



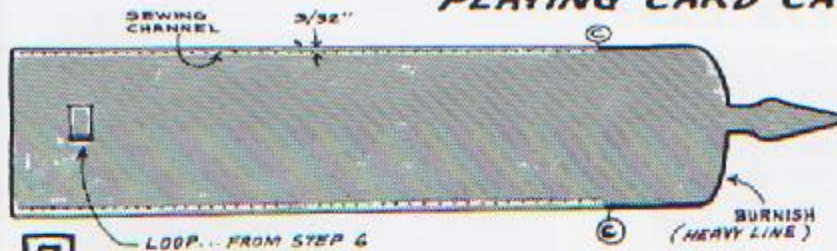
- 5** Lay out the slots, measuring down from marks. Use a No. "0" punch to cut out ends of slots. Width of slots should be thickness of 4 oz. leather. Be sure slots are centered.



- 6** Cut out a tab loop, from 4 oz. leather. Install in slots and block with a leather scrap. See page 5 for determining length, and installing instructions of this type of loop.



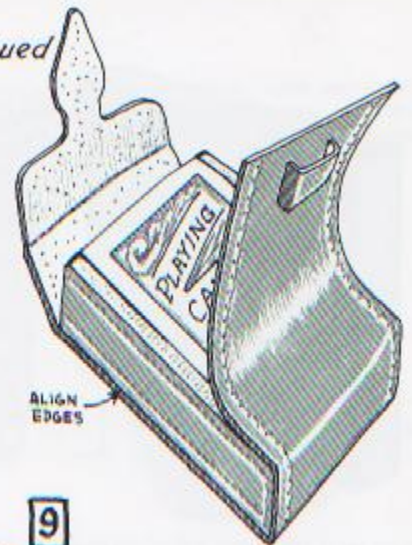
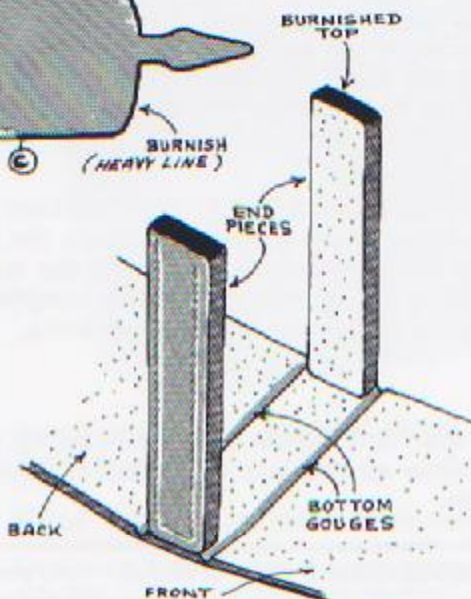
## PLAYING CARD CASE - Continued



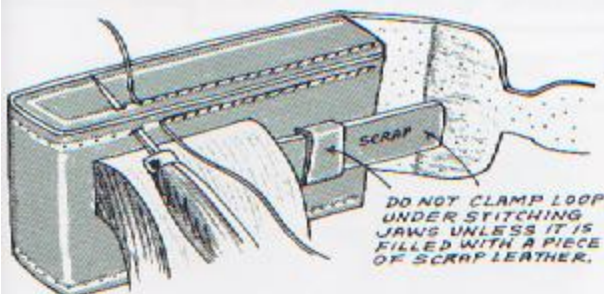
**7** LOOP... FROM STEP 6

Now gouge sewing channels at each edge, up to fold (C). Use No. 7 overstretch wheel. Burnish edges indicated above.

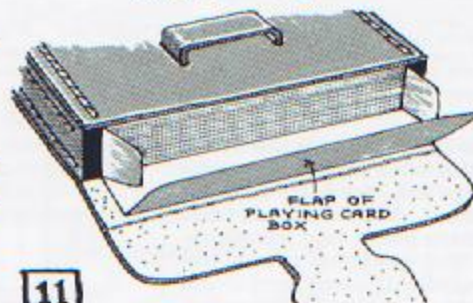
**8** Now, apply rubber cement to all edges to be sewn. Begin assembly at the bottom. Center the end pieces between the folds, and flush with the outside of the case.



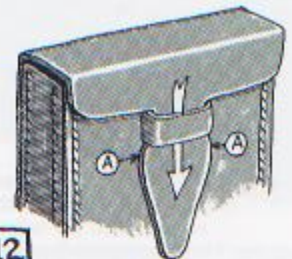
**9** Fold bottom up, sharply at crease. Adhere end pieces to back, aligning edges. Place playing cards and box in case. Fold front down, adhering edges. If all edges are properly aligned, press with bone folder.



**10** Place in stitching horse (with cards inside) and sew. This is the same as the miter joint, (see HS, page 28) for sewing around corners. Also (see HS, page 63) for sewing with small overstretch wheels; lighter threads.



**11** After sewing, burnish edges. Now open case and top of card box. Top of card box can be cut off, or allowed on. The box, itself, stays within the case. This gives additional protection for the cards.



**12** To close the case, pull tab down through loop, forcing the "flared" width (A) through. When through, it will spread again and serve to keep the case closed. Case is complete.

## CIGAR CASE



This case is made exactly as with the Playing Card case above and on the opposite page. Follow the same procedures, using the same weight of leathers. Since this case is longer, it is adaptable for many billfold and similar designs. Many Craftaids, or portions of them, are suitable for decorating small cases. When carving or stamping cases, always remember to rubber cement them to cardboard to prevent stretch. After removing the cardboard, ALWAYS re-check your dimensions, to be sure the fitting has not been altered.

If desired, a belt loop can be sewn to the back of this case... before sewing in the end pieces.



## CIGARETTE CASES



These cases are constructed exactly as with the playing card case, pages 38-39. The leather cases are made right over the cigarette pack (with cigarettes inside) and the light cardboard remains inside. Cigarettes from a new pack are simply transferred to the leather case.

With the rectangular case (left) the loop is made longer, as the opening of the pack is on the long side. With the flip-top case (right) keep the top closed while making the leather case. When complete, cut the flip-top off of the box with a sharp knife.



**NOTE:** For the "soft" (paper) cigarette packs, make a wood form to the exact size. Follow all previous instructions. . . make and sew the case over the wood form.



### CIGARETTE CASE - Alternate Construction

**NOTE**  
OTHER CASES CAN BE CONSTRUCTED WITH THIS METHOD

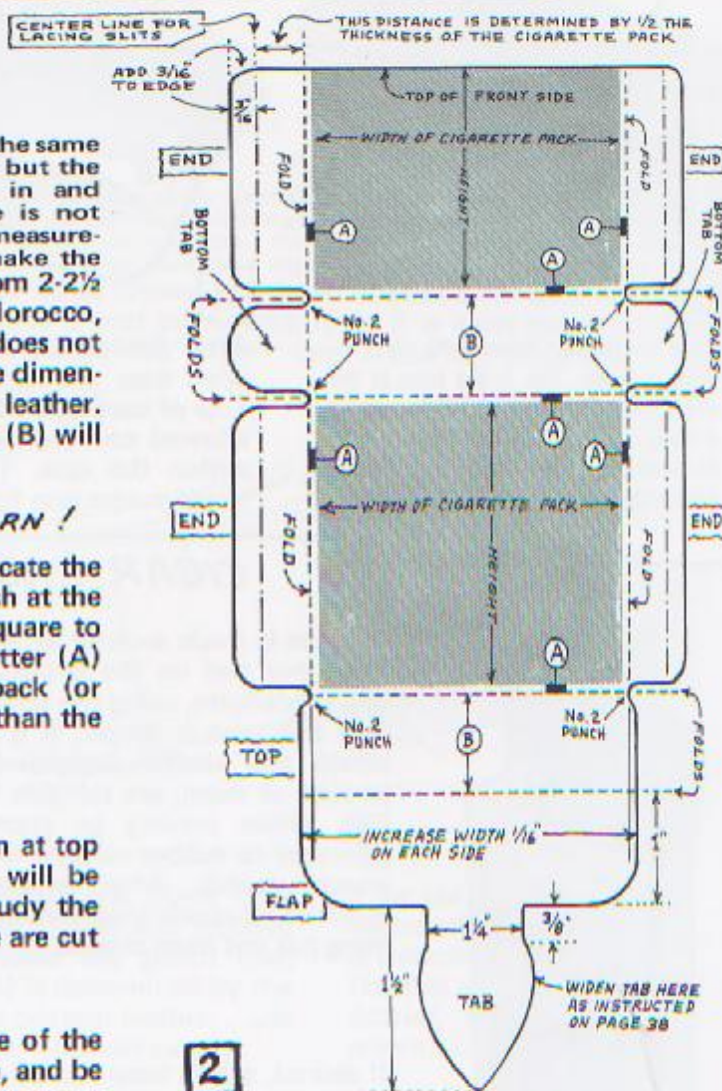
This case appears the same as the one above, but the ends are folded in and laced together. This case is not made over the cigarette pack, but measurements must be taken from the pack to make the pattern. This case makes less bulk, especially if cut from 2-2½ oz. leather, as: Kip, Natural Cowhide, English Morocco, Pigskin, etc. Skiver leather should not be used, as it does not have enough strength or body for lasting service. The dimensions, on this pattern, are for approximately 2-2½ oz. leather. If heavier leather is used. . . the dimensions at (A) and (B) will have to be increased accordingly.

**STUDY ALL OF THE NOTATIONS ON THE PATTERN !**

**1** Lay out pattern on paper. The shaded areas indicate the position of the cigarette pack. The edges are flush at the top of the front side. Draw the fold lines. Use a square to keep all lines accurate. The black marks with the letter (A) indicate the fold lines are 1/32" away from the pack (or thickness of leather). Fold lines (B) are 1/16" wider than the pack thickness (or double thickness of leather).

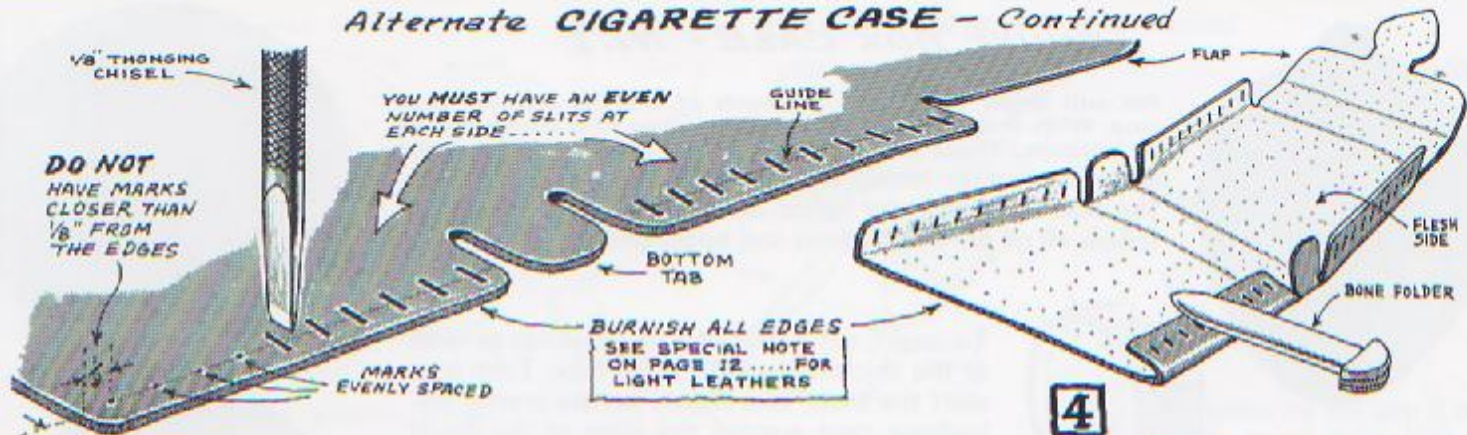
To determine how wide to cut the ends, see notation at top of sketch. Take ½ thickness of cigarette pack (this will be center of lacing slits) and add 3/16" to the edge. Study the pattern. Also note that the top, and flap, of the case are cut 1/16" wider at each side.

Now carefully transfer your pattern to the flesh side of the leather. Corrections can be penciled on the flesh side, and be un-noticed when the case is completed.



**2** Cut out the leather. Use a No. 2 punch, to aid in cutting, at areas shown above. Cut straight out from holes. Round ends and bottom tabs. Cut flap as shown.

## Alternate CIGARETTE CASE - Continued

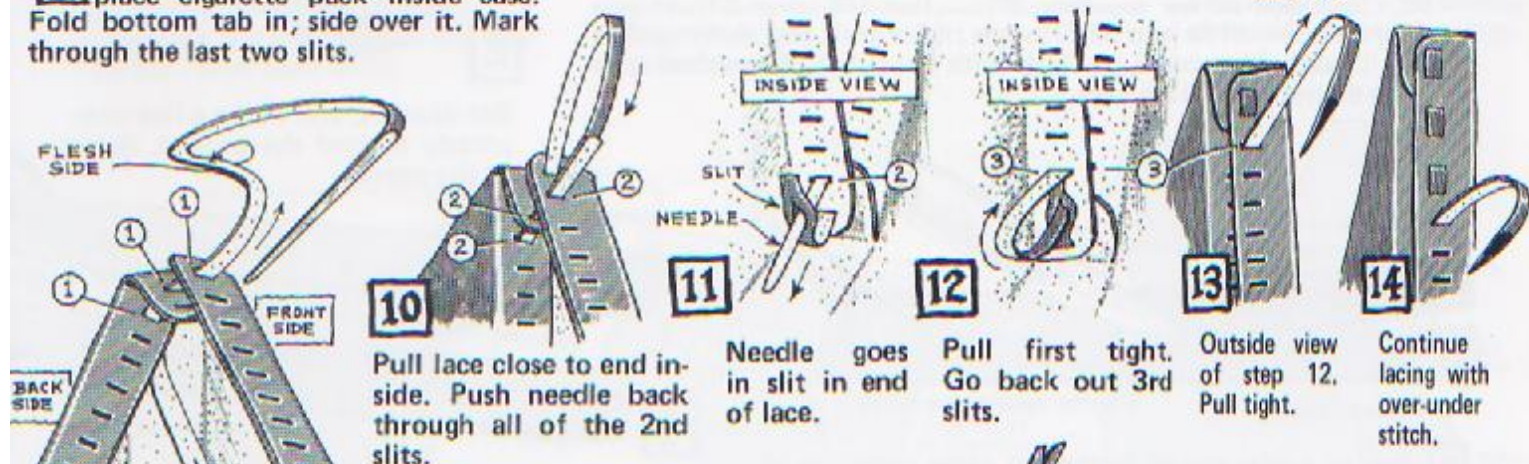


**3** Turn leather grain side up and scribe a light guide line  $3/16"$  from the edge of the ends. With dividers, mark positions of lacing slits (or holes). You must have an even number. . . adjust spacings until you do. Punch holes or use lacing chisel (shown here). If using chisel, center it on the line. Slits (or holes) must match on both edges.

**4** Turn leather to flesh side. Make light gouges on folds (see page 89 for gouging light leather). Moisten all folds and crease sharply. If not gouged, fold the leather against a straight edge, then tap folds with hammer.

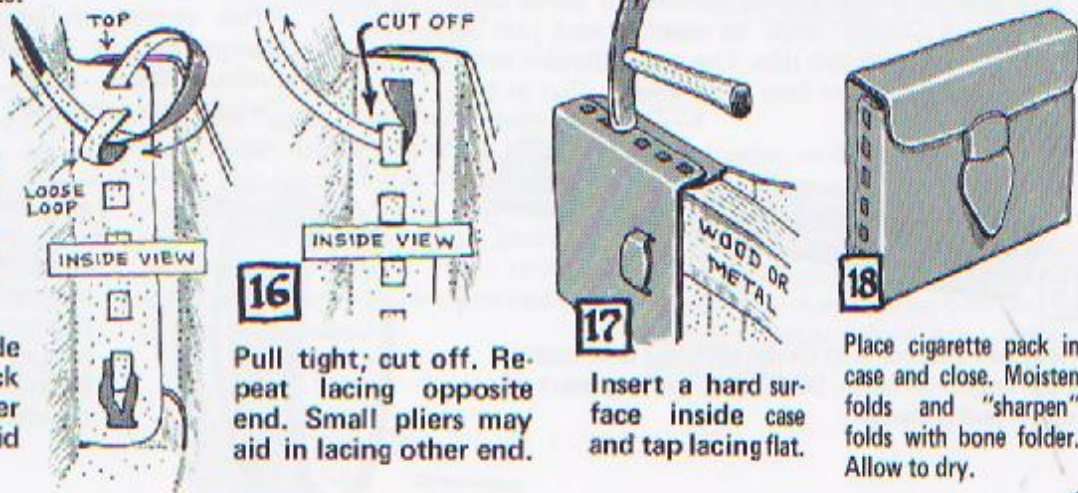


**5** To locate slits in bottom tab, place cigarette pack inside case. Fold bottom tab in; side over it. Mark through the last two slits.



**9** Fold case together. Push needle, from inside, out 1st slit of each piece. Note bottom tab goes between end pieces.

**15** Leave loose loop inside (right). Come back through top slits and under loop; this locks end. Use a fid to work slack out of lace.

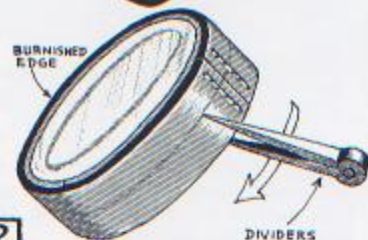
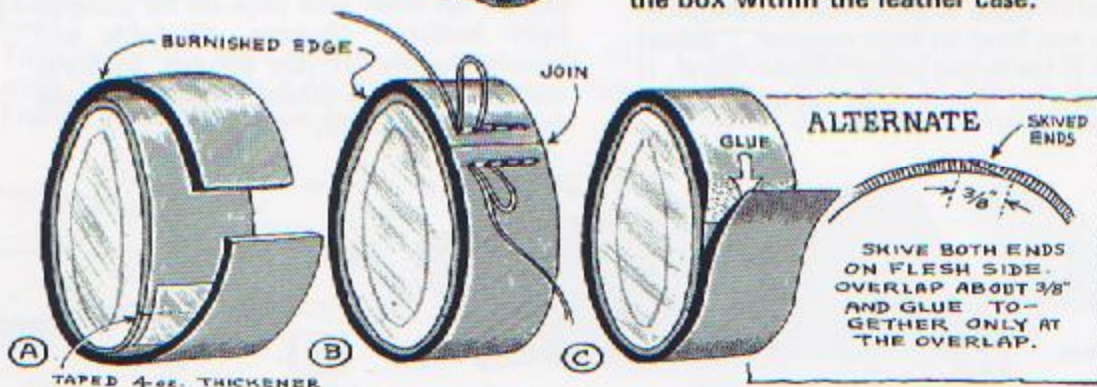


## SNUFF BOX CASE - No. 1

We will show you three methods of making a Snuff Box case. With this case (No. 1) we offer some new construction techniques. These same principles can be applied to make cases for similar items; camera lenses, jewelry boxes, etc. Use heavier leather for larger cases of this type. Carefully follow all of the instructions and notations.

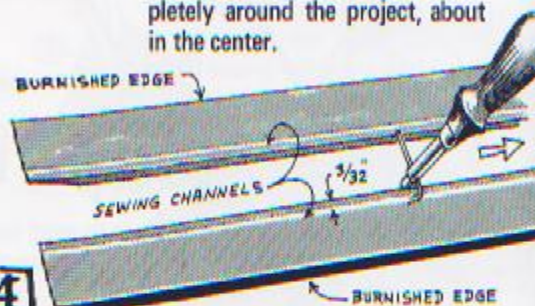
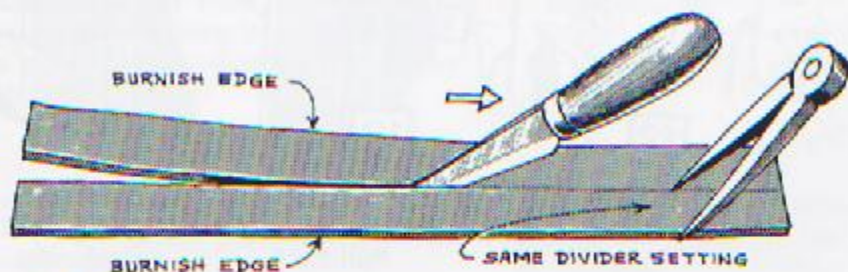


To begin, cut a strip of 4 oz. cowhide as wide as the thickness of the Snuff Box. Trim it to abut the ends, and tightly adhere it with cellophane tape around the edge of the Snuff Box. This added thickness insures room for the box within the leather case.



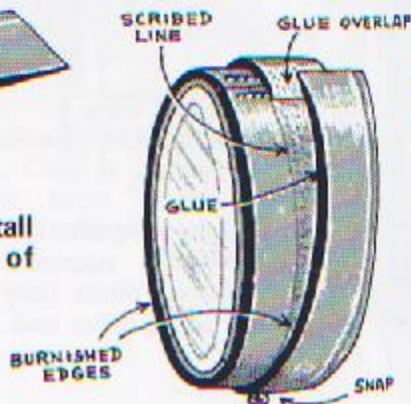
- 1** Cut all leathers from 6-7 oz. cowhide. Cut a strip the same width as thickness of snuff box. Burnish one edge, and fold tightly around box (A). . . abut edges and sew together (B). . . (see HS, page 31). If you prefer not to sew, cut the strip  $\frac{3}{8}$ " longer, skive ends and glue together as in (C) above. Edges should be flush with snuff box. Burnished edge will be the top opening of the case.

- 2** Set dividers, and scribe a line completely around the project, about in the center.



- 3** Now cut another strip of leather to same width, as in step 1. Cut  $\frac{3}{8}$ " longer to overlap and join as in (C), step 1. Burnish both sides. Use same divider setting (step 2) and scribe a line down total length. Cut in two.

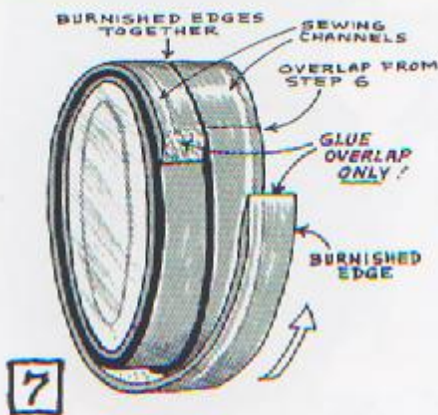
- 4** After cutting in two, skive ends on flesh sides. Gouge sewing channel (grain side)  $\frac{3}{32}$ " from (unburnished) edges, of both pieces. Do not "wheel" the channels.



- 5** Now, take the piece (with divider setting) and install a Belt Snap in the center. DO NOT allow any part of snap in sewing channel.

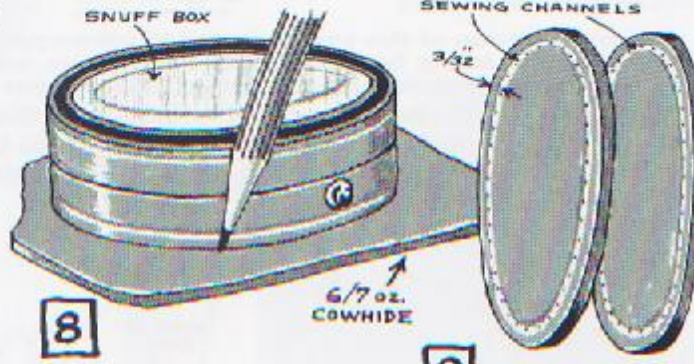
- 6** Now glue strip to case with strong bonding cement. Begin at joint, pull tightly around. Sewing channel edge should be flush with previous leather. Glue overlap. . . proper skiving will eliminate bulges. Burnished edge should be in center of case. . . on scribed line.

## SNUFF BOX CASE - No. 1 - Continued



7

Now, with remaining strip, apply glue only to overlap ends. Place one end at previous overlap, burnished edges together. Hold firmly; pull tightly around case and adhere overlap.



8

Place project on leather and trace around the outline. Cut out two circles; front and back. A compass can be used for perfect circles.

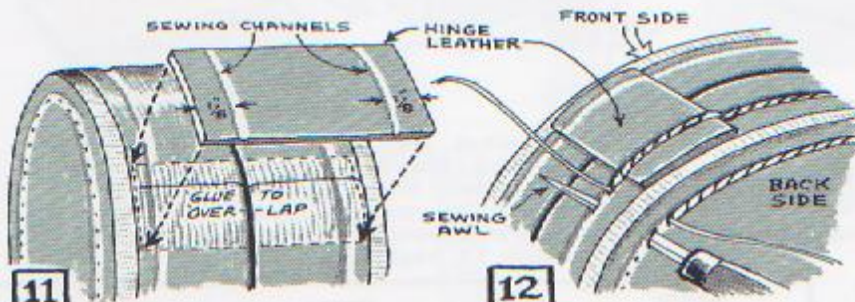
9

Gouge sewing channels and mark with over-stitch wheel. Carve design on front, if desired.



10

With snuff box in place, apply cement to edges only, and adhere circles to case. Snap is at top; carving on front circle should correspond.

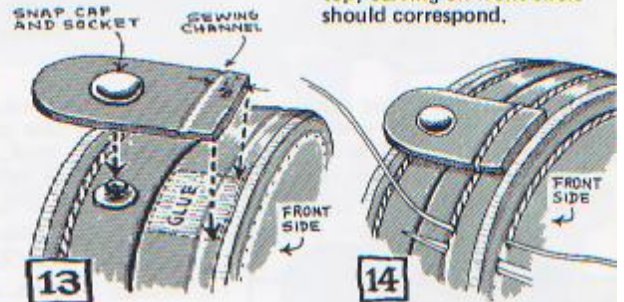


11

Cut a hinge leather from 4 oz. cowhide 5/8" wide and the width of the case...for length...which does not include front and back pieces. Gouge a light channel on each end, as shown above. Hold case tightly together and glue to overlap area.

12

Place in stitching horse (snuff box within case) and sew around the BACK SIDE FIRST. . .THIS IS IMPORTANT. Keep stitches in channels. Sew over the hinge piece, as shown. Sew completely around the back piece.

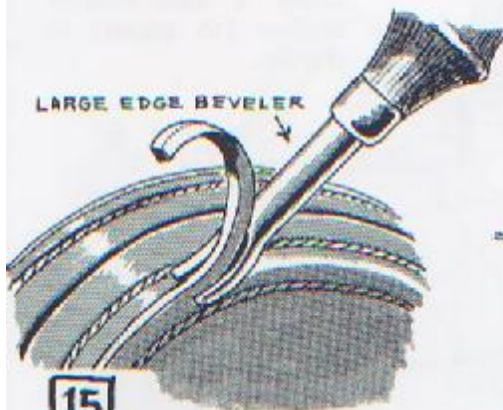


13

Cut a snap-tab 5/8" wide from 6-7 oz. cowhide, about 1" long. Install snap cap 5/8" from end. Snap to case, trim end next to front side. Gouge sewing channel; glue in place (as above).

14

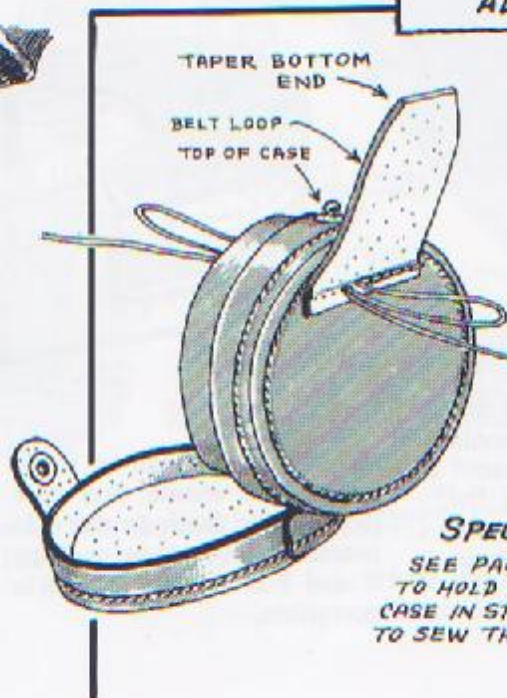
Note: The glued end adheres only to the lid section. Sew completely around the front side. This stitching will also catch the other end of the hinge.



15

To finish the sewn edges, bevel with a large beveler. (See HS, page 24 for burnishing and "wheeling" sewn edges.)

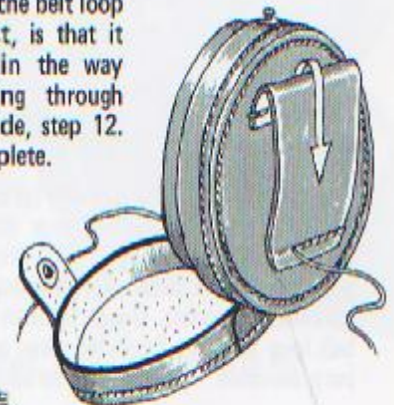
### ADDING THE BELT LOOP



Open case and remove snuff box. Sew first edge of belt loop at the top. Stitching will come out inside the case. Fold belt loop down and sew bottom edge.

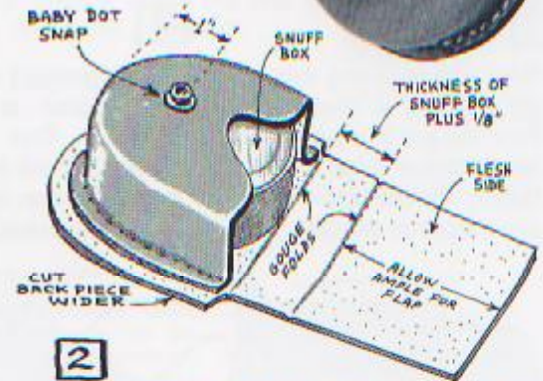
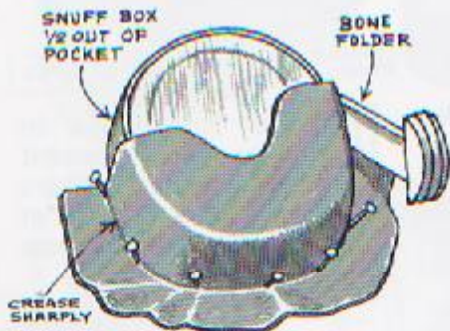
The reason the belt loop is sewn last, is that it would be in the way when sewing through the back side, step 12. Case is complete.

**SPECIAL NOTE:**  
SEE PAGE 89 HOW TO HOLD SNUFF BOX CASE IN STITCHING HORSE TO SEW THE BELT LOOP!



## SNUFF BOX CASE - No. 2

The construction of this case is similar to others presented earlier in the book. To avoid duplication, we will refer you to previous instructions that are identical. Read all of the text and all notations on the accompanying illustrations. Before beginning, tape a strip of leather around the snuff box, as shown with case No. 1. Cut all parts from 6 oz. cowhide.

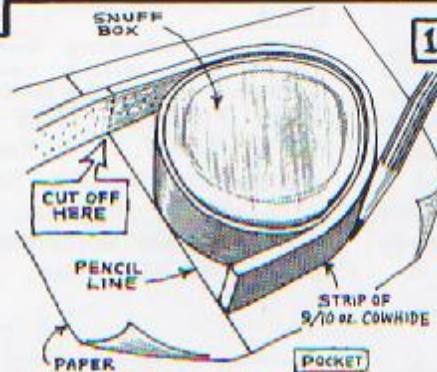


**1** Make the pocket pattern (step 1, page 19). Cut top of pattern fairly deep for access to snuff box. Form the cased leather as instructed (page 19). When forming, at the open end, pull snuff box about half way out so you are forming over the widest part. This insures enough room for entry and withdrawal of the box.

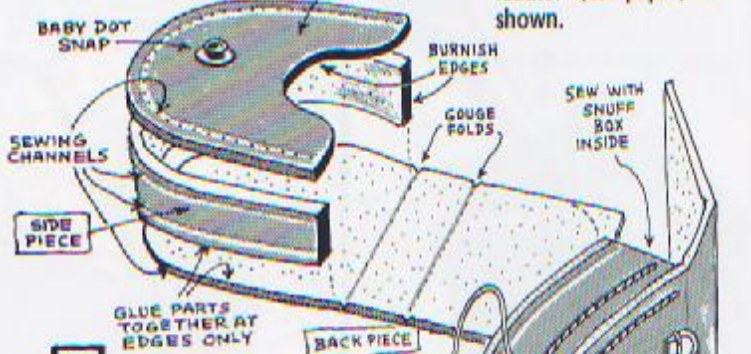
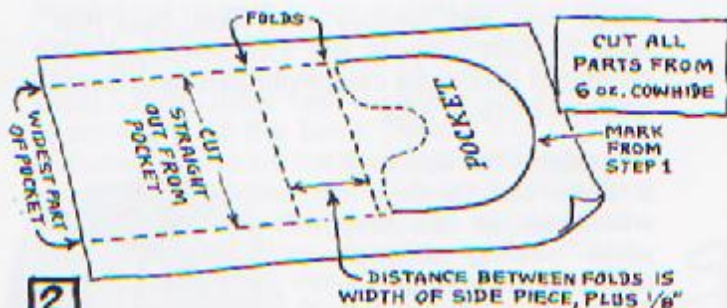
**2** Trim pocket. Burnish top edge, and "wheel" for sewing. Install snap. Cut back piece as shown above. Sew belt loop to back. With snuff box in position, glue pocket in place and sew all around. Trim excess, and complete as in step 12, page 29.

## SNUFF BOX CASE - No. 3

This case differs from No. 2 only in that the pocket is not made of one piece. The front and back are sewn to a heavier side piece that encircles the snuff box. Tape a leather strip around the box, as with the beginning of case No. 1.

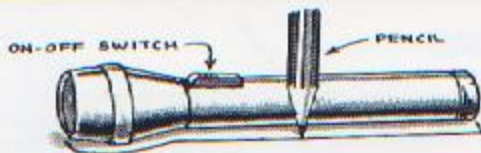


**1** Make the pocket pattern by placing snuff box on paper, at edge of a penciled line. Cut a strip of 9-10 oz. cowhide 1/16" wider than thickness of snuff box. Place one end on line and pull snugly around box to locate cut-off of other end. Draw a line around leather (to paper) as shown.



**2** From step 1, make the patterns (as above). Cut out the pocket and back piece. Gouge all sewing channels (shown in sketch at right) 1/8" from edges. "Wheel" pocket and back piece only. Burnish edges shown. Install snap in pocket. Gouge folds in back piece. Sew a belt loop to back. Exploded view, at right, shows how parts assemble. Apply cement to edges only.

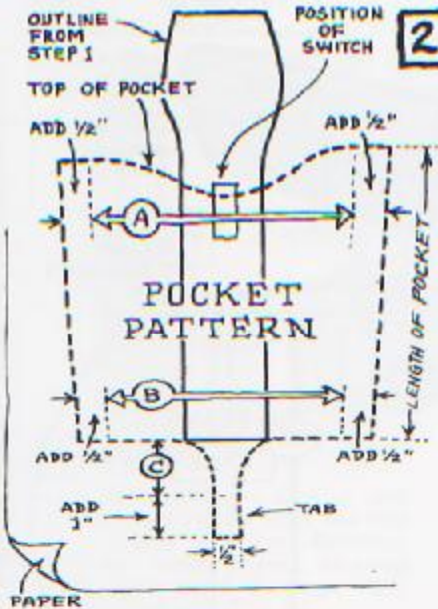
**3** Adhere parts together. Place snuff box inside and sew pocket and back to the side piece. Complete as in steps 6 and 7 on page 27. Case is complete.



## FLASHLIGHT CASE

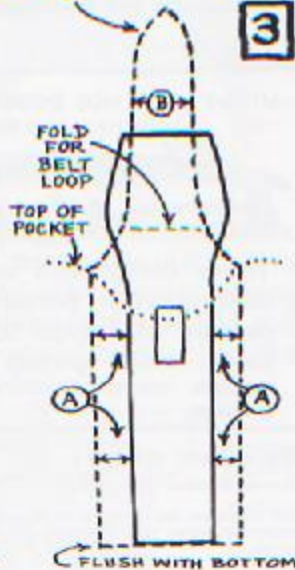
Since all flashlights are not of the same size or dimension, we cannot give an actual size pattern. We will show you how to make a case for any flashlight, of similar proportions. Cut the leathers from 6-7 oz. cowhide.

- 1** Place flashlight on a large sheet of paper, and trace all around the outline. Hold the pencil perpendicular.



- 2** **POCKET:** Make the pattern as shown at left. Dip top of pocket down to switch. Arrows (A) indicate diameter of flashlight, including switch. Arrows (B) indicate diameter of the shaft. Add  $\frac{1}{2}$ " to these dimensions at each side, and draw lines at each side. Draw a line flush at the bottom and taper out to a long  $\frac{1}{2}$ " tab. Distance of line (C) is thickness of the shaft. Add 1" to pattern, beyond this.

ALLOW AMPLE LENGTH FOR BELT LOOP

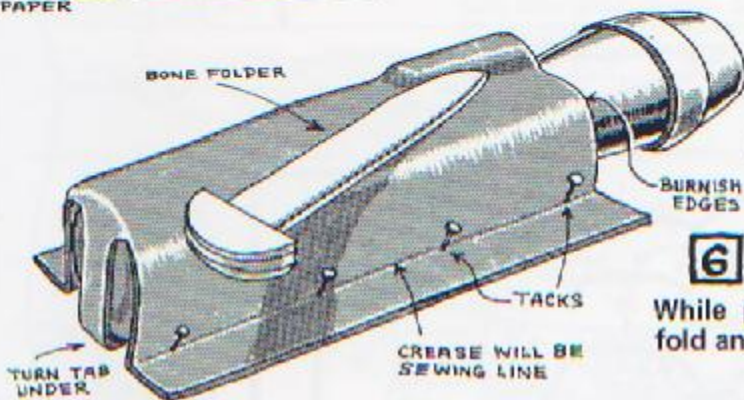
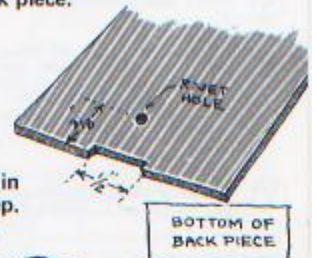


- 3** **BACK:** Make the pattern as shown at left. Add  $\frac{1}{2}$ " out from each side of flashlight outline (arrows A). Draw straight lines for the sides. Draw a line flush with bottom. Make a mark at position you wish the belt loop to fold. Taper pattern in, from top of pocket. Arrows (B) indicate belt loop must be narrower than back piece.



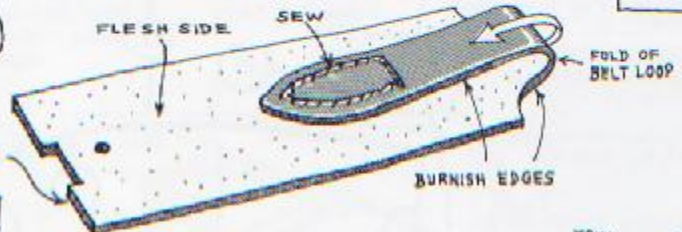
**4**

At the bottom, cut a notch (in center)  $\frac{1}{2}$ " wide and  $\frac{1}{8}$ " deep. Punch a No. 3 hole, for a rivet.

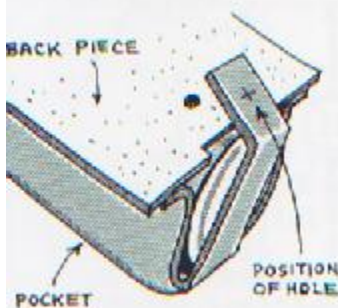


**6**

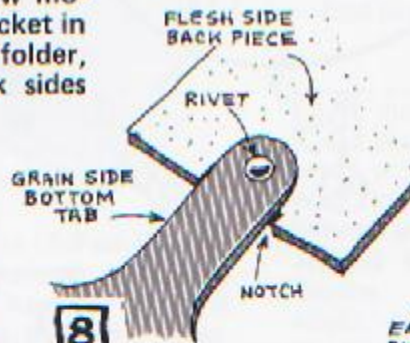
While pocket is drying, moisten belt loop, fold and sew to back piece. Now, trim pocket edges  $\frac{1}{8}$ " away from (tacked) crease (step 9, page 20. . . "wheel" for sewing.



- 5** Cut out the pocket and back piece. Burnish top edge of pocket. Hold under water a few moments; "casing" will not be required. Place pocket in position, turn tab under bottom. With bone folder, work leather down around the switch. Work sides down; crease sharply. Tack to board.

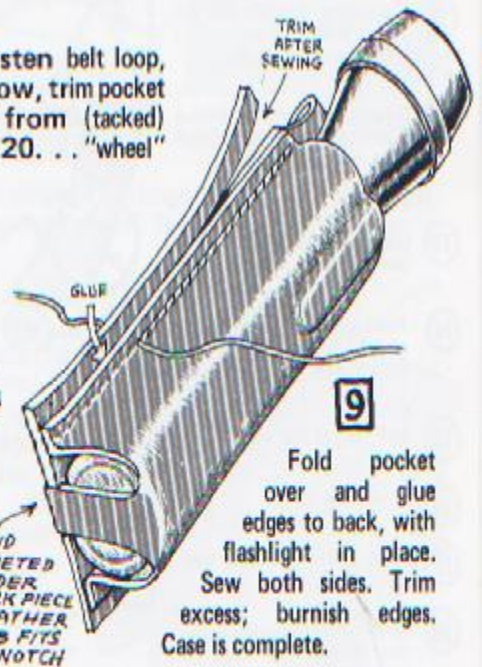


- 7** Place flashlight in pocket; back in place. Fold bottom tab over to locate position of rivet hole. Punch hole, trim off any excess.



**8**

Rivet bottom tab to back piece, as shown above.



**9**

Fold pocket over and glue edges to back, with flashlight in place. Sew both sides. Trim excess; burnish edges. Case is complete.

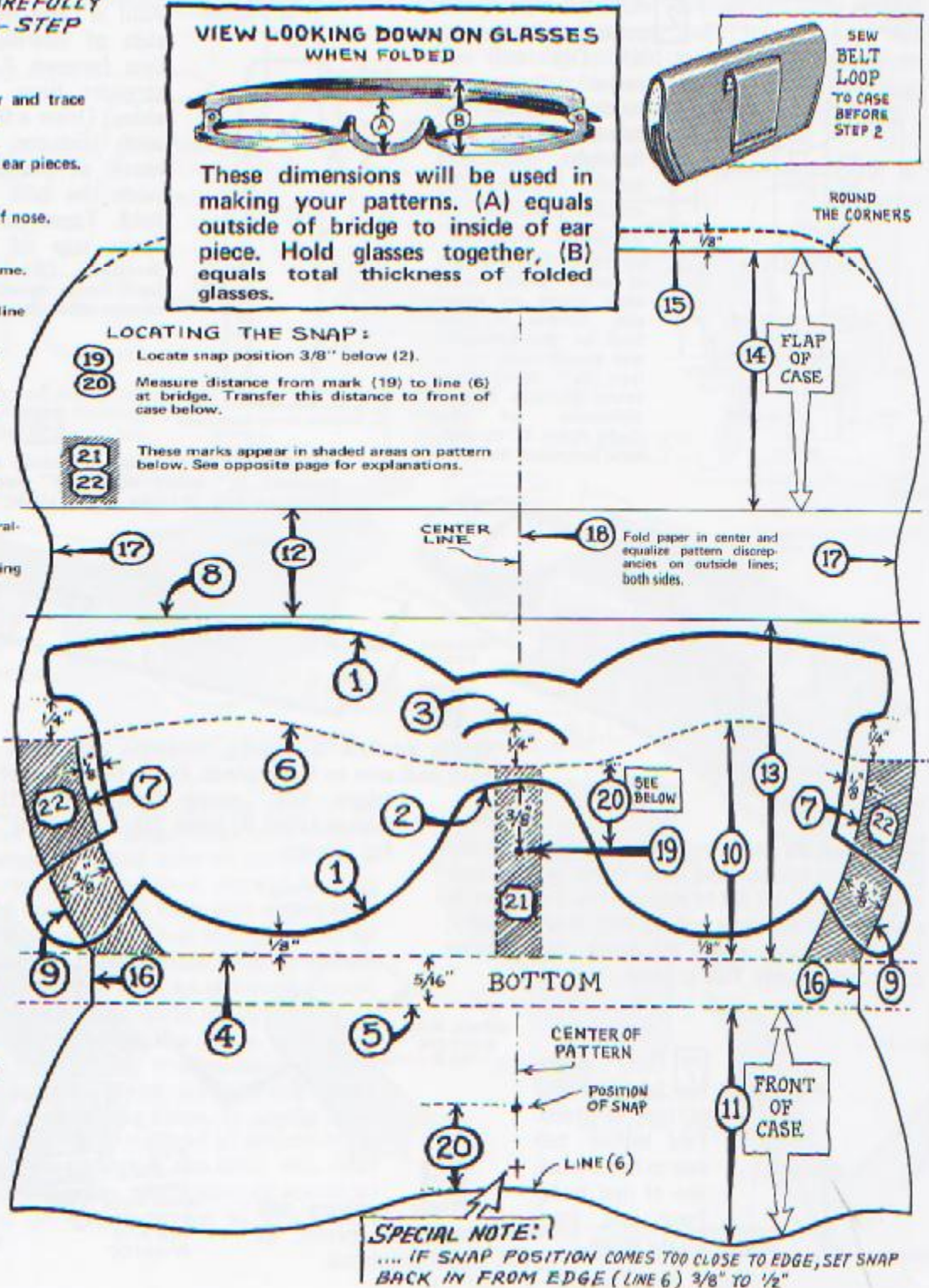
## EYE GLASSES CASE

Since the frames of most eyeglasses vary in size, shape, and dimension, cutting patterns are impossible to present here. However, we have worked out a procedure whereby you can make a pattern for almost any style of eye glasses case. We will use a standard pair of glasses, with actual size drawings, and show you how to make the patterns for your own glasses. Follow the same directions given to make a case for any style or size of eye glass frames. Study the directions, they apply to any pair of glasses. Use 6-7 oz. cowhide for the case.

### MAKE THE PATTERN

STUDY THE DIAGRAM. CAREFULLY FOLLOW THE STEP-BY-STEP INSTRUCTIONS!

- ① Lay glasses, lens down, on paper and trace outline. Hold pencil perpendicular.
- ② This line is the underside of folded ear pieces.
- ③ Unfold ear pieces, mark at bridge of nose.
- ④ Draw a line  $1/8''$  below each lens frame.
- ⑤ Draw a parallel line  $5/16''$  below line (4).
- ⑥ Begin drawing a line  $1/4''$  below hinged ear piece, at left, and roughly parallel top of frame. Dip line  $1/4''$  under bridge (3) and continue to opposite side,  $1/4''$  below hinge.
- ⑦ Draw a line  $1/8''$  outside of frame, from line (6) curving down to line (4).
- ⑧ Draw a line at top of frame, paralleling (4).
- ⑨ Draw a line from (8) to (4) paralleling line (7) and  $3/8''$  out from it.
- ⑩ Lay tracing paper over pattern and re-draw lines (6)-(9)-(4).
- ⑪ Flop tracing, align (4) with (5). Transfer lines (6)-(9) to make front of the case.
- ⑫ Draw a line parallel to (8). Distance is total thickness of glasses (see B above, in top view of glasses).
- ⑬ Use tracing paper again, re-draw lines (8)-(4)-(9).
- ⑭ Flop tracing, align (8) with top line of (12). Transfer lines (4)-(9) to make the flap.
- ⑮ Add  $1/8''$  to flap and round the corners.
- ⑯ Connect lines (4)-(5).
- ⑰ Sketch in line connecting lines (12).
- ⑱ See instructions on pattern above, then continue with steps 19 through 22.

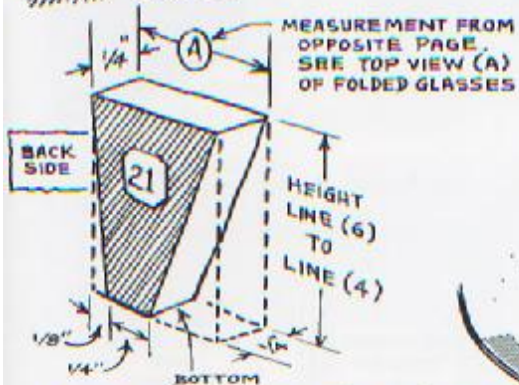




## FILLERS

**21** These numbers appear in the shaded areas on the sketch (opposite page).

**21** This is the bridge filler. It prevents the case from being crushed.



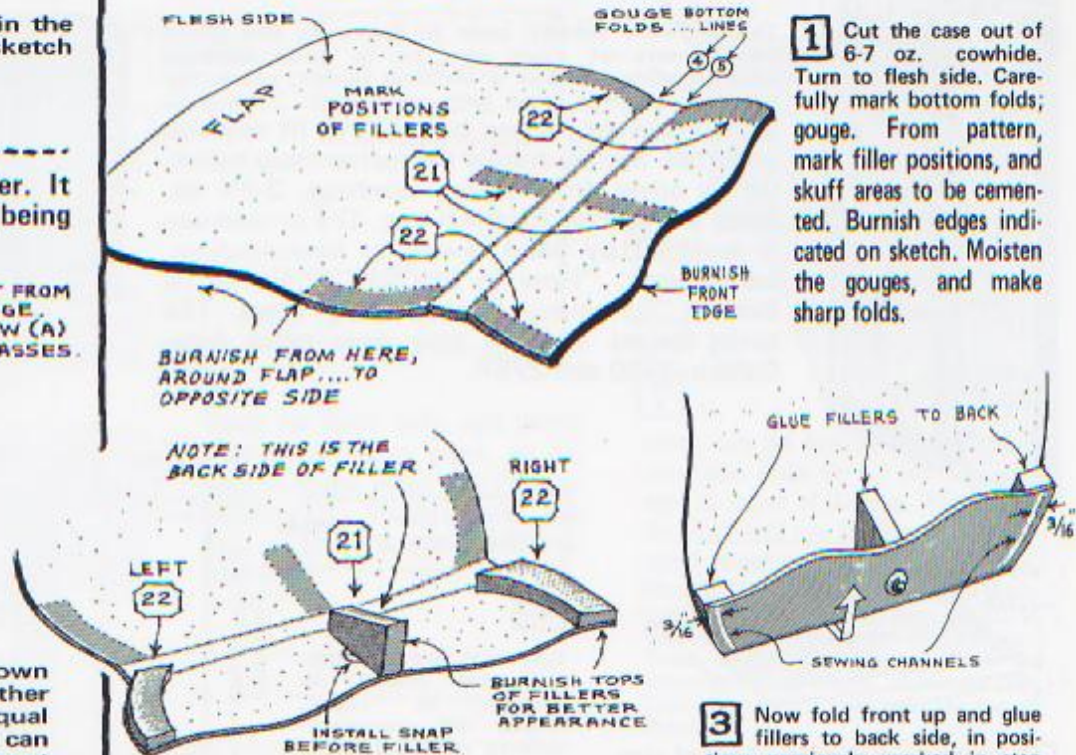
Cut filler to dimensions shown above. . . from  $\frac{1}{4}$ " thick leather (or glue leathers together to equal  $\frac{1}{4}$ " in thickness). This piece can be made of plywood. Note: Front tapers in more than back side.

**22** These are the side fillers.



Cut these fillers from patterns on the opposite page. They should also be  $\frac{1}{4}$ " thick, as with (21). They cannot be made of wood.

## EYE GLASSES CASE - Assembly



**1** Cut the case out of 6-7 oz. cowhide. Turn to flesh side. Carefully mark bottom folds; gouge. From pattern, mark filler positions, and skuff areas to be cemented. Burnish edges indicated on sketch. Moisten the gouges, and make sharp folds.

**2** Install a Belt Snap to the front. Glue fillers in place with strong bonding cement. Trim filler (21) to fit over base of snap, if necessary.

**3** Now fold front up and glue fillers to back side, in positions previously marked in step 1. Tap with hammer. Make sewing channels on front and backside, shown above.

**4** Sew the ends. Trim any unevenness and edge and burnish well.

**5** Moisten inside the top. Put glasses in case with ear pieces OUTSIDE the front leather. Fold over, locate position of snap cap and install. Case is complete.



Photo shows case carved, filigreed with gold leather backing, and gold piping sewn between the carved leather and the lining. Piping is made with a strip of leather, both edges skived, folded and glued together.

### ASSEMBLY PROCEDURE:

1-Carve, stamp, filigree the design. 2-Apply leather finish, working into all filigreed areas. 3-Glue backing to filigree, glue piping around edges. 4-Cement thin lining leather (oversize) inside. 5-Sew top edge of front; sew around sides and flap from filler (22) to (22). Trim off excess lining, next to stitching. 6-Continue assembly as with steps 2 through 5 above.



Photo showing how glasses fit in case. If carving design is used. . . carve and stamp before step 2.

## TRAVELING SECRETARY CASE



This is a very handy case to carry in the glove compartment of your car, or in your luggage while traveling. It has a writing tablet, place for envelopes, stamps, and pen or pencil. . . all in a compact package. It can be made to fit any size writing pad. Simply follow the instructions below. Cut the cover from 6 oz. cowhide, 2-2½ oz. leather is suggested for the lining. The project can be assembled by hand sewing or buckstitching. See the book: "How to BUCKSTITCH" by Al Stohman, for many buckstitching ideas. The carving designs for this case were taken from Craftaids. 2780 and 2787.

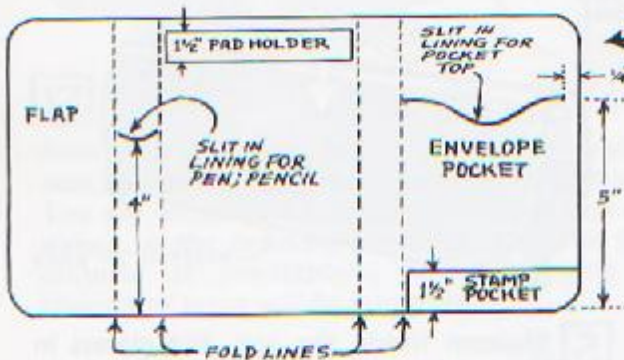
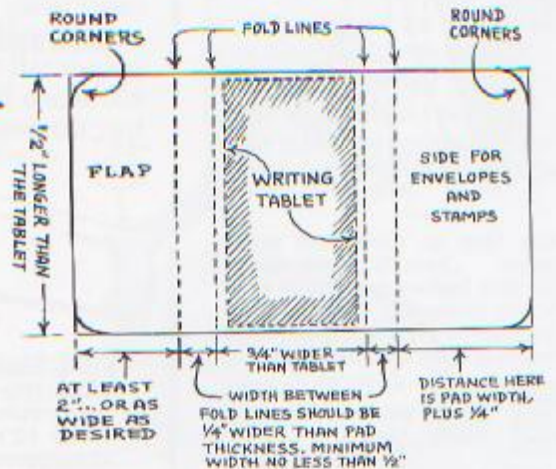


- 1** Purchase a small tablet of desired size preferably with a cardboard back. Measure: thickness-length-width.

### COVER PATTERN

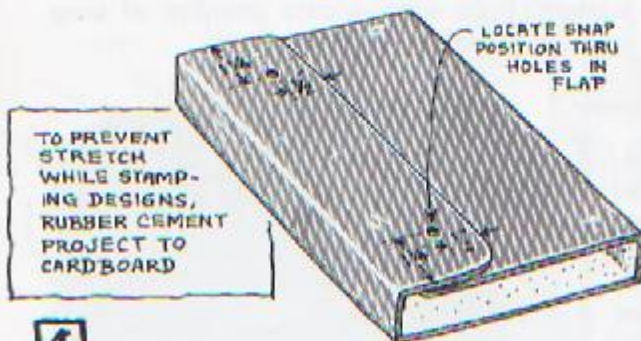
**2**

Lay out the pattern, for the cover, as shown at right. Make all measurements carefully. Be sure fold lines are square with top and bottom lines.



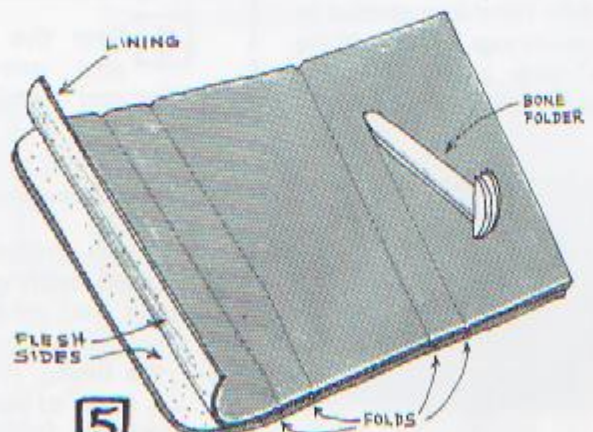
### LINING PATTERN

- 3** The outside dimensions (step 2) will also be the size of the lining pattern. Mark position of pen holder, within fold lines. Mark envelope pocket top, from fold line to within ¼" of side. Fit Pad Holder just inside fold lines, 1/16" on each side. Stamp Pocket fits 1/16" from fold and extends to side and bottom. Pad Holder and Stamp Pocket will be cut from 2-2½ oz. lining leather. . . same as lining for cover.



**4**

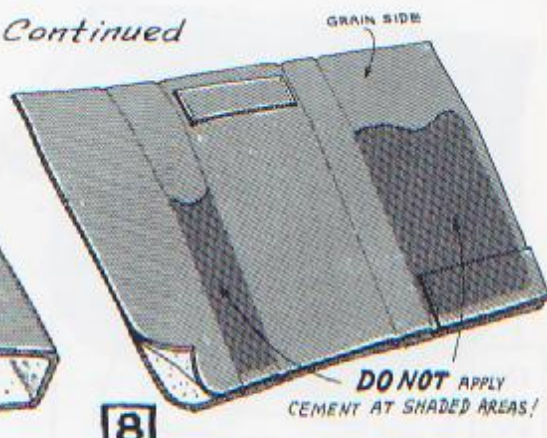
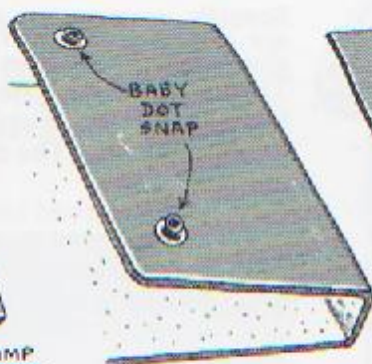
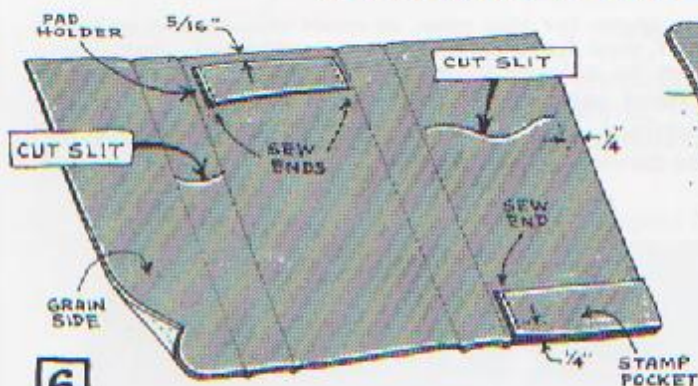
Cut out the cover. Make deep gouges on fold lines (flesh side). Moisten folds; crease sharply by tapping with hammer. Punch snap holes in flap, fold case together and mark through holes to locate snap positions on lower piece. If project is to be carved or decorated. . . do so at this time.



**5**

Cut the lining leather slightly oversize. Place on cover and carefully press creases in gouged fold lines, to establish their locations on the lining leather. Cut out the Pad Holder and Stamp Pocket (see step 3).

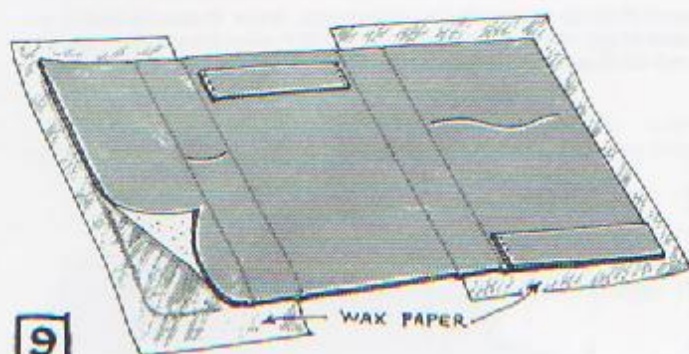
## TRAVELING SECRETARY CASE - Continued



**6** Cut slits in lining leather for pen and top of envelope pocket (see step 3 for location). Cement ends of Pad Holder; set down  $5/16$ " from top edge. Sew ends to lining. Cement only the sides and bottom edges of Stamp Pocket to lining. Sew the end (shown) to within  $1/4$ " of the bottom. Study the sketch above.

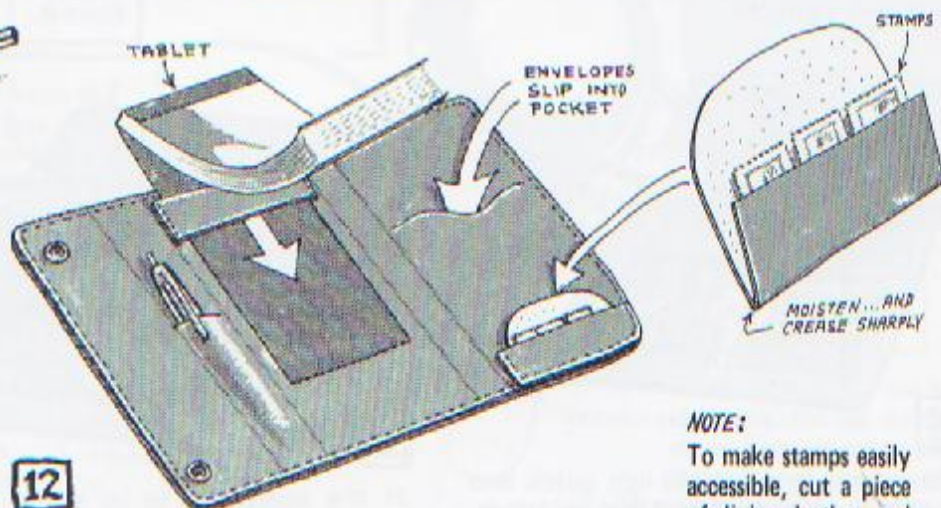
**7** Install snaps to the pocket side of the cover. Do not install snaps in flap.

Now, turn cover and lining flesh sides up and apply rubber cement to all areas except shaded areas (above). Turn lining to grain side up and adhere to cover. Be sure fold lines are properly aligned. Also, be sure you have  $5/16$ " above pad holder (step 6).



**9** NOTE: To aid in properly aligning and adhering, place wax papers between lining and cover, as shown. Adhere center section first, when in proper position. Slowly remove wax papers to adhere the outer sections.

**10** Rub all cemented areas with the bone folder. Trim off excess lining. Sew, or buckstitch around the project. Burnish the edges. Install the flap snaps. Moisten lining at folds and crease sharply. Fold and snap together to "set" the folds. When dry, apply leather finish.



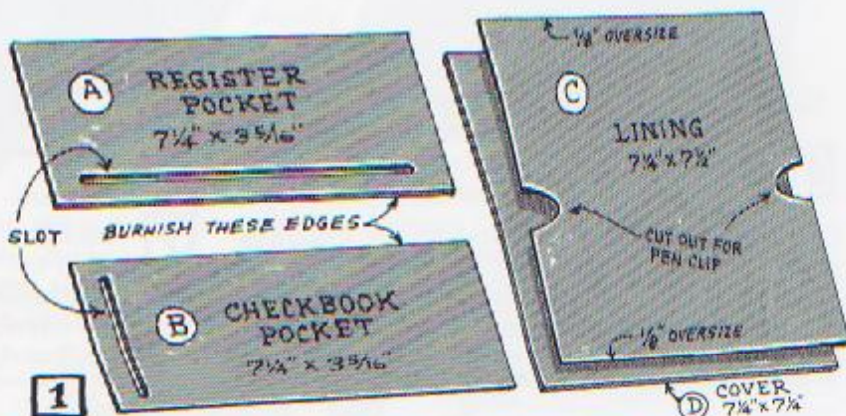
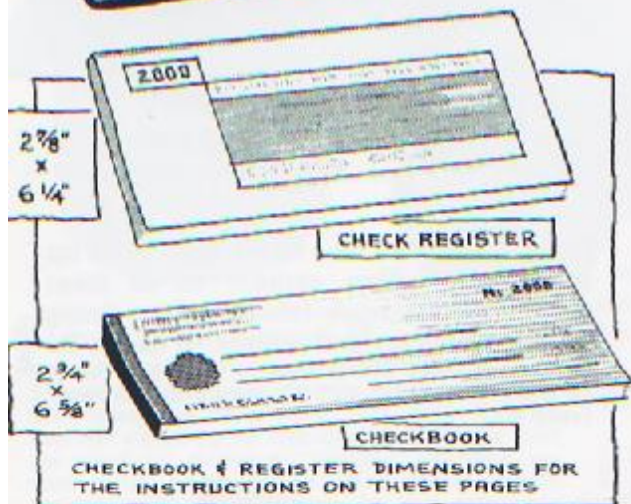
**11** Moisten the lining leather (between folds) for the pen holder, and insert a pen or pencil into the slit. Force it in to stretch the leather. . . to accommodate the pen. Allow to dry with pen in place.

**12** Insert cardboard back of tablet under Pad Holder and pull all the way down, to install tablet. If necessary, trim width of cardboard back.

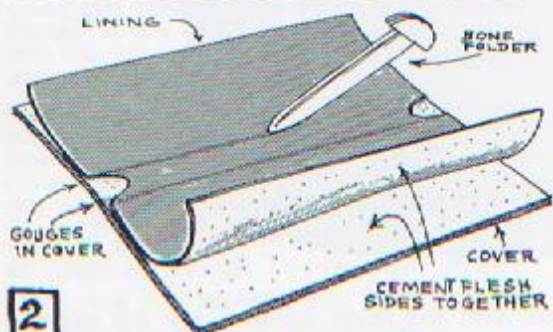
**NOTE:** To make stamps easily accessible, cut a piece of lining leather and fold as shown. Slip assembly into Stamp Pocket.

## CHECKBOOK CASE

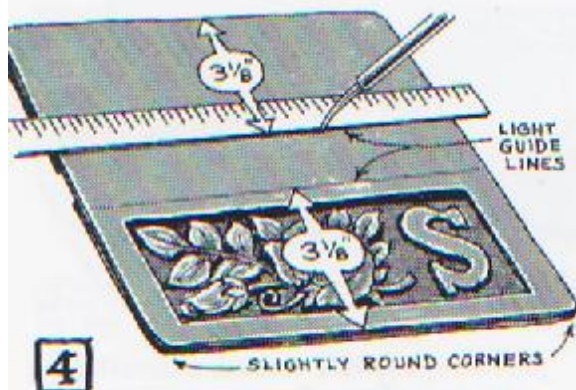
Specific patterns are given for this case, as most checks and registers are the same size. If you have different measurements, than those shown, you will have to enlarge or reduce the patterns accordingly. The cover can be hand sewn, or buckstitched (as shown). For full buckstitching instructions, see the book: "How to BUCKSTITCH" by Al Stohlman. The carving design is from Craftaid No. 2683.



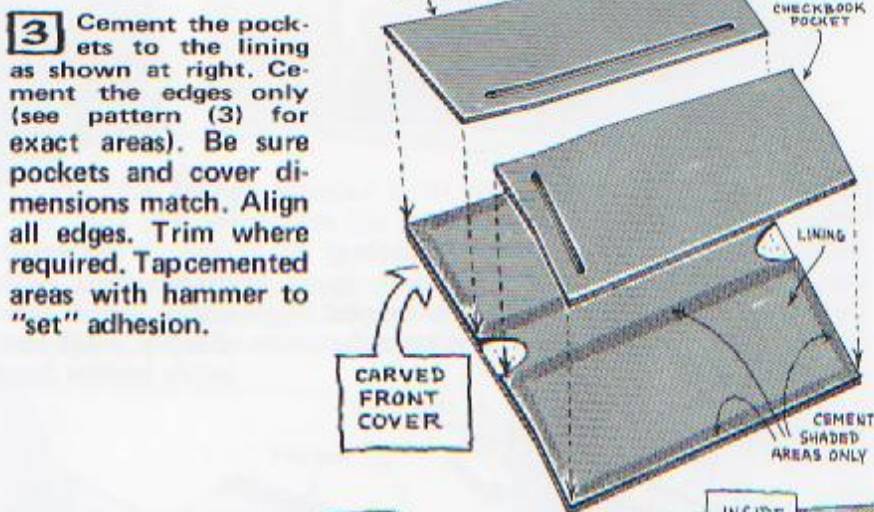
Cut out the parts. Parts A-B-D from 4 oz. cowhide. Part C from 2-2 1/2 oz. leather, cut out for pen clip, note sides are cut 1/8" oversize (see above). Cut slots in parts A and B. Cut dimensions as accurately as possible.



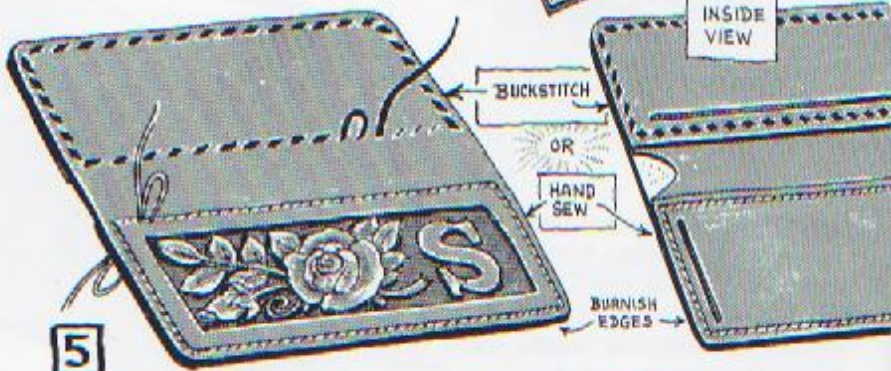
Carve cover design. Gouge folds on flesh side. Cement lining to cover. . . pen clip cut-out centers over gouges. Crease lining in gouges (see pattern (2) for areas to cement). Trim excess.



Turn cover over and scribe a light guide line 3 1/8" from each side. This will be your stitching line to sew edge of pockets on opposite side. Check the measurements inside to be sure stitches will catch the pocket edges.



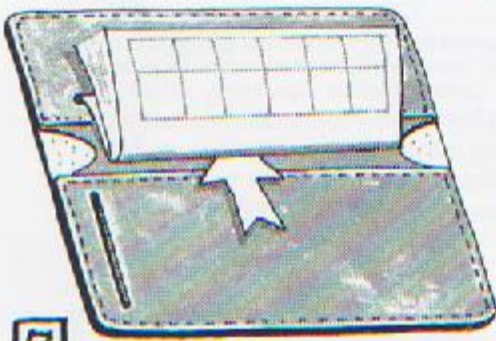
Cement the pockets to the lining as shown at right. Cement the edges only (see pattern (3) for exact areas). Be sure pockets and cover dimensions match. Align all edges. Trim where required. Tap cemented areas with hammer to "set" adhesion.



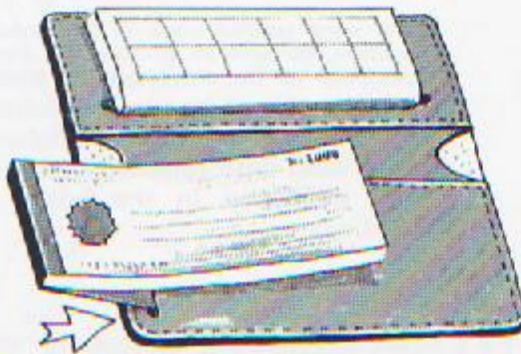
If the project is to be sewn, the guide line should be gouged for sewing channel. For buckstitching, see "How to BUCKSTITCH" book for variety of stitches, lacing, spacing, etc.

This view shows how stitches should appear inside. Burnish all edges; apply leather finish.

## CHECKBOOK CASE - Continued



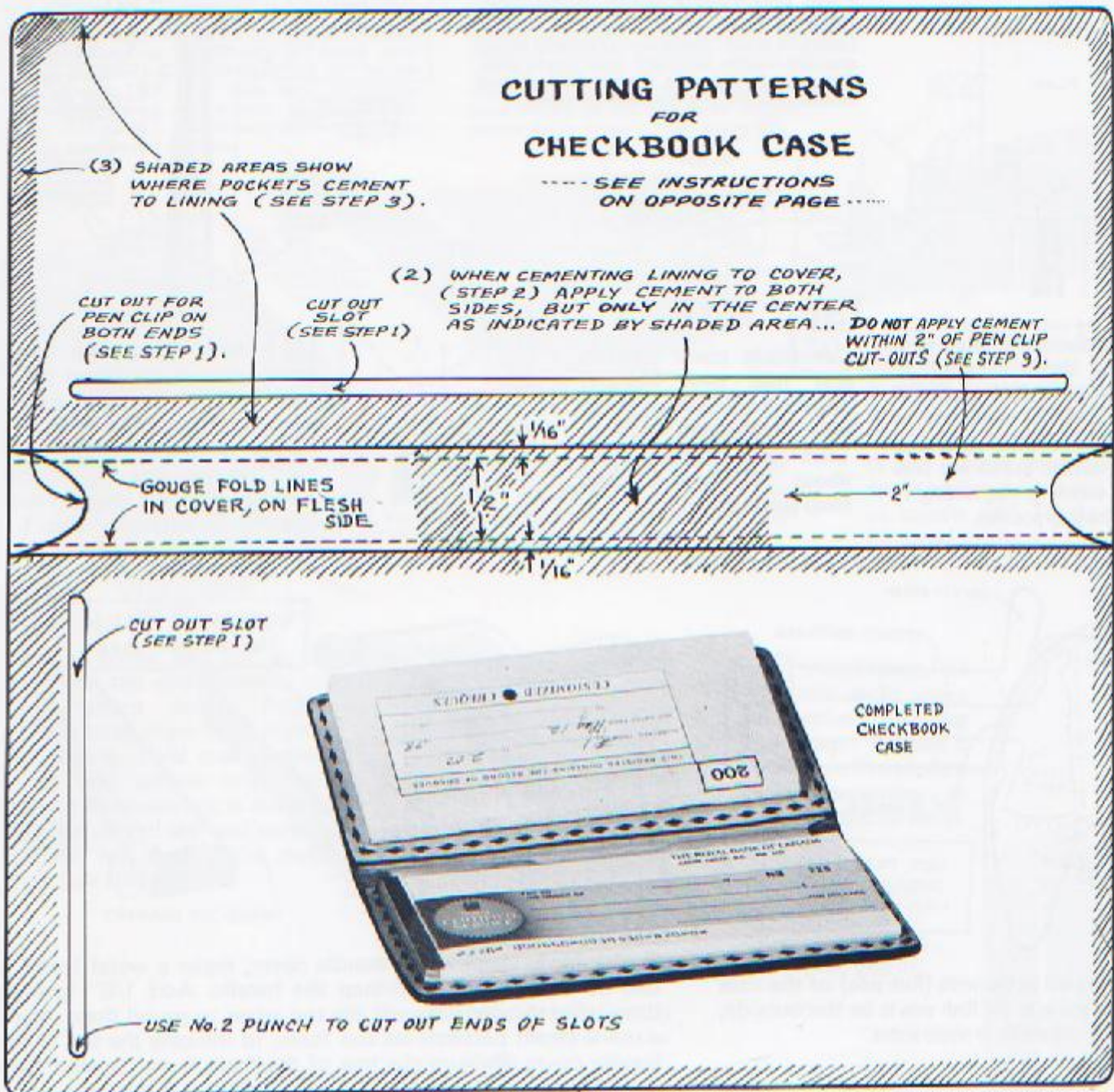
**7** Slip cover of register into pocket.



**8** Slip checkbook into pocket. Trim width and length for easier insertion, if necessary.



**9** Slide the clip on your pen under the cut-out of the lining. This will hold it in place ... ready for use.

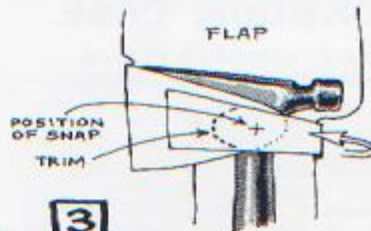
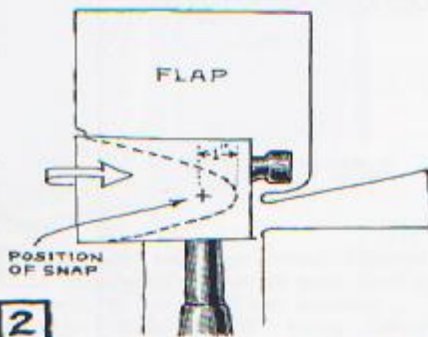
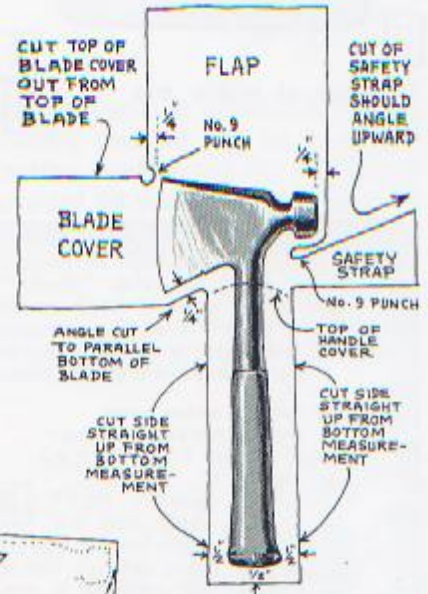


## HATCHET CASE

This very useful case is designed to protect the cutting edge of the hatchet, as well as protecting the user from accidental cuts. It is also designed to be worn on the belt for comfortable carrying, allowing freedom of both hands. The following instructions should be observed to make a case for any hatchet. This case was made "rough-out" (flesh side) with recessed border for Buckstitching. This technique is fully explained in the book: "How to BUCKSTITCH", by Al Stohman.

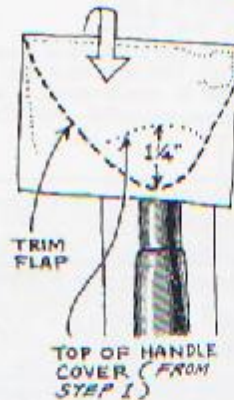


**1** Begin making the pattern as shown at right. Lay the hatchet on a large sheet of paper, draw around its outline. Be sure to allow enough length for: Blade Cover, Flap, and Safety Strap. Mark position of top of the handle cover (dotted line). Bottom of safety strap should come straight out from this. Study all of the dimensions and notations on the sketch at right.

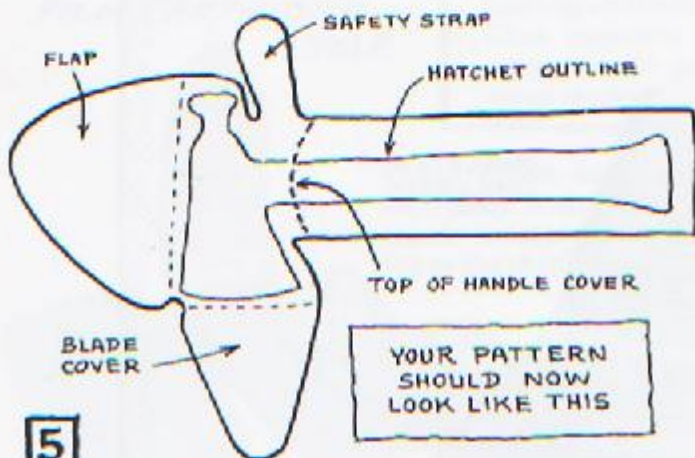


**2** Cut out the pattern (step 1). Lay hatchet in place and fold blade cover over. Fold flap should be about  $\frac{1}{4}$ " away from blade. Mark position of snap in center of handle and on same level as top cut of safety strap (nearest handle). Sketch line (dotted) for trimming. . .extending 1" beyond the snap position.

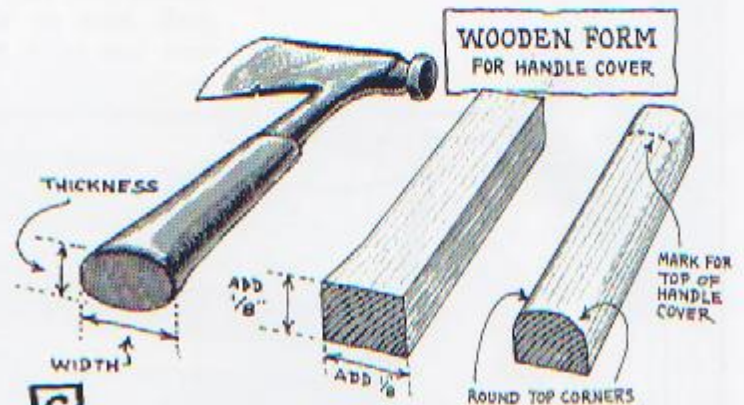
**3** Cut blade cover pattern and fold over hatchet again. Fold safety strap over, locate snap position. Trim off (dotted line) about 1" beyond the snap position.



**4** Now, fold flap over. Sketch the shape (broken line) of the flap, gracefully pointing down to the center of the handle. Allow  $\frac{1}{4}$ " beyond the top of the handle cover, which was marked on pattern in step 1.

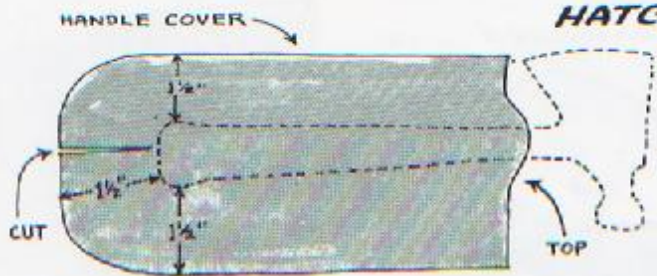


**5** NOTE: This will be the inside (flesh side) of the case . . . unless you wish the flesh side to be the outside, as with the one shown in photo above.

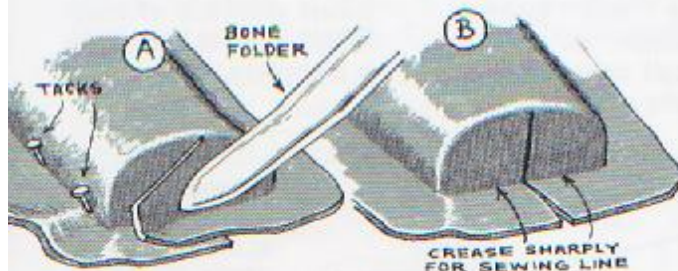


**6** To facilitate shaping the handle cover, make a wood form. It can be 1" or so longer than the handle. Add  $\frac{1}{8}$ " to each dimension shown. Rasp off the top edges to round them. Make a mark (from pattern) on the form, to indicate the top of the handle cover. Be sure the top of the form is not smaller than the bottom.

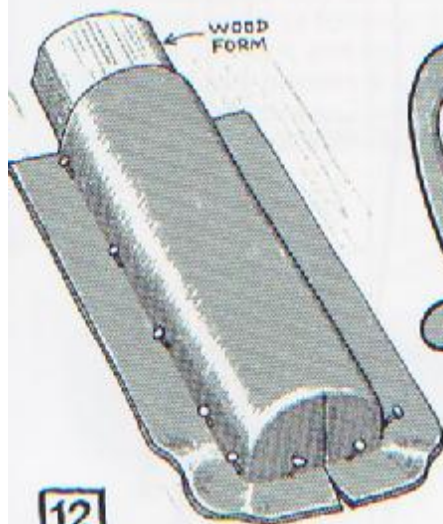
## HATCHET CASE - Continued



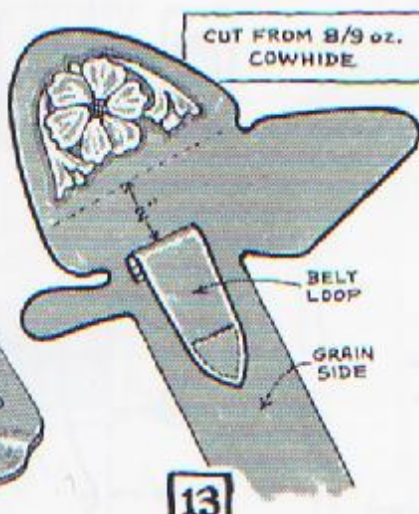
**7** Cut the handle cover from 7-8 oz. cowhide as shown above. Make a cut at bottom, beginning about  $\frac{1}{4}$ " from end of handle. Round the top a bit, as illustrated. "Case" the leather (explained on page 3).



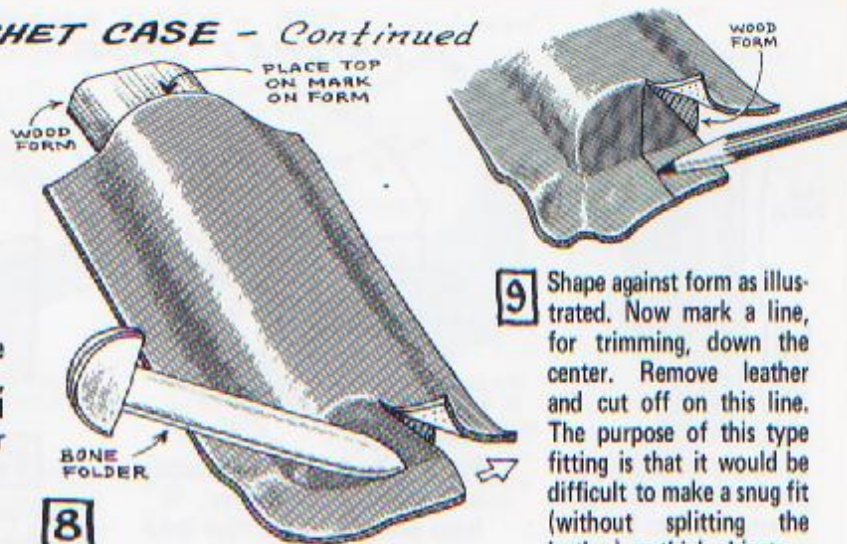
**10** Replace leather on form and re-fit first side (A). Tack, if necessary, to hold while you shape the opposite side. Work the bone folder until you have the leather fitted tightly against the form. Mark and trim (as in step 9) so that both sides meet in a butt joint (B). Trim each side, as required, to make a good fit.



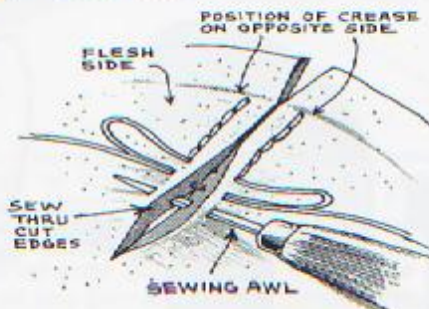
**12** After sewing, turn leather back to right side and re-fit on form. Tap stitched area with hammer. Shape bottom and sides with bone folder. Tack in place, and allow to dry thoroughly before removing.



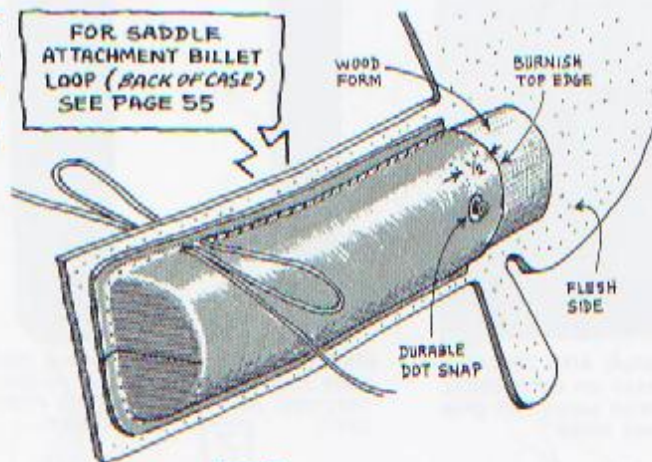
**13** Cut the case from 8-9 oz. cowhide. . . from pattern (step 5). Bear in mind the flesh and grain sides. Carve the flap at this time. Burnish edges shown in heavy line. Sew a belt loop to the back, about 2" down from flap fold.



**8** Center the cased leather on wood form, with top at mark. Begin shaping at bottom corner, forcing the leather (at cut) as far as it will go. Press around the side, press firmly against the form.

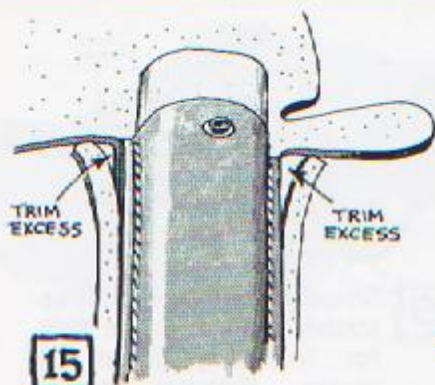


**11** Now, turn the leather inside out and abut the fitted edges. Begin sewing at the "sewing line" (crease on opposite side) and sew the butt joint together. Note the awl goes through the edges, so no stitches will appear on the grain side (outside). Pull stitches tight. NOTE: If starting with a knotted thread, it is permissible to leave it inside the case.



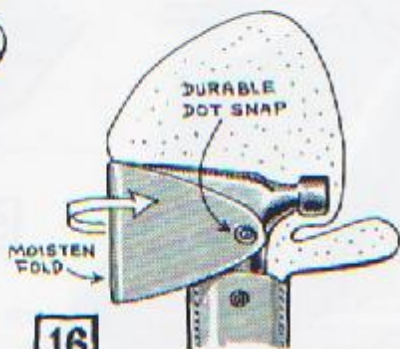
**14** Remove handle cover from the form and burnish the top edge. Install a snap, in center,  $\frac{1}{8}$ " from edge. Trim sides and bottom  $\frac{1}{8}$ " from the crease (same as step 9, page 20). "Wheel" for sewing. With wood form in place, cement handle cover to back piece. Top should be in same place as pattern. Place in stitching horse and sew cover to the back. (continued)

## HATCHET CASE - Continued



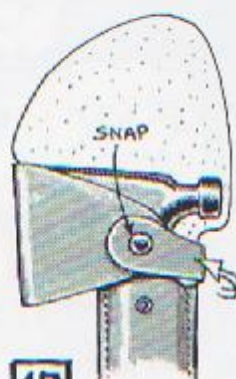
15

After sewing, trim off excess under blade cover, safety strap, and down the sides. Burnish edges. Remove wooden form. If form is difficult to remove, see page 37.



16

Put hatchet in case. Install snap on blade cover,  $\frac{3}{8}$ " from end. Moisten the fold well, fold over and tap sharply with hammer to "set" the fold.



17

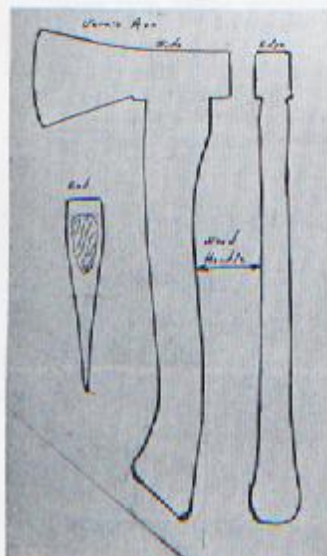
Fold safety strap over and locate position of snap. Install snap cap to safety strap.



18

Fold flap over and locate position of snap. Install snap in flap. Case is complete.

## Making a HAND-AXE CASE ..... Without the Hand-Axe



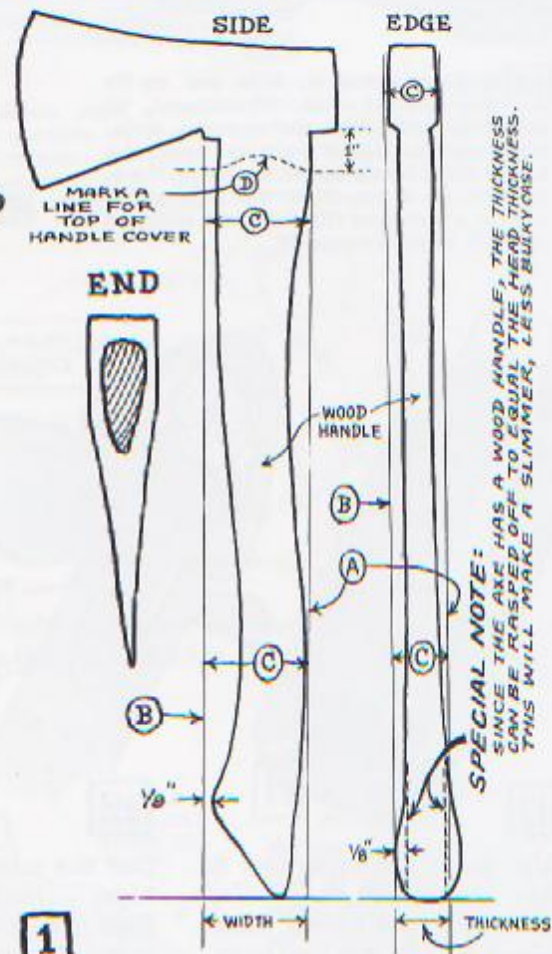
ACTUAL SIZE TRACINGS, MADE ON CARDBOARD, FROM WHICH THE CASE WAS MADE.



WOODEN FORM MADE FROM TRACINGS AT LEFT.



LEATHER CASE MADE FROM WOODEN FORM AT LEFT.

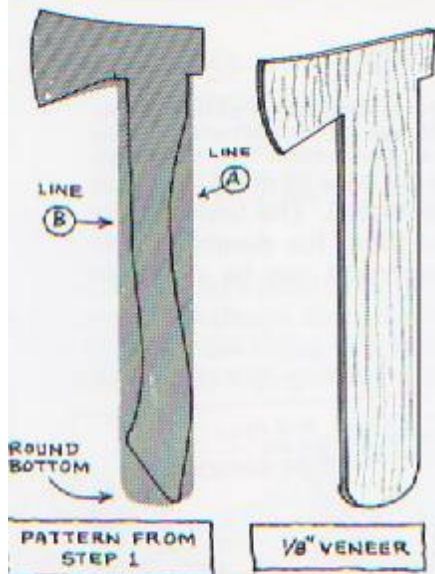


1

To determine the size of the wood form, for the handle part, draw a line (A) next to the tracing. Next, draw a line (B)  $\frac{1}{8}$ " away from the widest part. Arrows (C) indicate lines should be parallel all the way up. Add line (D) for the top of the handle cover.

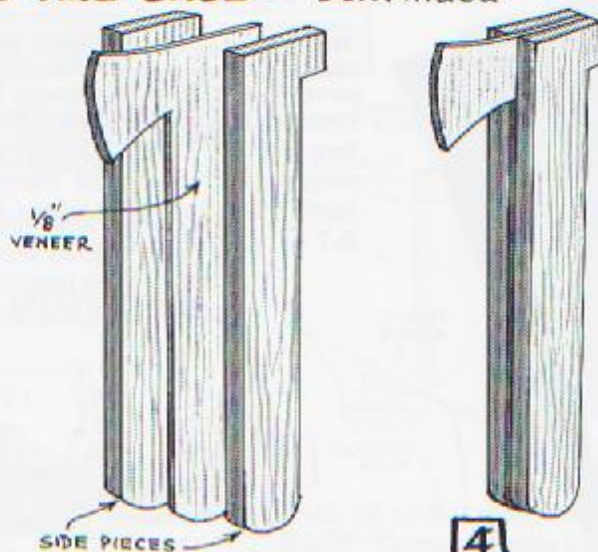


## HAND-AXE CASE - Continued



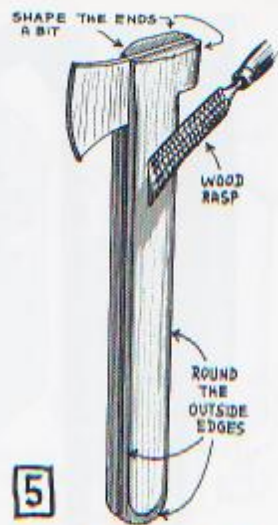
**2** Now, cut out the core of your wood form from 1/8" veneer, masonite, or other thin material. See shaded area above.

**6** Make the pattern, following steps 1 through 5 on page 52. Since this has a rounded bottom, the handle cover will not have to be split as in steps 7 through 10 on page 53. Form with the bone folder, tack in crease, and allow to dry as previously instructed.

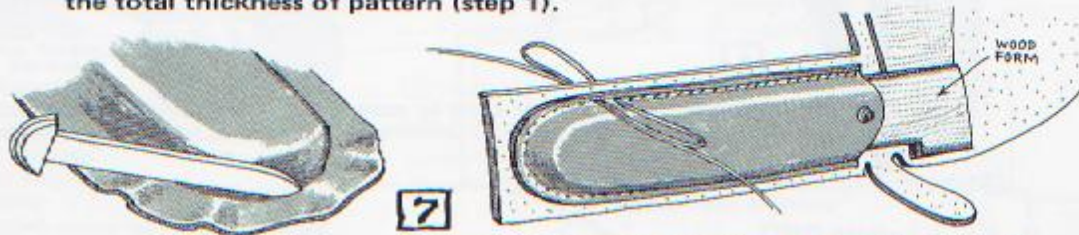


**3** Cut two side pieces from plywood or other material so that they (the side pieces) plus the 1/8" veneer will equal the total thickness of pattern (step 1).

**4** Glue them all together as shown above.

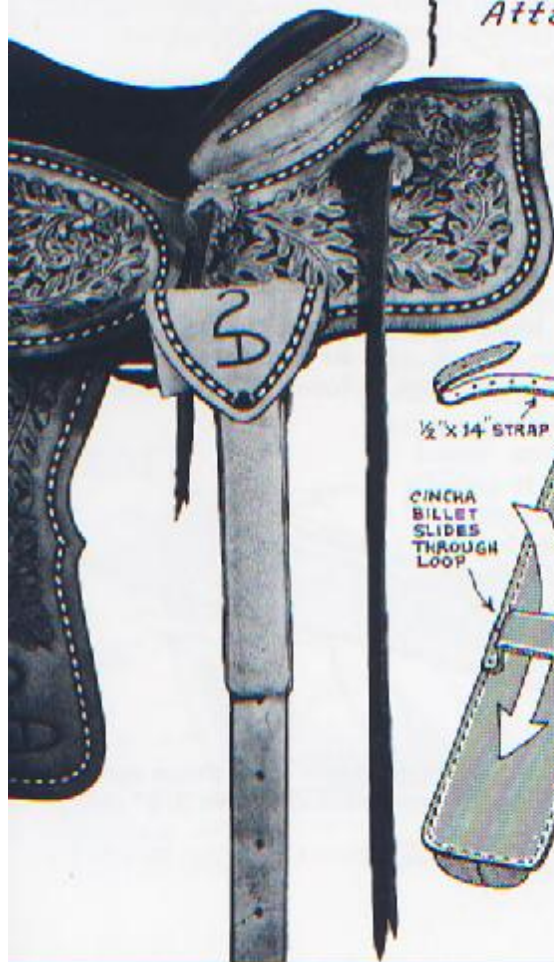


**5** Take a rasp and shape the form a bit at the end. Round the sides and bottom that will be the front of the case.



**7** Complete the case as instructed in steps 12 through 18 on pages 53 and 54.

## Attaching the HATCHET CASE to a Saddle

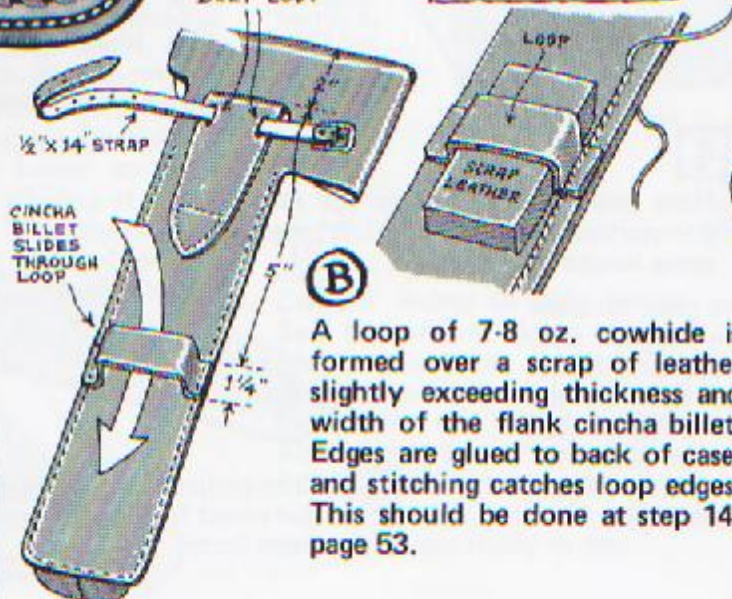


**A** Run a strap through belt loop (below). Sew a loop on the back of the case for the cincha billet. This prevents case from flopping.

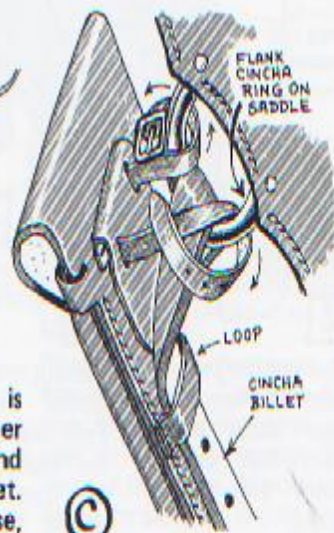
**D** Loop strap around flank cincha ring (below). Pull out all slack, buckle over the top of the straps.

PUNCH TWO 1/2" SLOTS IN BELT LOOP

BACK-SIDE VIEW



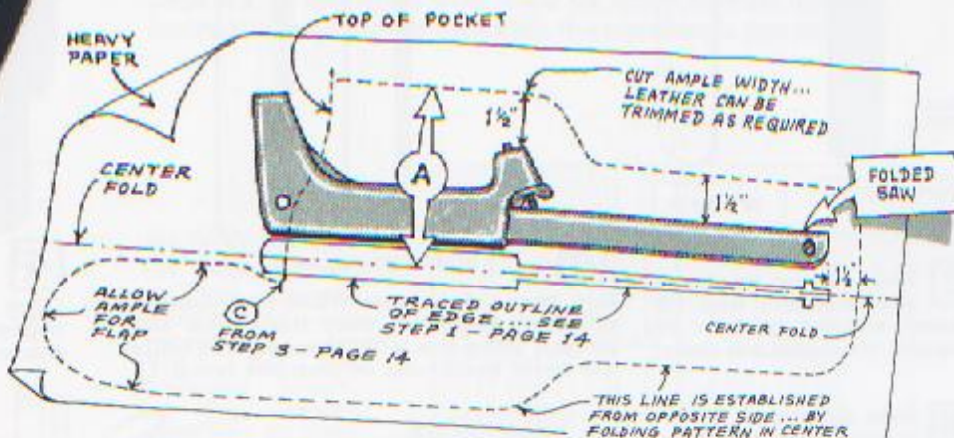
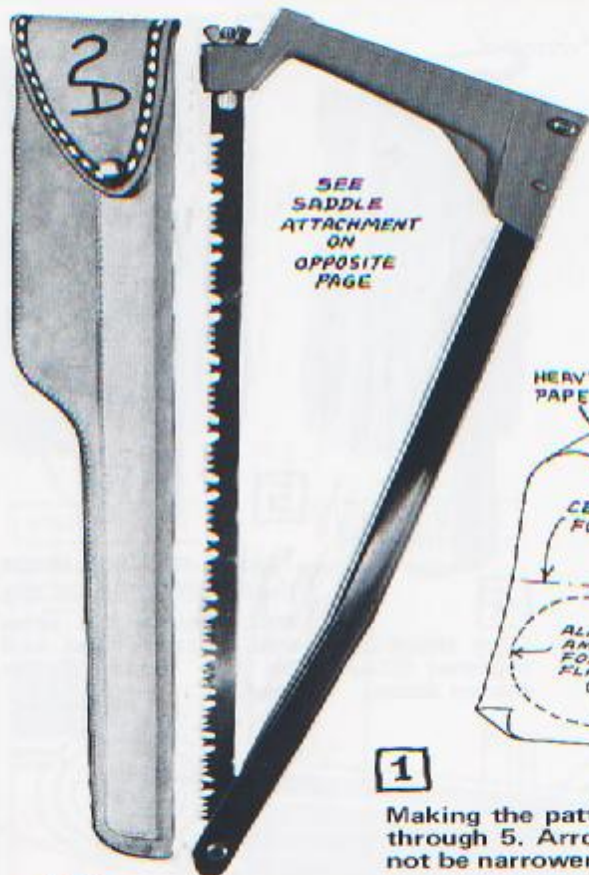
**B** A loop of 7-8 oz. cowhide is formed over a scrap of leather slightly exceeding thickness and width of the flank cincha billet. Edges are glued to back of case, and stitching catches loop edges. This should be done at step 14, page 53.



**C** To attach, pull cincha billet down through loop. Slide case up to flank cincha ring on saddle.

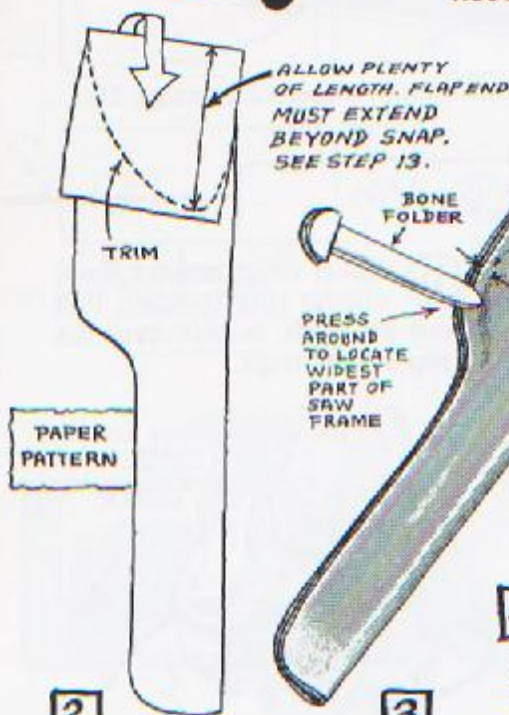
## FOLDING CAMP-SAW CASE

The making of any case generally follows the same procedures: Measure the Length, Width, and Thickness of the article. Allow extra width and thickness (as a rule) so the article can be easily removed from the case. Here we will show how to make cases for two similar types of FOLDING CAMP-SAWS. The body of the case should be made from 8-9 oz. cowhide, for durability and lasting service. The extra blade compartment can be cut from 6-7 oz. cowhide.



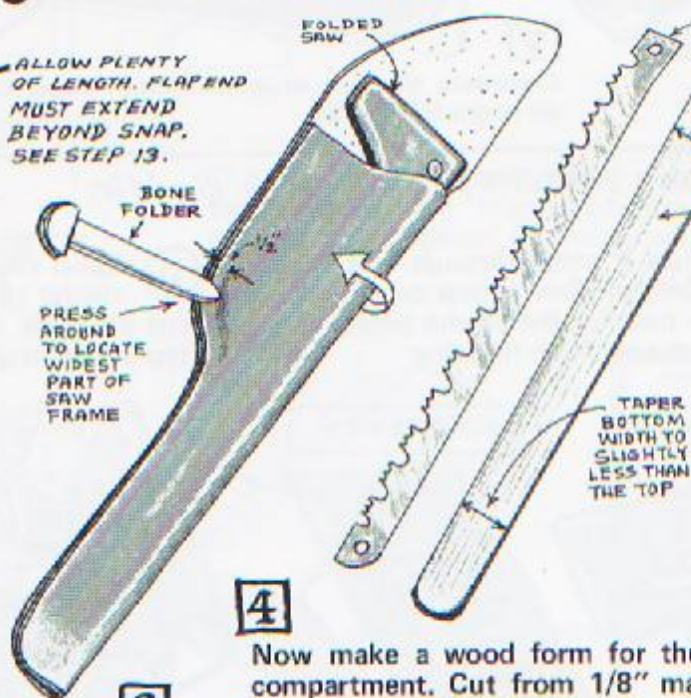
**1**

Making the pattern here is essentially the same as instructed on page 14... steps 1 through 5. Arrows (A) indicate the widest part of the pattern. Top opening should not be narrower.



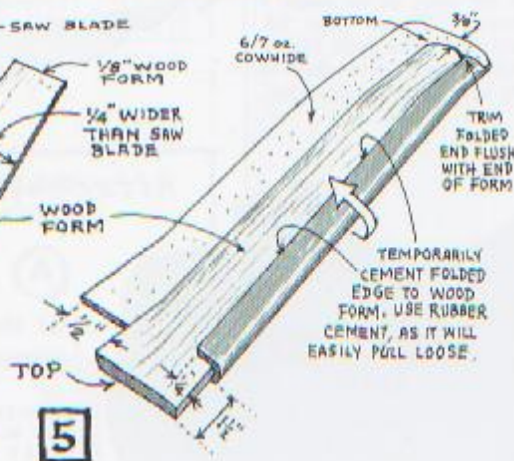
**2**

Cut out the paper pattern. Place the saw inside and fold flap over. Mark for trimming.



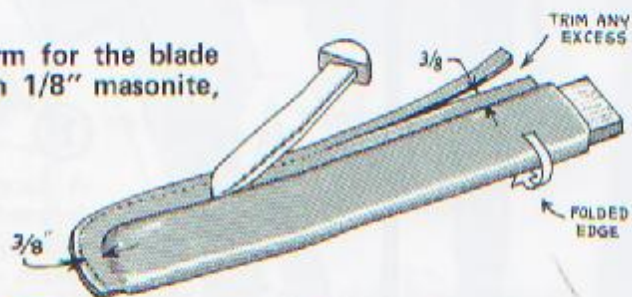
**3**

Cut out the case, moisten leather on flesh side. Fold over saw and locate the widest part of the saw frame. Edge of case should be at least  $\frac{1}{2}$ " away. Trim any excess; equalize both sides.



**5**

Cut blade compartment leather to length shown above, and of ample width. Rubber cement one edge to form, as illustrated above.



**6**

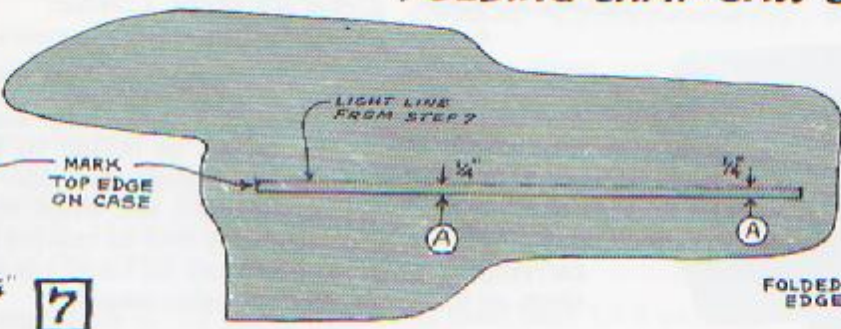
Turn project over. Moisten leather and shape against the wood form at side and bottom. Trim  $\frac{3}{8}$ " from form.

FOLDING CAMP-SAW CASE - Continued



7

Place the blade compartment on top of the folded case,  $\frac{1}{4}$ " from the folded edge. Scribe a light guide line, as shown. Be sure line is parallel to the edge.

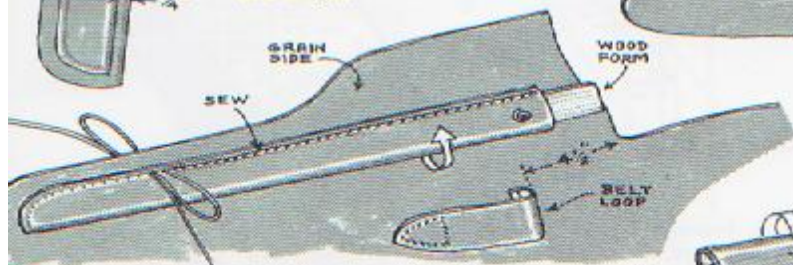
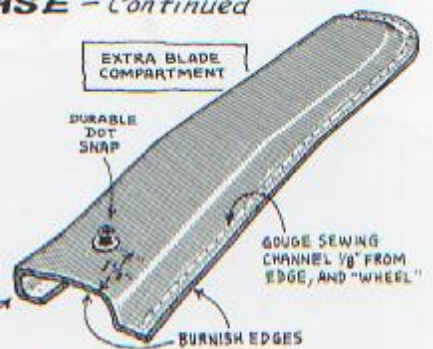


8

Lay case out flat. Now draw a firm line (A)  $\frac{1}{4}$ " from the light line, as shown above.

9

Remove form from blade compartment; burnish edges. Prepare sewing channel. Install snap about  $1\frac{1}{2}$ " from the top, in the center.

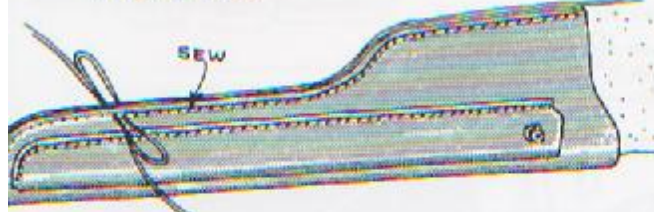
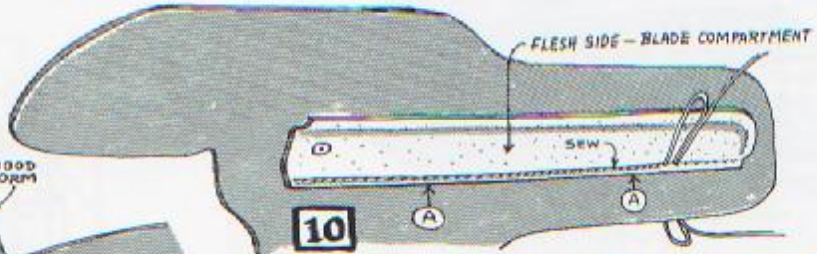


11

After sewing (step 10) fold compartment over wood form, and complete sewing it to the case. Remove the wood form. Sew a belt loop to back.

10

Straighten folded edge of blade compartment. Turn flesh side up and cement edge to line (A). Sew this edge to the case as indicated above.

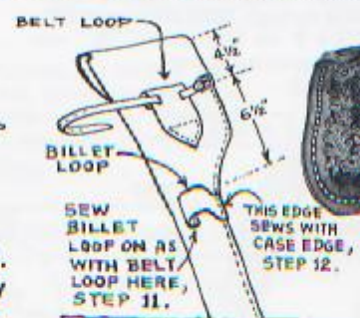


12

Fold case together; sew outside edges. Trim and burnish.

13

Place saw inside case. Fold flap, make any additional trimmings. Locate position of snap and install. Case is complete.

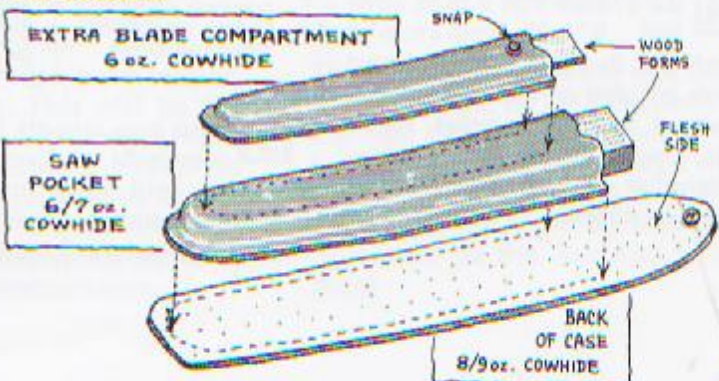
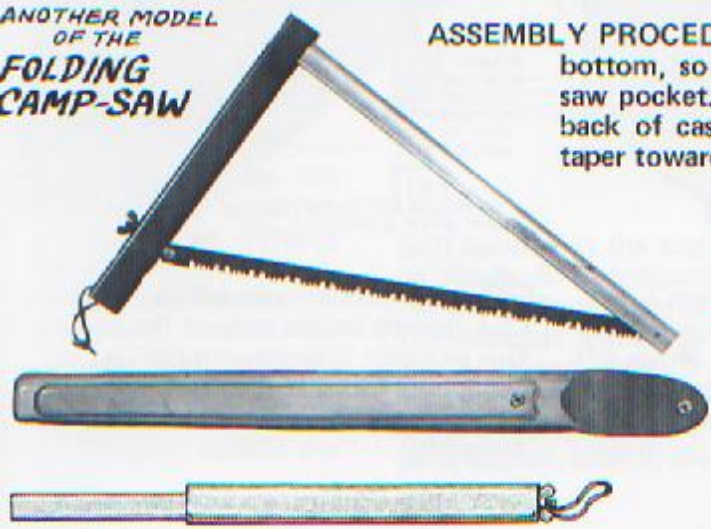


THESE CASES CAN BE CARRIED ON SADDLE AS WITH HATCHET... SEE PAGE 55



ANOTHER MODEL OF THE FOLDING CAMP-SAW

ASSEMBLY PROCEDURE: This blade compartment sews at both sides and bottom, so shape leather over wooden form. Install snap. Sew to saw pocket. Shape saw pocket over wood form. Sew belt loop to back of case. Sew pocket to case. NOTE: Wooden forms should taper toward the bottom.



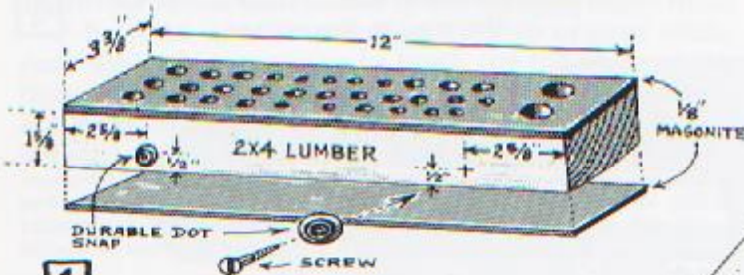


## Simplified CARRYING CASE

FOR LEATHERCRAFT STAMPING TOOLS

The principles for this easy-to-make case can be applied to other cases as well. The tool holder is made of standard 2 x 4 construction lumber, with a top and bottom of 1/8" masonite. Holes should be drilled to fit individual tools, to hold them in an upright position. The leather covering fits over the tool rack and snaps at the bottom sides, protecting the tools as well as making an attractive carrying case. The project can be laced (shown) or hand sewn, as illustrated in the double-step 7.

The cutting and carving patterns are shown on the opposite page 1/2 actual size. Draw 1" squares on a sheet of paper and transfer the lines to make the patterns actual size.



1

From 2 x 4 construction lumber, cut the tool rack to dimensions above. Glue a piece of masonite on top and drill holes completely through 2 x 4. Glue masonite to bottom to prevent tools falling through. Sand and varnish. Fasten snaps to 2 x 4 on both sides, 1/2" up from bottom (see suggestions above).

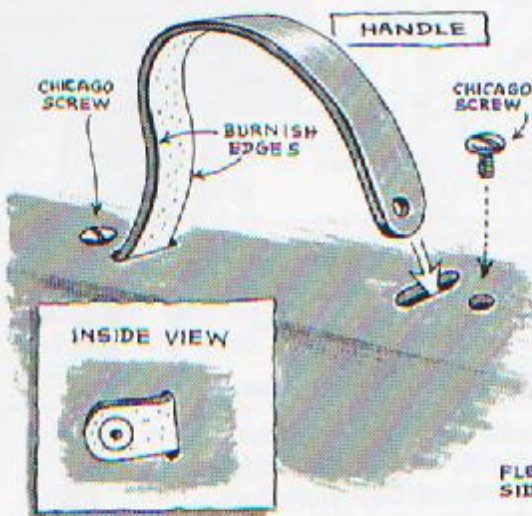


2

Cut the cover from 9-10 oz. cowhide. Carve; stamp design. Turn to flesh side, gouge fold lines (A). Turn to grain side, punch 3/4" slots (B). Punch holes (C) for rivets, or chicago screws. Check diameter of fasteners you desire to use.

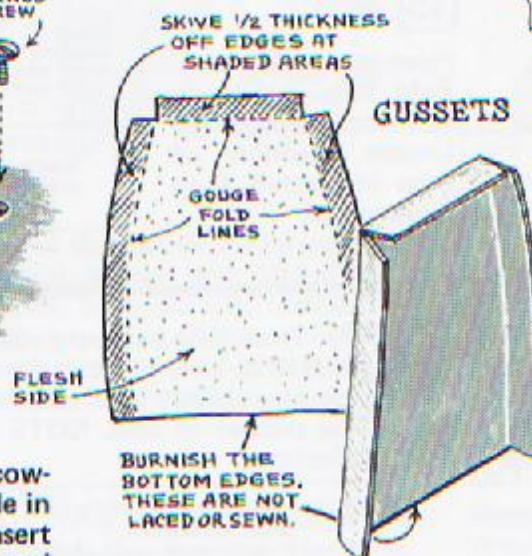
3

Cut a stiffener from 1/8" masonite 2 3/4" x 10 7/8". Cut slots and drill holes corresponding to those in step 2. Glue to top with strong bonding cement. Be sure to align slots & holes.



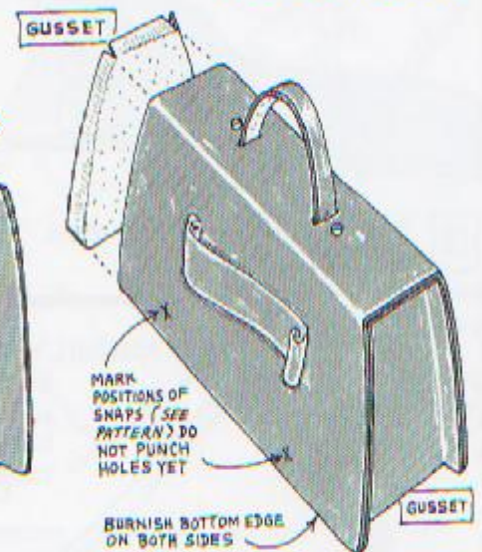
4

Cut a handle from 9-10 oz. cowhide. . 3/4" x 8". Punch a hole in each end. Burnish both edges. Insert ends into slots on top. Fold out and rivet or use chicago screws, use a No. 7 punch in the leather. Drill corresponding diameter hole in the masonite stiffener.



5

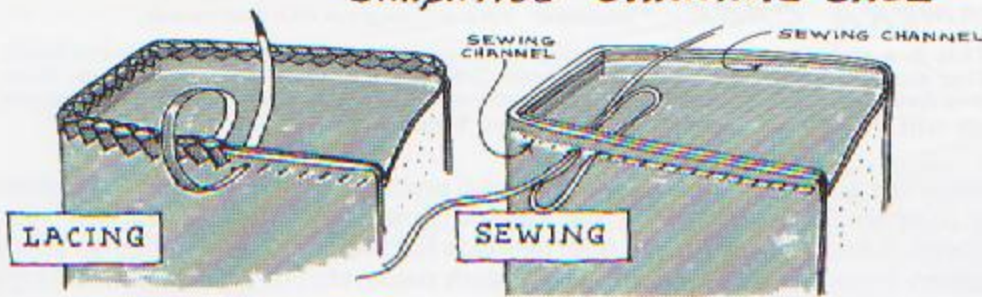
Cut two gussets from 7-8 oz. cowhide. Carve design. Gouge fold lines and skive off edge thickness. Moisten gouges, and fold outward, as shown.



6

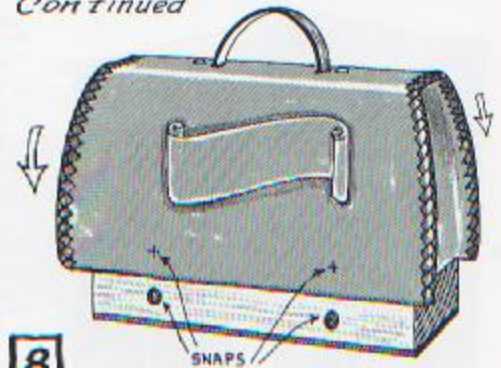
Use rubber cement and glue gussets inside ends of the cover. Our example is laced with 1/8" lacing . . . double loop stitch. If project is to be sewn, gouge all channels before assembly.

## Simplified CARRYING CASE - Continued

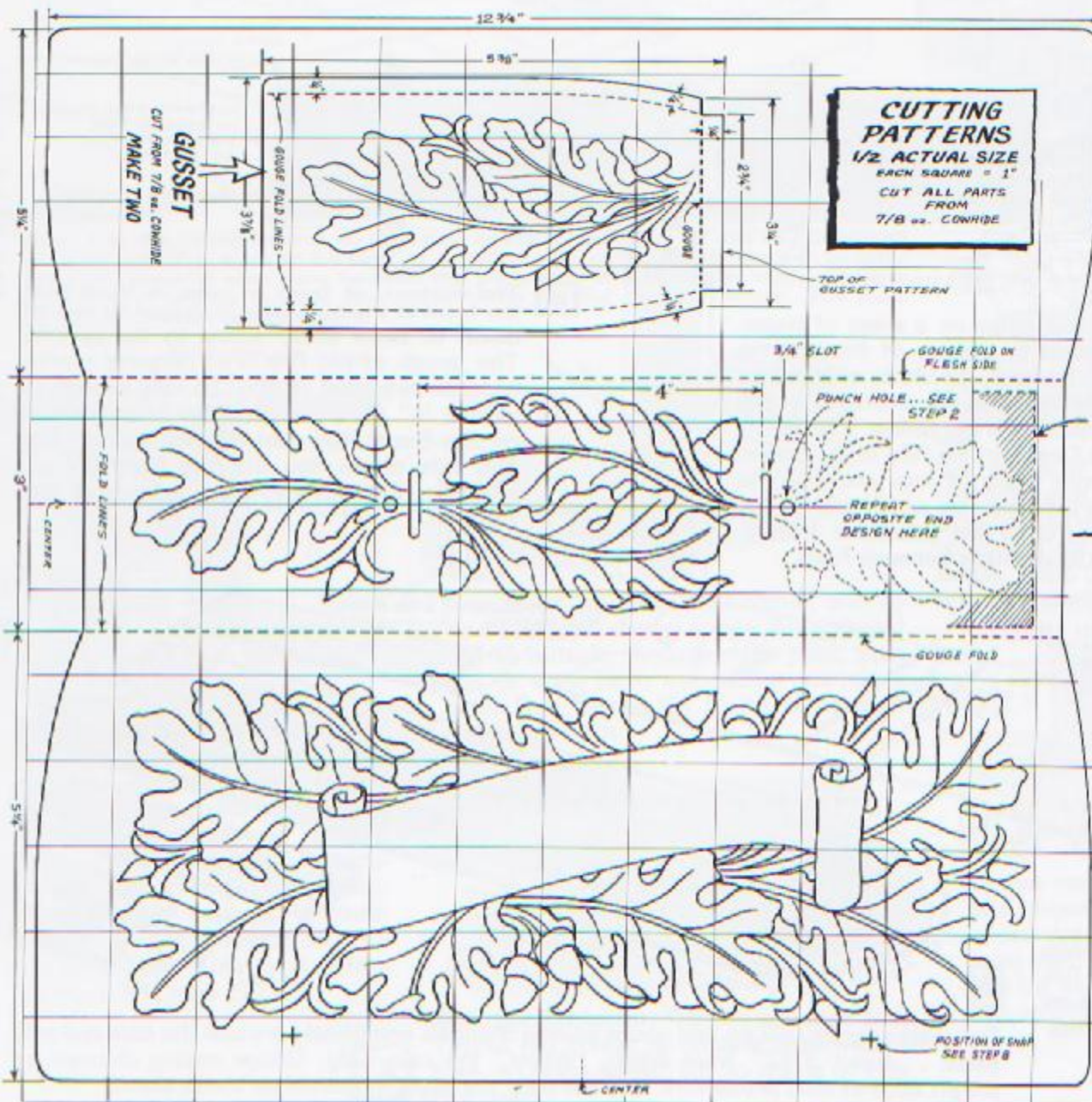


**7** To punch the lacing slits through gussets, fit a block of wood inside the gusset edge, to punch into. Laced edges do not have to be burnished. Lace around gusset sides and top only. If desired, . . . lacing can go completely around project.

**7** Sewing channels should also be gouged inside the gusset edges. Stitching should come out in channel. Burnish all edges after sewing.



**8** After step 7, fit cover over tool rack and align snap positions on cover with snaps on rack. Punch holes, install snaps. Case is complete.



**CUTTING PATTERNS**  
1/2 ACTUAL SIZE  
EACH SQUARE = 1"  
CUT ALL PARTS FROM 7/8" sq. CORNICE



**NOTE:**  
Space does not permit stamping instructions on the oak leaf design. Tools used, etc., can be found in many books featuring carving patterns.

1/8" MASONITE STIFFENER  
2 3/4" X 10 7/8"  
(SEE STEP 3)

**CUTTING PATTERN AND CARVING DESIGN**  
1/2 ACTUAL SIZE  
EACH SQUARE EQUALS ONE INCH

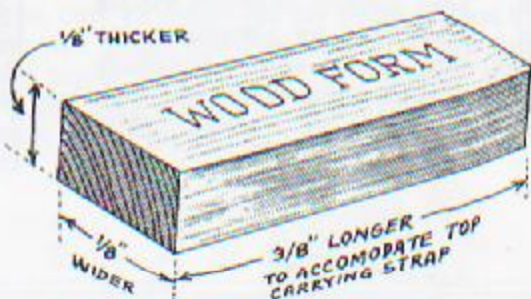
## CAMERA CASE KODAK TELE-INSTAMATIC 608



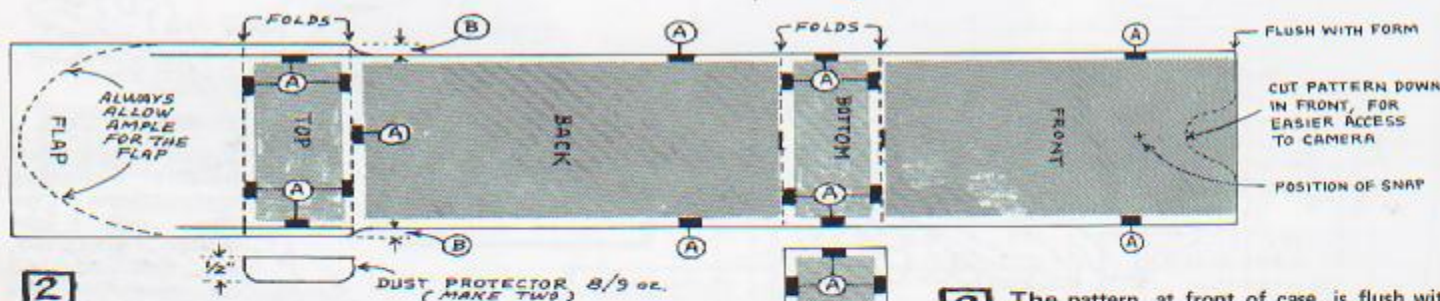
This is a simple box-type case, similar to others previously shown in the book. The exception is the "dust protectors" added to each side of the top. Also, this case has a lining leather to aid in protecting the camera. With this project, we will show you how to add these two features.

Since the outlines of this camera have no protrusions, a simple block of wood is used to facilitate making the case. It is easier to make cases over rigid forms. Subsequent cases can then be made for the same camera with no added expenditure of time. Label each form with name, etc., of the article for future identification.

**LEATHERS:** THIS CASE WAS MADE FROM 6/7 OZ. COWHIDE. USE 8/9 OZ. FOR "DUST PROTECTORS". LINING LEATHER IS 1 1/2 - 2 OZ.

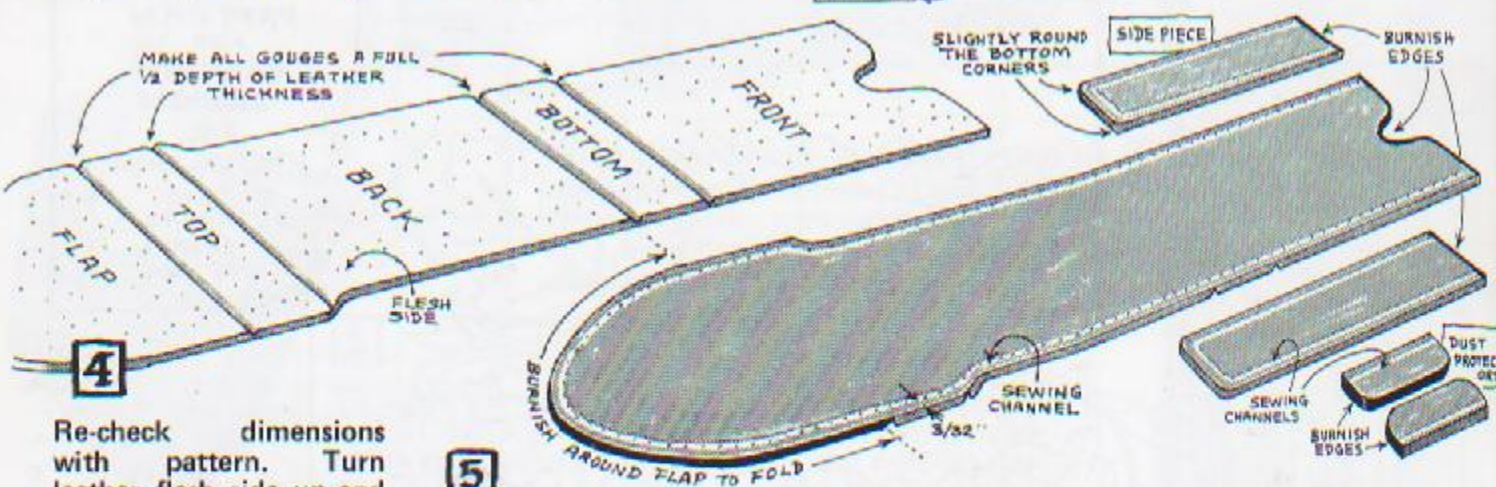


**1** The first step is to make the wood form. Carefully measure the camera and add to the dimensions, as indicated on sketch at left.



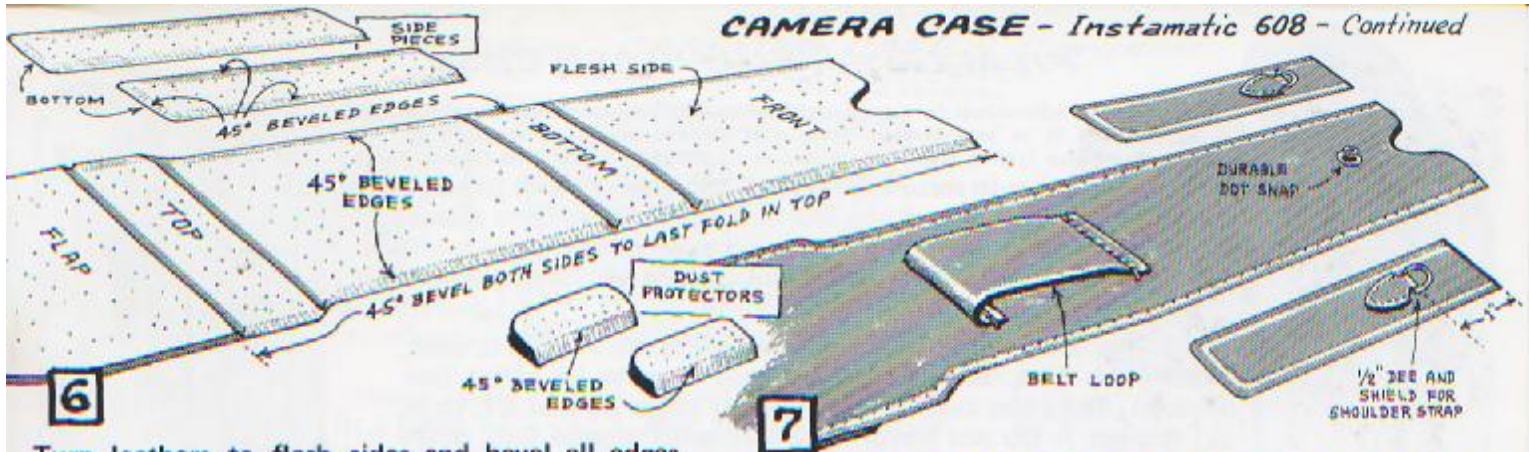
**2** Once again, lay out your pattern on a sheet of paper. The shaded areas indicate the position of the wooden form. Carefully study the sketch. The black, solid marks at (A) show all of the areas where the thickness of the leather, plus the thickness of the lining, must be added to the pattern. Clearly mark the fold lines. Arrows (B) show where pattern widens (at top and flap) to accommodate the dust protectors. This width will be the same as the thickness of the dust protector leather. Length of protectors equals distance between folds.

**3** The pattern, at front of case, is flush with the form at the top. Here it should be curved down to allow easier access to the camera. The length of the flap is of personal preference. In any case, it must be long enough to extend 1/2" to 3/4" beyond the snap position on the front. Now, cut out the leather. Cut two side pieces and the case from 6-7 oz. cowhide. Cut out two dust protectors (see pattern).



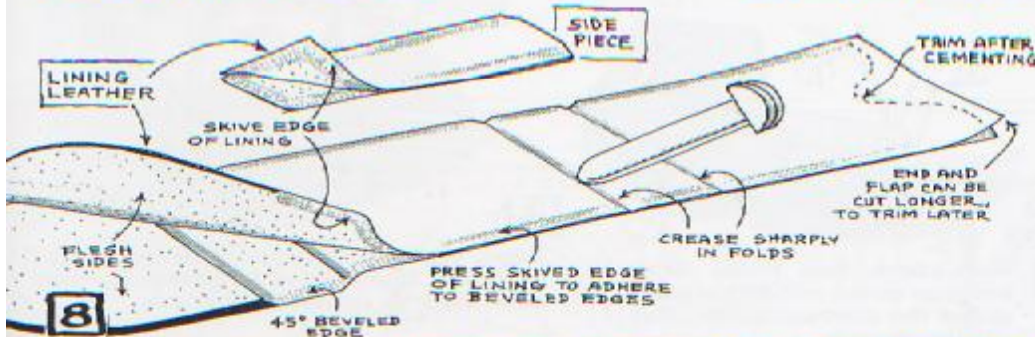
**4** Re-check dimensions with pattern. Turn leather flesh side up and make gouges at the folds.

**5** Turn leather grain side up and gouge sewing channels completely around the case and side pieces, about 3/32" from edges. "Wheel" the case only. Gouge sewing channel on straight edge of dust protectors. Burnish only the edges indicated on above sketch.

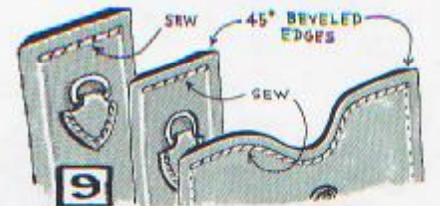


Turn leathers to flesh sides and bevel all edges (shown above) to a 45 degree angle with the French Edger (see step 5, page 31). This prepares the leathers for the miter joint.

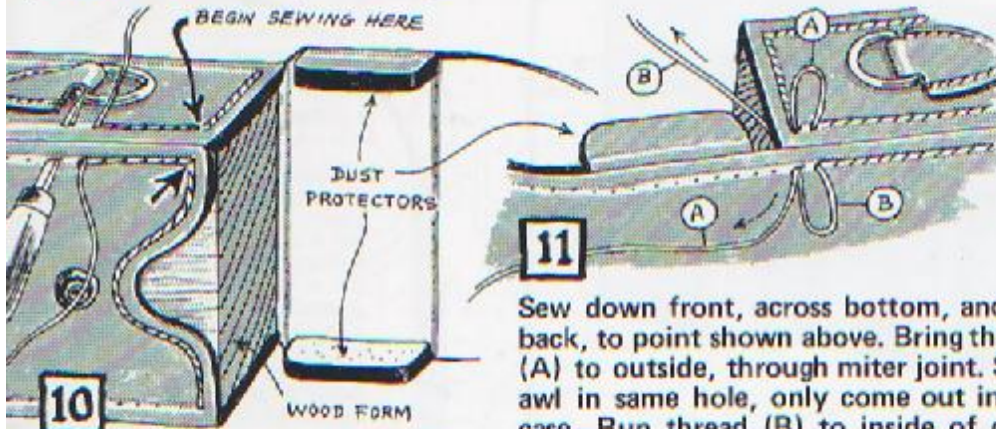
Turn leathers back to grain side. Install snap to the front. Sew belt loop to the back. If you wish to carry the case with a shoulder strap, install 1/2" dee assemblies to side pieces.



Now, cut the lining leather to the same width as the cover. It can be cut longer at front and flap ends to be sure of coverage. Skive the lining edges at exactly the same areas as you have beveled the parts with the 45 degree angle. Rubber cement the linings to case and sides, being careful to align edges. The dust protectors do not require lining.

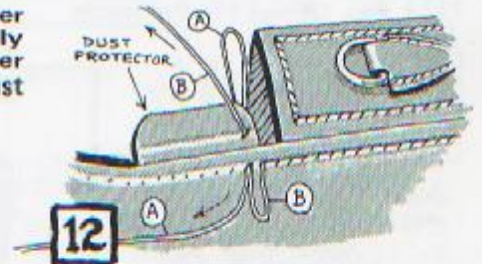


Trim off any excess lining. Hand sew across the tops of the front and the side pieces. Sew only to the side channels.

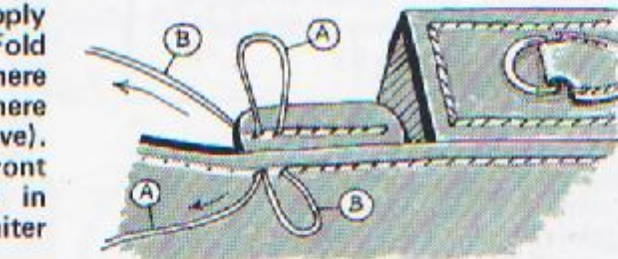


Moisten the folds of the case, inside and out. Tap folds with hammer to make sharp folds. Apply cement to all beveled edges. Fold case around form and adhere edges of sides to the case. Adhere dust protectors in place (above). Begin sewing in corner of front panel, stitches coming out in side channels. This is a miter joint (see HS, page 22).

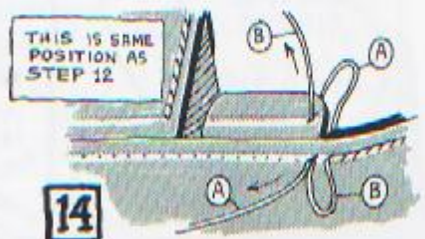
Sew down front, across bottom, and up back, to point shown above. Bring thread (A) to outside, through miter joint. Stab awl in same hole, only come out inside case. Run thread (B) to inside of case. Pull stitch tight.



Sew to edge of dust protector. Stab next hole angling up in channel of dust protector. Also stab through same hole to inside of case. Bring thread (A) to outside. Thread (B) comes out in dust protector. Pull stitch tight.



Sew dust protector. Do not sew over ends. Thread (A) comes to outside. Stab in same hole, to bring thread (B) to inside of case. Pull tight.

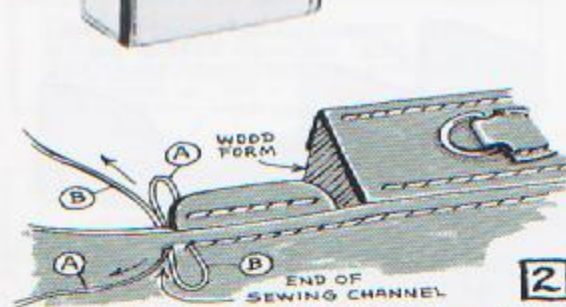


Continue sewing, to next dust protector. Repeat previous instructions, to sew dust protector. Complete sewing case. Burnish miter joints. Close flap, locate and install snap. Remove wood form. Case is complete.

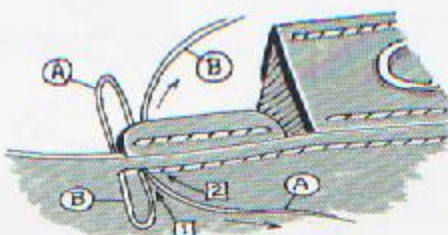
## FILM (110) & FLIP-FLASH CASE

This case is identical in construction to the camera case on page 60, except it is not lined. This will eliminate the stitching at the top of the front, the top of the ends, and around the flap. . . which was sewn to secure the lining. This case is made to carry an extra roll of film and two flip-flash units. These were assembled as shown at right, to determine the size of the wood form. The broken lines indicate total dimensions of Height-Width-Thickness.

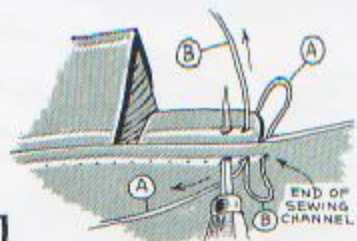
Make the wood form as previously described. A plug is used, under the film, so the case will not have to be offset (see below). Make the case as described on pages 60 and 61, steps 1 through 7. Do not gouge sewing channel around flap, or on top of front and top of side pieces. Omit steps 8 and 9, page 61. Sew around the case, following steps 10 through 13, page 61. Continue with step 1 below.



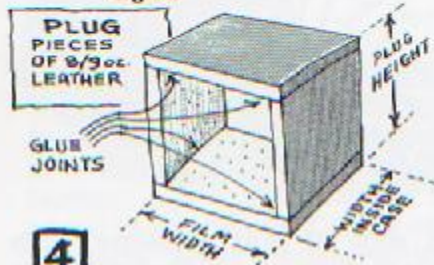
**1** Take one more stitch (beyond step 13, page 61). Pull stitch tight.



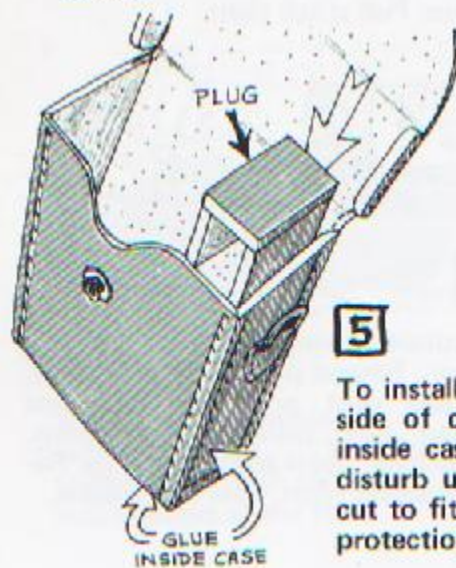
**2** Back-stitch two holes. Stab holes to come out inside case, under the dust protector. Cut off the threads.



**3** Begin sewing at opposite dust protector as shown. Continue sewing, as previously described, to complete the case.



**4** To raise film to top of case, make a plug of leather, as above.



**5** To install the film plug, apply cement to bottom and side of case (inside) with a brush. Push plug down inside case, tightly against bottom and side. Do not disturb until glue has dried. A leather divider can be cut to fit between flip-flash units, giving them added protection.

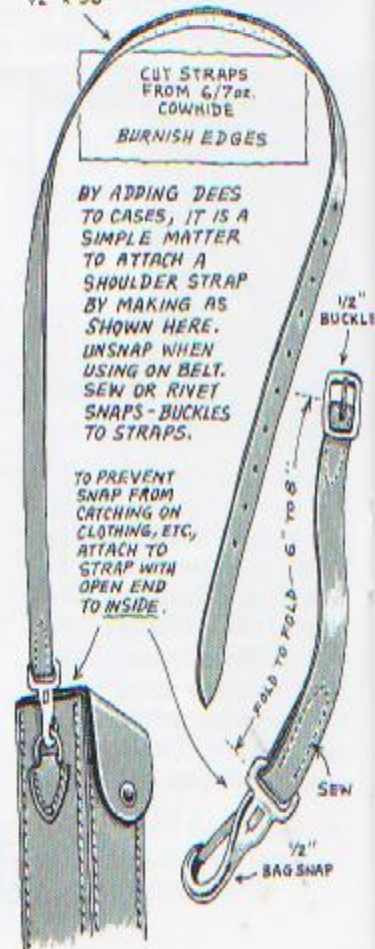
### SPECIAL NOTE:



Photo shows dees also attached to back sides of cases, at bottoms. These aid in tying to saddle, with saddle strings, to keep from flopping. They should be installed at step 7 on page 61.

### SHOULDER STRAP FOR CASES

1/2" x 38"

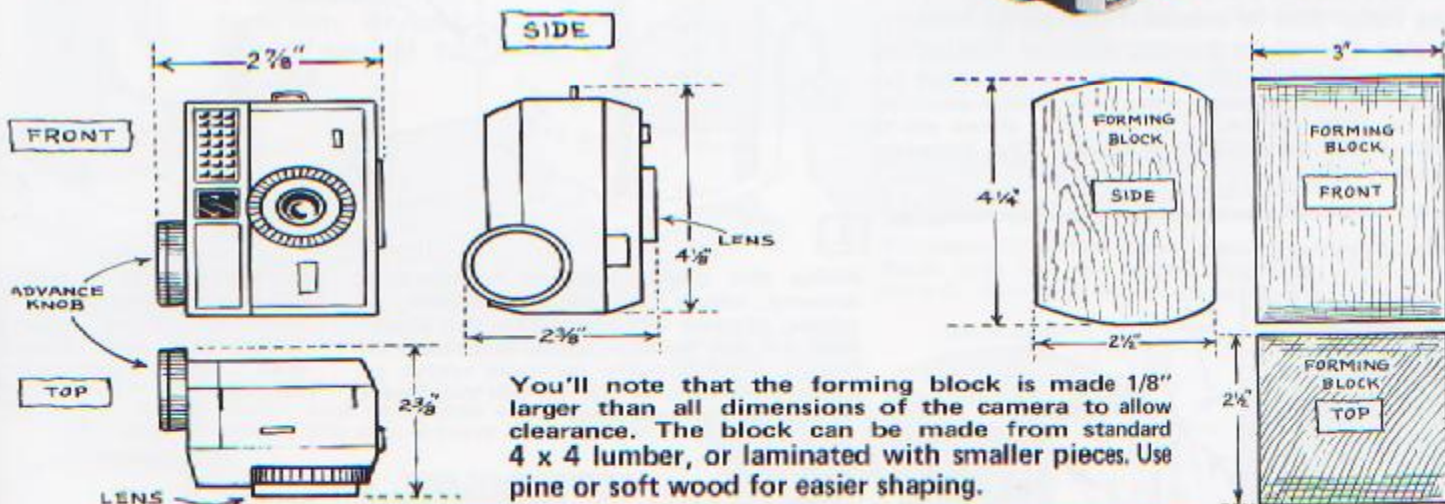




## CAMERA CASE - Instamatic 404

As with most camera cases, we prefer to make them over a wooden form. This camera would not fit well in a square case as it has a rounded top and bottom profile, as well as the protrusion of the automatic film advance knob at the side. Therefore, careful consideration must be given to the construction of the case, and the shaping of the forming block. Follow the instructions, beginning below, to understand how we arrived at the shape and dimensions of the forming block.

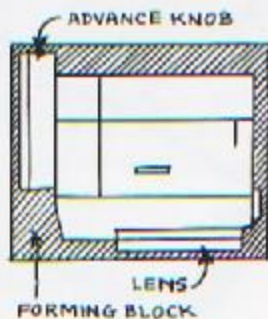
This case was made of 7-8 oz. cowhide and lined with 1½-2 oz. leather. The dust protectors (at sides of top) were cut from 8-9 oz. cowhide, and installed the same as the case on page 60.



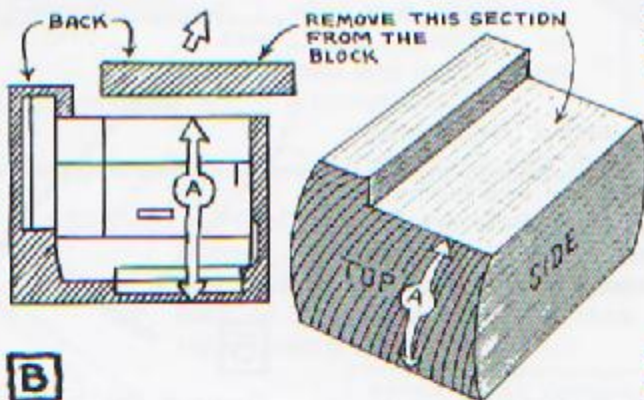
You'll note that the forming block is made 1/8" larger than all dimensions of the camera to allow clearance. The block can be made from standard 4 x 4 lumber, or laminated with smaller pieces. Use pine or soft wood for easier shaping.

TOP VIEW OF CAMERA AND FORMING BLOCK

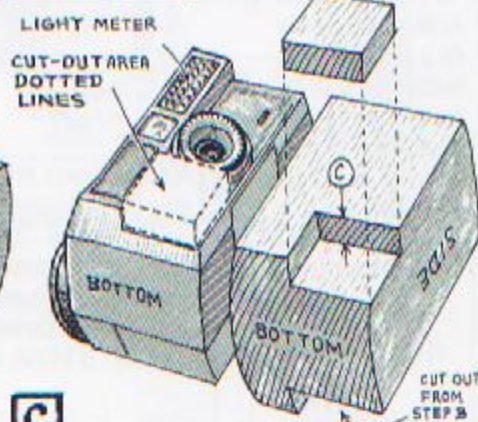
### ADDITIONAL SHAPING OF THE FORMING BLOCK



**A** Here we see the camera superimposed on the forming block (diagonal lines). You'll note the advance knob and lens extend beyond the body of the camera. We wish to give them additional protection, within the case.



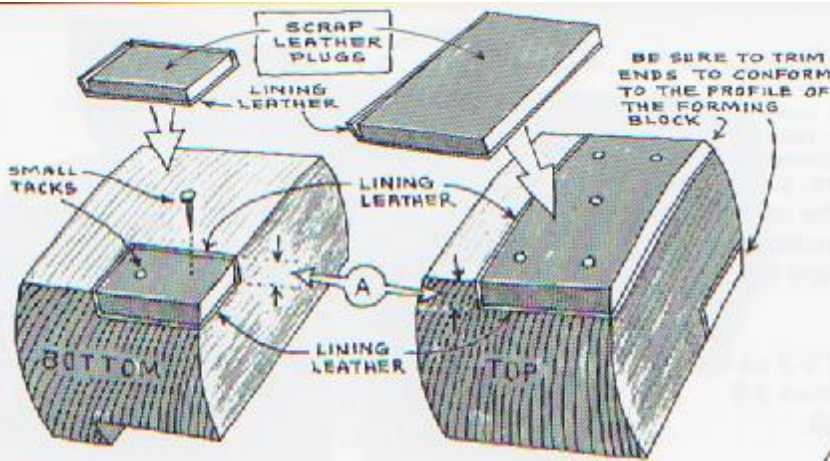
**B** Still looking at the top, remove the section of the back as indicated. This will be for the protection of the advance knob. Arrows (A) indicate equal dimensions shown in top view and those on the altered block. Three dimensional view shows how the block should look. This area will be replaced with leather, later in the instructions.



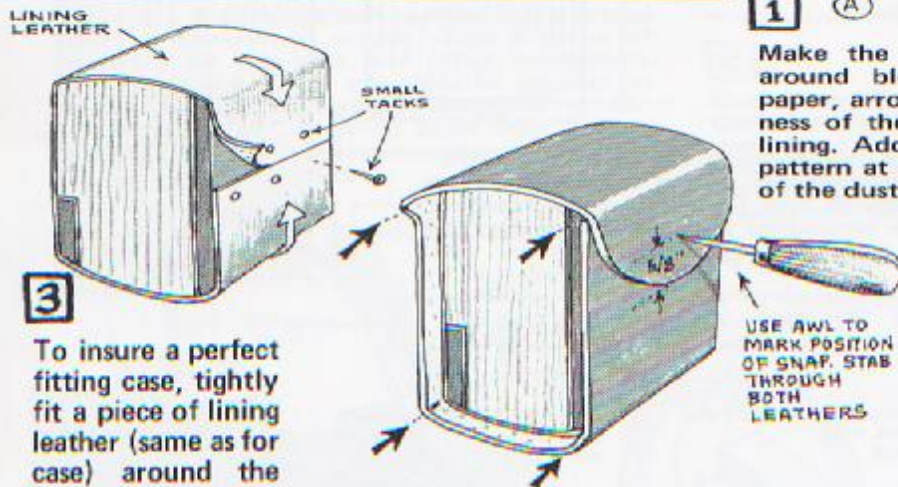
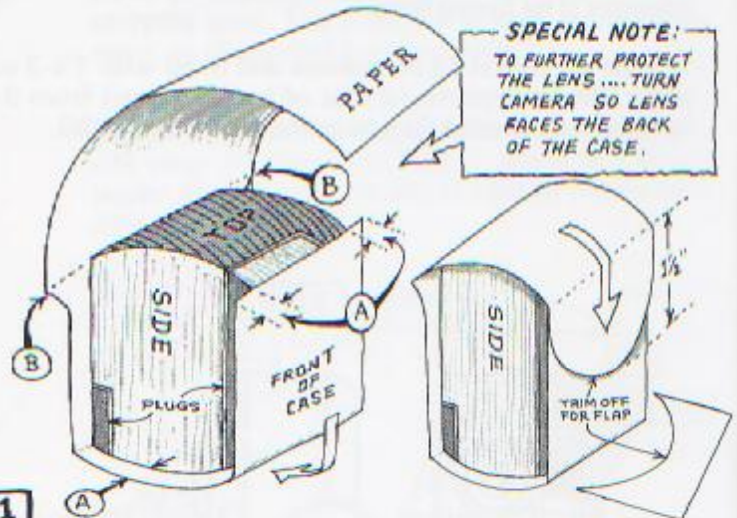
**C** This bottom view shows area to be cut out of block, to give the lens protection. Since the light meter is a raised section, the cut-out cannot go all the way across the block. Depth of cut (C) should be about 1/16" deeper than lens height. Use wood chisels to cut out the area. (continued on next page)

MAKING THE PATTERN

Since this forming block is slightly rounded at top and bottom, we will make the pattern altering the procedure as previously presented. Follow instructions, beginning below. This same technique can be applied to patterns for other cases.

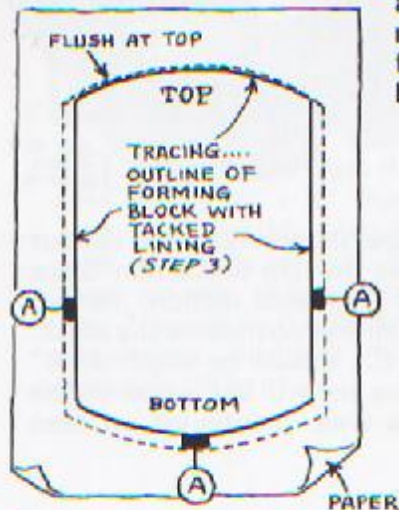


**D** Now, the areas cut out of the forming block must be filled with leather plugs, to their original thickness. Since this case is to be lined, the thickness of the lining leather must be included. From scrap leather, cut plugs to equal the thickness required (including lining). . . see arrows (A). Also, note, lining must be included on the plug edges where they make contact with the wood (see sketch). Do not glue these parts together! Tack them in place as shown. The forming block is complete.



**3** To insure a perfect fitting case, tightly fit a piece of lining leather (same as for case) around the block and tack in place. Trim sides flush with block.

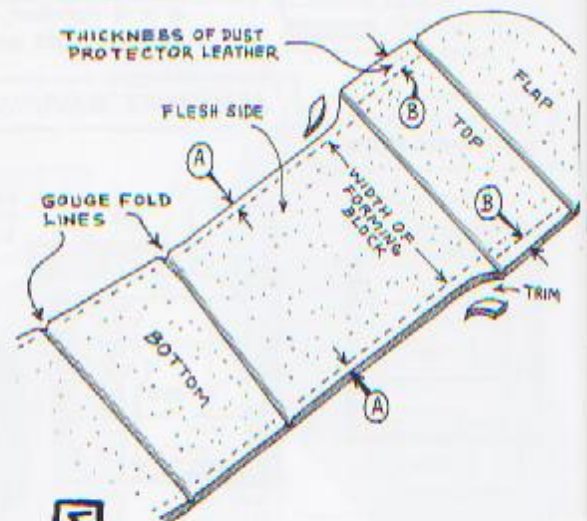
**4** Next, cut out the leather (from pattern, step 2). Moisten flesh side, fold tightly around block. Stab awl into leathers to mark snap positions. Mark points of folds (arrows) at top and bottom and both sides. Mark on the flesh side.



**6** To make the side pieces, trace around the forming block, to paper. Draw a line (A) at sides and bottom. The distance from form will be thickness of case leather only, as the form has the lining thickness on it. Top will be flush. If block is uneven, make a LEFT and RIGHT; mark them accordingly. Cut out two side pieces from 7-8 oz. cowhide.

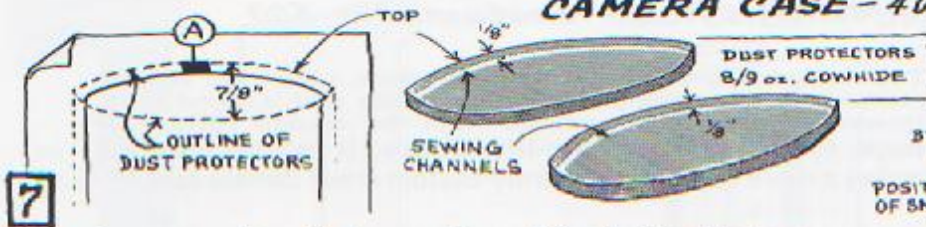
**1** Make the paper pattern by folding around block, as shown. Width of paper, arrows (A) should be the thickness of the leather, plus thickness of lining. Additionally increase width of pattern at arrows (B) to the thickness of the dust protectors.

**2** Continue this width (arrows B) to flap. Fold over block and trim flap end as suggested above.

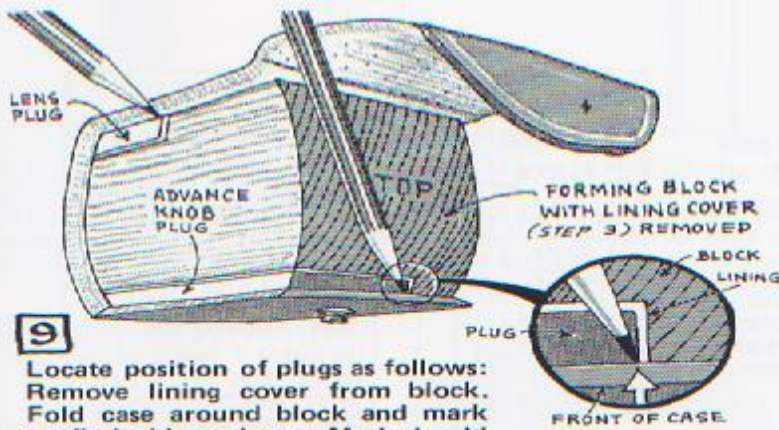


**5** Remove the leather, turn flesh side up and draw fold lines across leather. Be sure they are parallel and at right angles to the sides. Gouge the fold lines. Check the sides to see if they are even. Arrows (A) should be distance measured in step 1. Arrows (B) should be thickness of dust protectors. Trim sides to widen at first fold of the top (see sketch above).

## CAMERA CASE - 404 - Continued

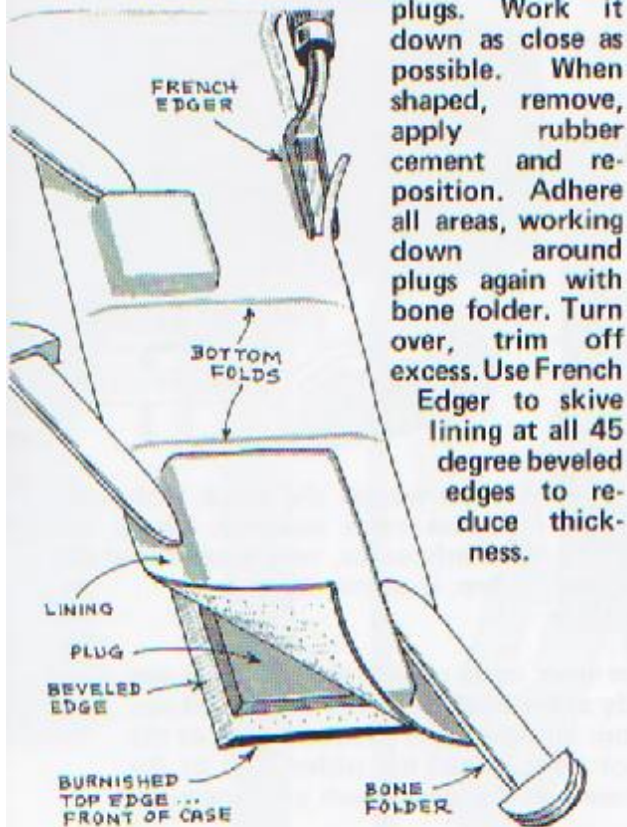


**7** From the pattern (step 6) draw outlines of the dust protectors. Arrows (A) indicate the thickness of the case leather only, as the form has the lining thickness on it. To lessen confusion as to which is the top, gouge sewing channels at top right away.

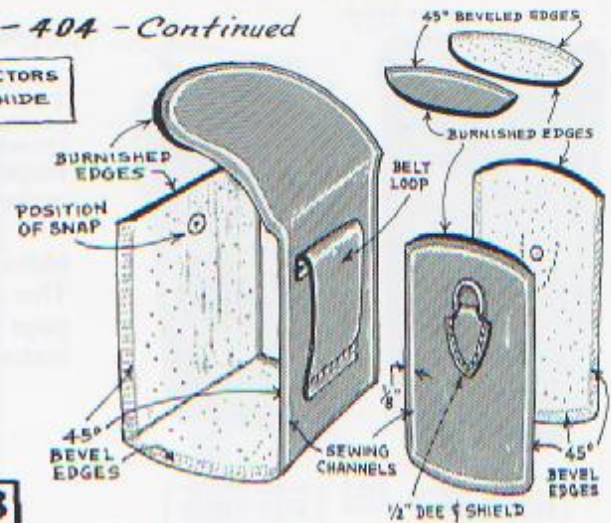


**9** Locate position of plugs as follows: Remove lining cover from block. Fold case around block and mark on flesh side as shown. Mark should be between plug leather and lining leather (see insert). Remember... lens goes to the back of the case.

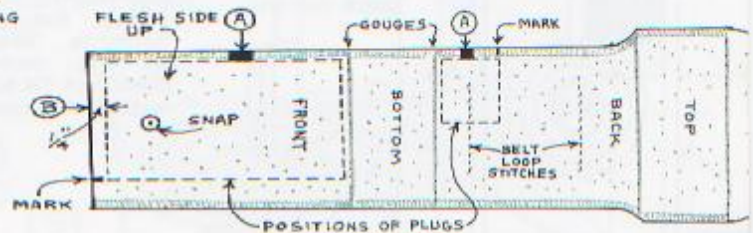
**11** Now, cement the plugs in place. Cut lining leather oversize, and moisten. Place over case and begin by creasing bottom folds. Then form leather over plugs. Work it down as close as possible. When shaped, remove, apply rubber cement and reposition. Adhere all areas, working down around plugs again with bone folder. Turn over, trim off excess. Use French



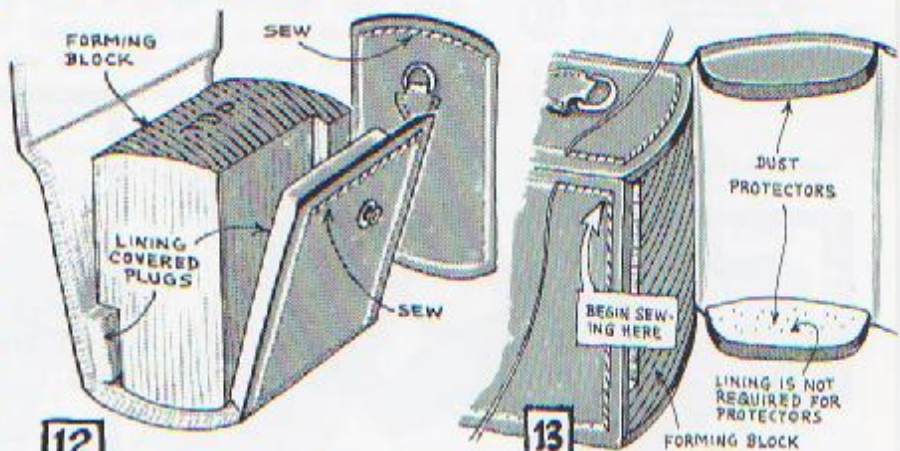
Edger to skive lining at all 45 degree beveled edges to reduce thickness.



**8** With all of the parts cut, follow steps 5 through 7, pages 60-61. Gouge sewing channels about 1/8" from edges. 45 degree bevel edges. Install belt loop, snap, 1/2" dees for shoulder strap. Burnish all edges indicated.



**10** Remove plugs from forming block. Turn leather flesh side up; observe marks from step 9. Arrows (A) show plug should be set in, from beveled edge, the combined thicknesses of case and lining leathers. Arrow (B) indicates top of front plug should be cut off 1/4". The reason: So stitching at the top of the front panel will not have to be sewn through the plug.



**12** Cement lining to side pieces. Sew top of side pieces and top of front (see step 9, page 61). Fold case around block and cement the side pieces in place. Fold flap down and cement dust protectors to the top, between folds, outside of the sides. You are ready to sew.

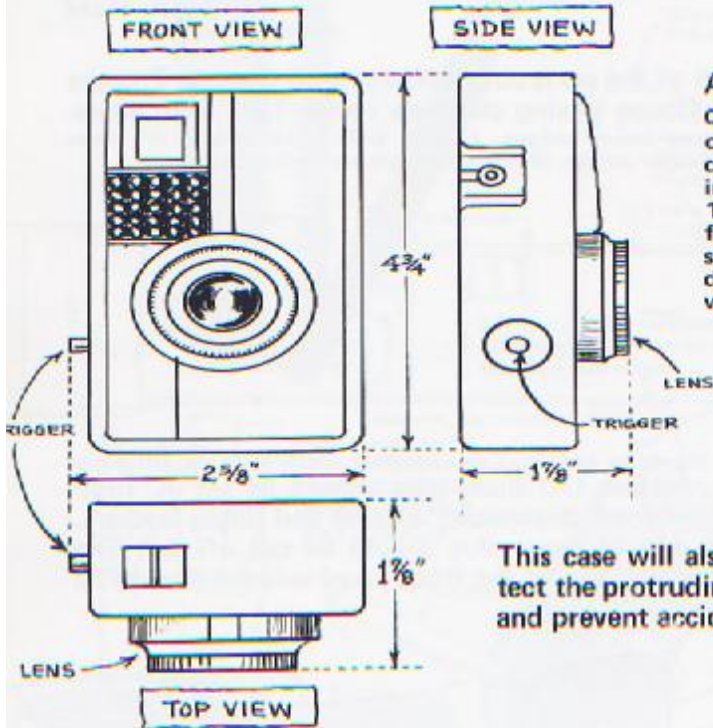
**13** Begin sewing at the corner, as indicated above. Complete the case exactly as instructed on page 61, steps 10 through 14. Remove the block. As you look inside the case, you should have a satisfying feeling of accomplishment.

## CAMERA CASE - Instamatic 500

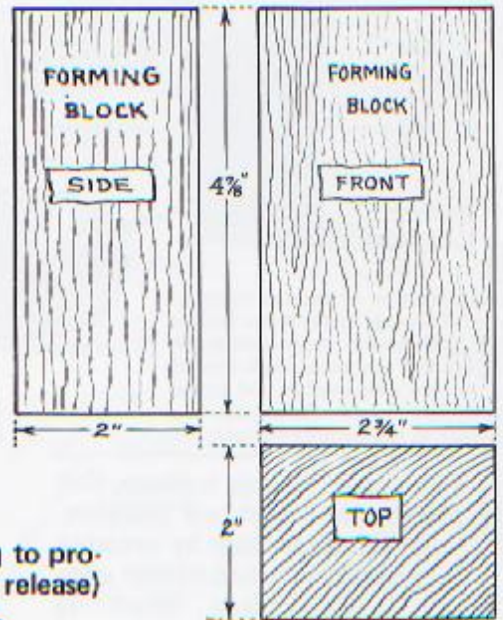


This case, being constructed of one piece, offers yet another method of case-making. Again, it is made over a wood form. However, this form is reduced from the original rectangular shape to offer a more form-fitting style. It reduces bulk and makes a more attractive and truly custom-made camera case.

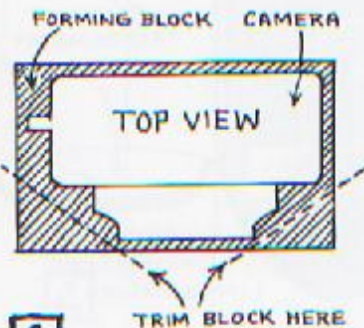
Make the forming block out of soft wood, for easier shaping. This case was made of 7-8 oz. cowhide. And, as with the case on page 63, it was lined with 1½-2 oz. leather. Carefully follow the instructions to firmly establish the procedures in your mind.



As with the case on page 63, all of the camera dimensions are increased by 1/8", for the forming block, so the camera does not fit tight within the case.

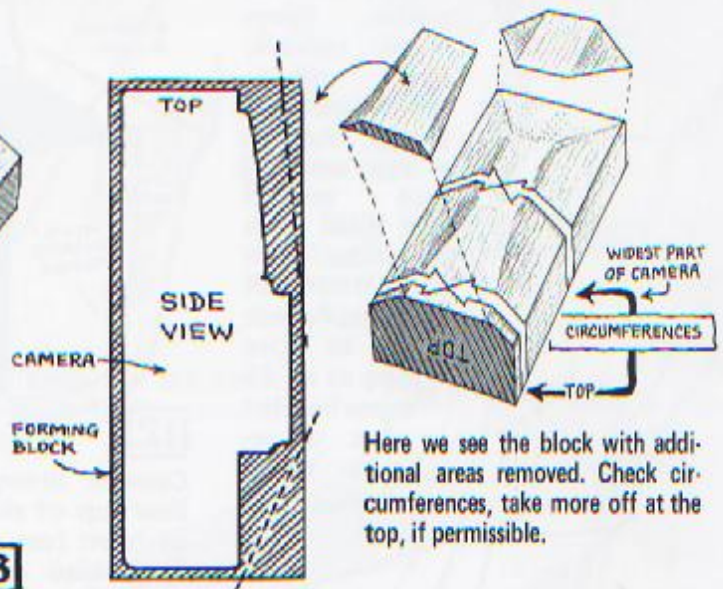
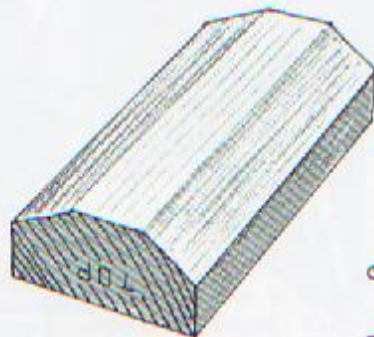


This case will also use a leather plug to protect the protruding "trigger" (shutter release) and prevent accidental film exposure.



**A**

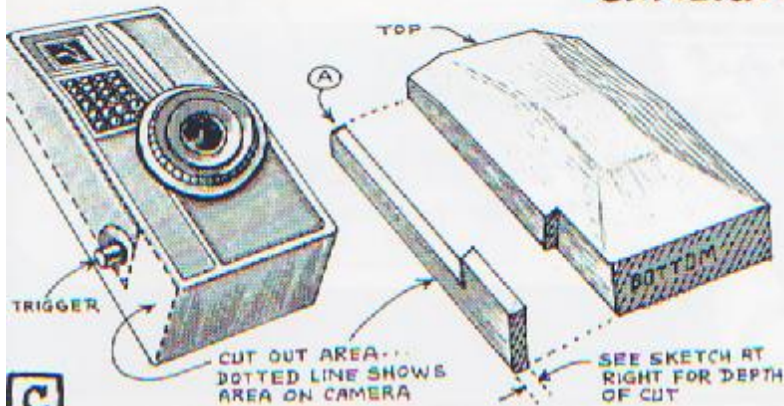
In looking at the top view, we see much of the forming block that can be removed at the front corners (broken lines). Draw these marks on the block and cut off, as shown in the three dimensional sketch.



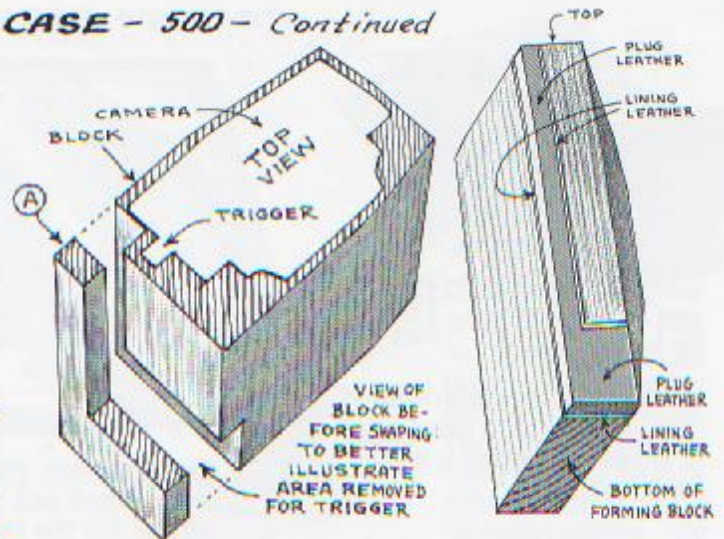
**B**

In looking at the side view, more of the forming block can be removed, especially at the bottom. CAUTION: A bit can be removed at the top. However, the circumference of the block (at top) cannot be less than the widest part of the block, which in this case is at the lens. Check your measurements.

## CAMERA CASE - 500 - Continued



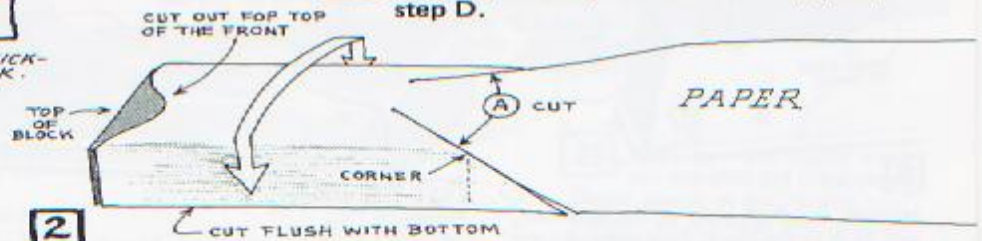
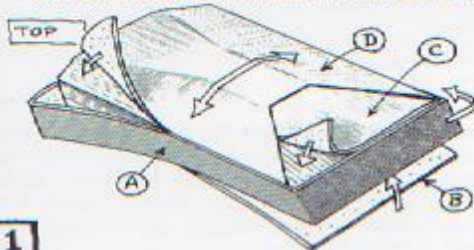
**C** This view shows area to cut out to protect the trigger. Arrows (A) illustrate how much to take out. From camera, to outside of block, is about 1/16" beyond end of trigger . . . study top view of sketch. Cut out with wood chisels.



**D** Now, fill the cut-out with plug and lining leather, exactly as described on page 64, step D.

### MAKING THE PATTERN

LINING LEATHER, OR MATERIAL OF EQUAL THICKNESS SHOULD COMPLETELY COVER THE BLOCK.

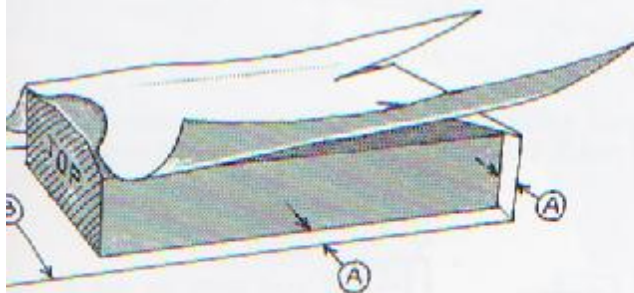


**2**

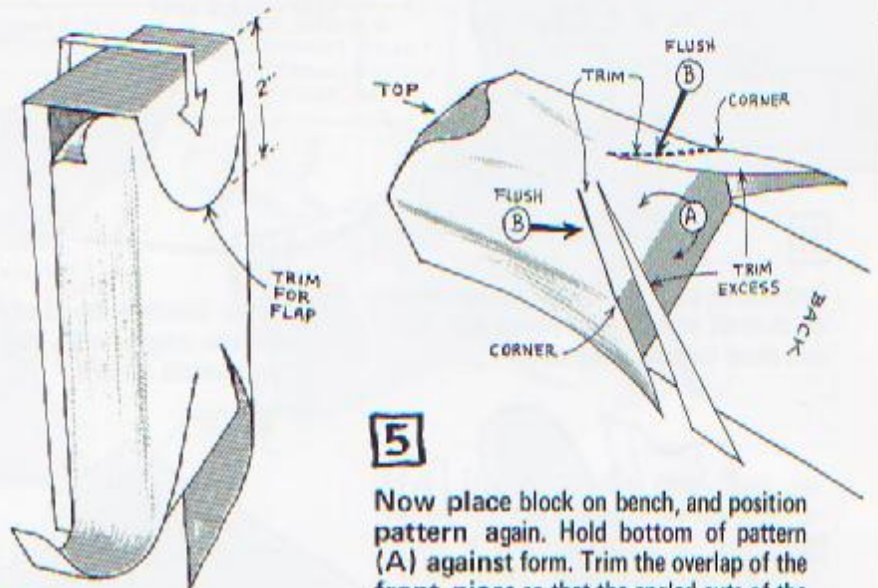
Take a long piece of paper, wide enough to cover front and sides, and long enough to cover front, bottom, back, top, and flap. Cut a dip at the top and lay paper on block as shown. Fold over sides and trim paper flush with bottom edge. Next, make the angled cuts (A) to edge of paper. These cuts are on the high-point ridges of the block, from corners toward center. Edges of part (C) in step 1 should be on these ridges. Cuts should come out right at the corners of the forming block.

**1**

To make a perfect fitting case, cover the forming block with lining leather (because this case will be lined). Cut the parts and cover as follows: (A) strip around sides, bottom, and top. (B) cover the back. (C) cover bottom-front section. (D) cover upper front. Tack in place. Leathers can be rubber cemented to block, if desired.



**3** Now, holding top of paper in position on block, fold paper around bottom and under back as shown. Arrows (A) indicate cut of pattern. . . distance being thickness of cover leather (lining thickness is not included; it is on the form). Cut both sides the same. Arrows (B) indicate total width of back and bottom, and out to end of flap.



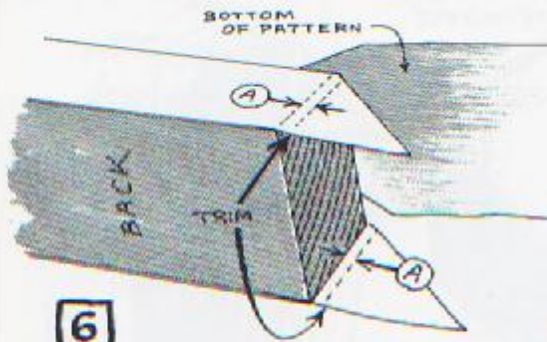
**4** Trim pattern to width in step 3. Continue folding around block and trim for the flap. Allow about 2" as indicated.

**5**

Now place block on bench, and position pattern again. Hold bottom of pattern (A) against form. Trim the overlap of the front piece so that the angled cuts of the pattern are flush at arrows (B). They should be flush from beginning of cut to the corner. Trim off this excess. (continued on the next page)

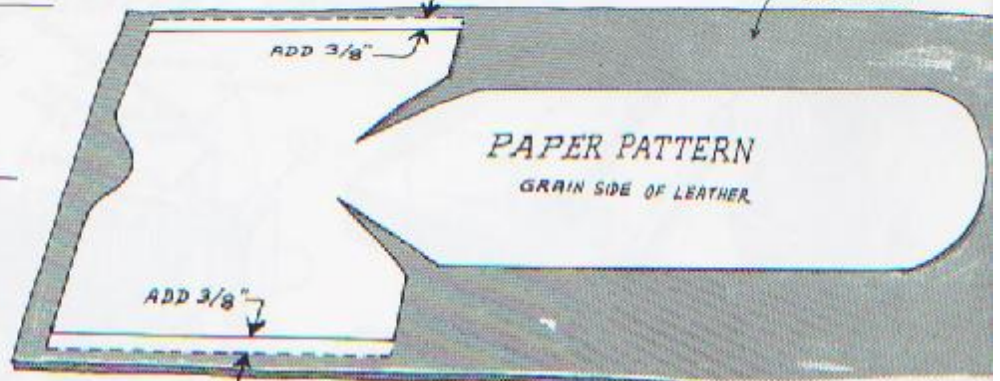
# CAMERA CASE - 500 - Continued

7/8 oz. COWHIDE  
GRAIN SIDE UP



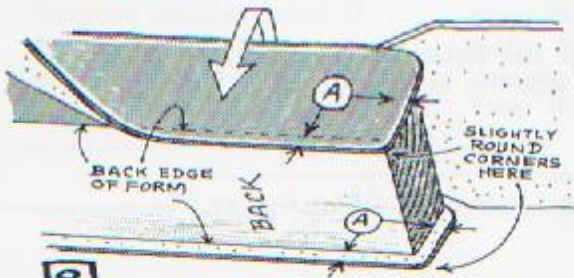
**6**

Carefully hold the pattern to the form, and turn on its side. Trim at arrows (A). Distance is thickness of case leather.



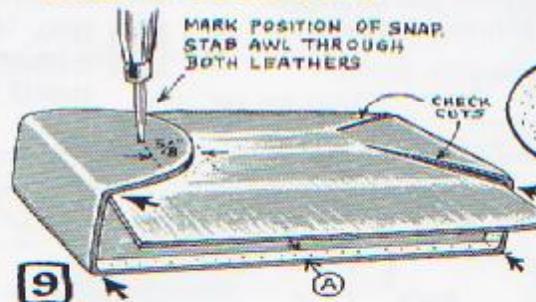
**7**

Your pattern should look as above. Check measurements again, lay on leather and cut out. NOTE: Add 3/8" at each side, as we need enough leather for the side seams.



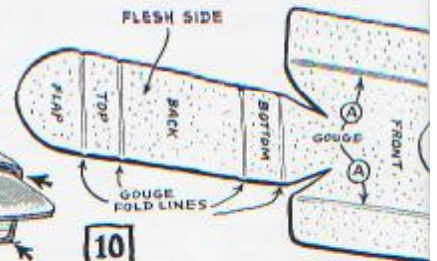
**8**

Moisten the flesh side of the leather, and fit it to the block. Fold sides down and trim at arrows (A). Distance from block is thickness of case leather. Round corners (see above).



**9**

Fold leather around block and mark position of snap. Mark points of folds (arrows) at top and bottom, on flesh side. Mark both sides. Re-check the angled cuts (lower front) they should butt together.



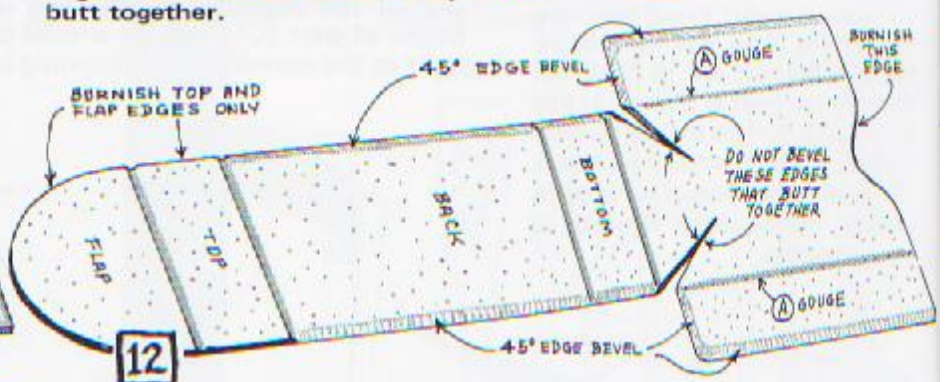
**10**

Place leather flesh side up; draw fold lines, and gouge. Make gouges (A) where leather folds over the edges. Place back on form to locate positions, if necessary.



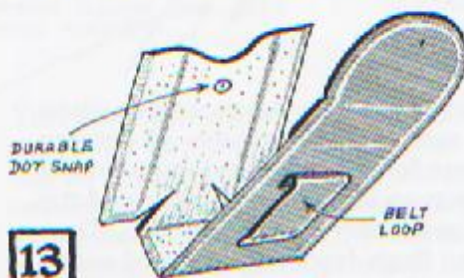
**11**

Turn leather grain side up and gouge sewing channels completely around case. See note above for ending channels.



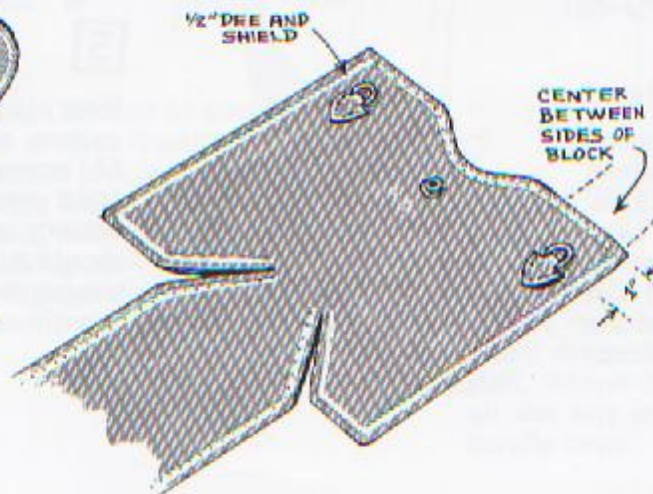
**12**

Turn leather to flesh side again and bevel the edges shown to a 45 degree angle with the French Edge. Burnish only the edges indicated, on sketch above.



**13**

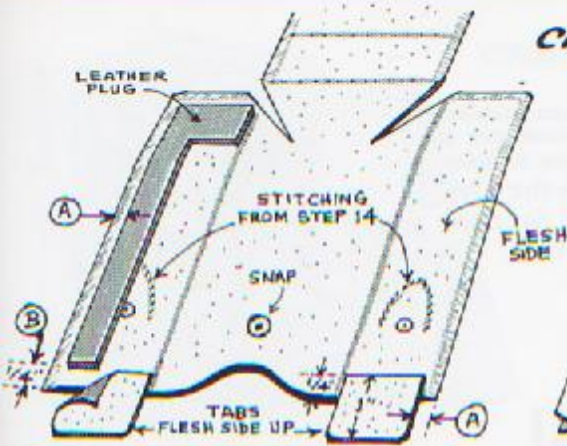
Install snap to the front. Sew a belt loop to back.



**14**

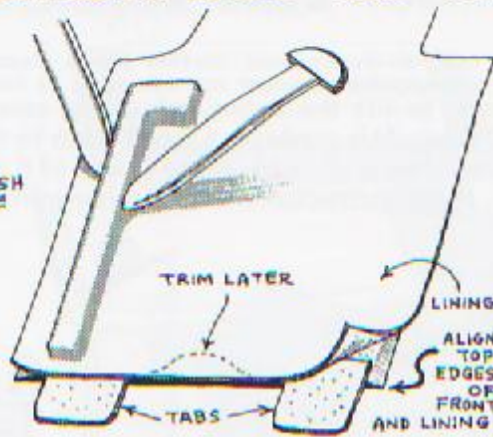
If you wish to use a shoulder strap, sew the dee assemblies to the sides as indicated on the sketch at left. See page 62 for shoulder strap suggestions.

## CAMERA CASE - 500 - Continued



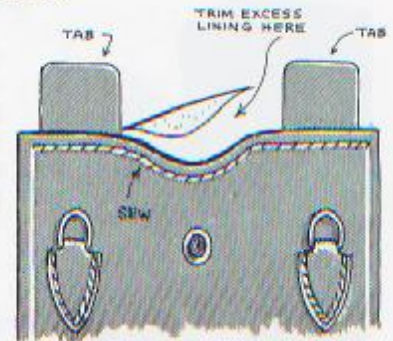
**15**

Now remove leather from the forming block. Remove leather plug and trim  $\frac{1}{4}$ " off the small end. Glue plug in position (above). Set plug at beveled edge (A) distance is thickness of case and lining leather. End should be  $\frac{1}{4}$ " from top arrows (B). Cut two tabs of lining leather 1" long and width of the block sides. Glue  $\frac{1}{4}$ " of the edge to top of front, as shown above.



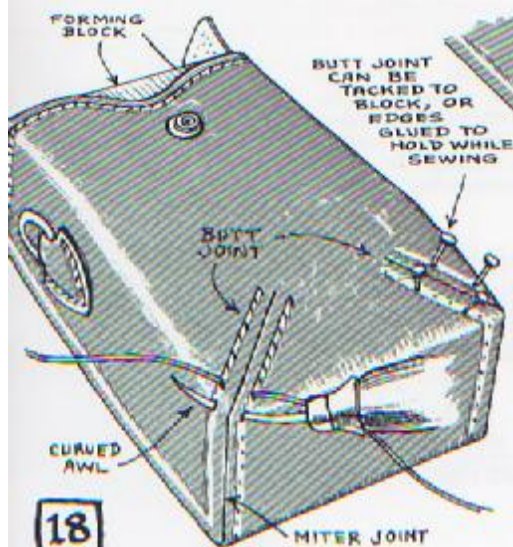
**16**

Cut the lining oversize. Apply rubber cement to flesh sides of case and lining. Align top edges of front, and adhere. Work leather down around plug, and crease sharply in all folds. Trim off excess lining. Use French Edger and skive at all beveled edges. . . same as in step 11 on page 65.



**17**

Sew across the top of the front. . . only to the side channels. The stitching also secures the tabs. Trim off the excess lining, as above.



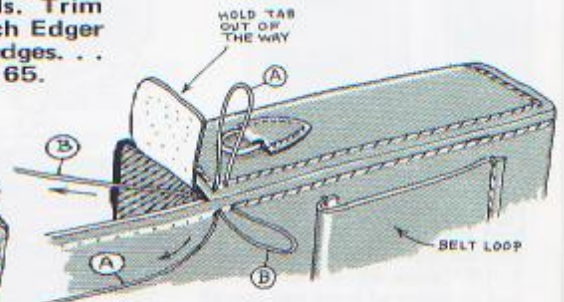
**18**

Moisten inside, and out, at all folds and tap with hammer to make sharp folds. Apply cement to all edges to be joined for sewing. Fold case around block and adhere edges together. Begin sewing, as shown. Use the curved awl and curved needles for sewing the butt joint (see HS, page 31).



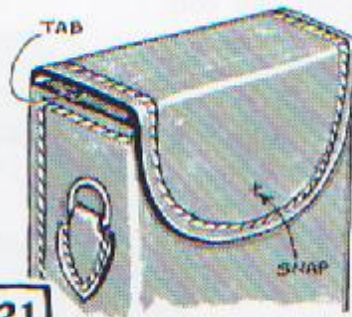
**19**

Sew to the corner, then transfer thread to straight needles. Use the straight awl for sewing the miter joint (see HS, page 23).



**20**

Sew around the case, up the back, to point shown above. Bring thread (A) to outside through miter joint. Stab awl in same hole, only come out inside the case. Run thread (B) to inside of case. Continue sewing around the case to position shown in step 18 (only on opposite side). Transfer back to the curved needles and curved awl to complete sewing the butt joint.



**21**

After sewing, burnish all mitered edges. Fold tabs in, fold top down. Check position of snap; install. Case is complete. Remove the forming block.

**22**

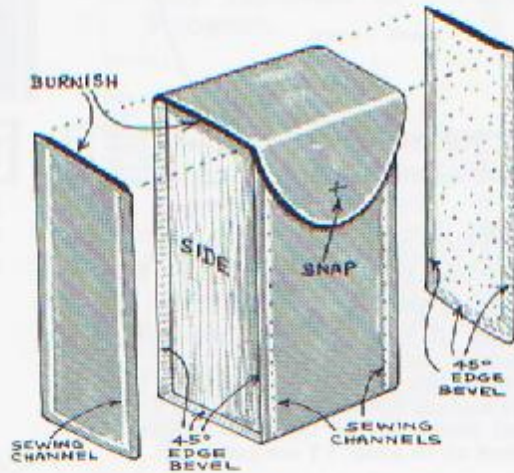
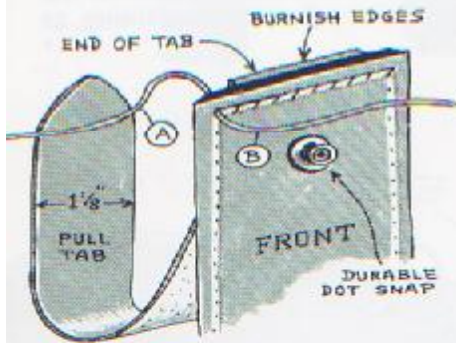
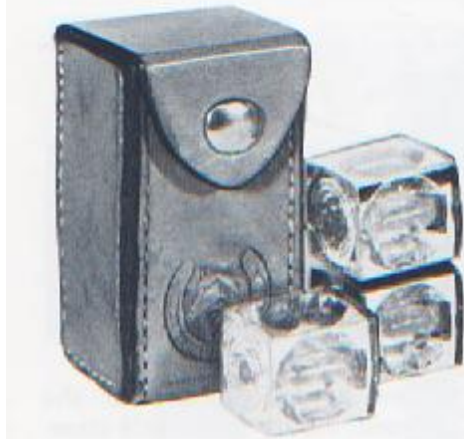
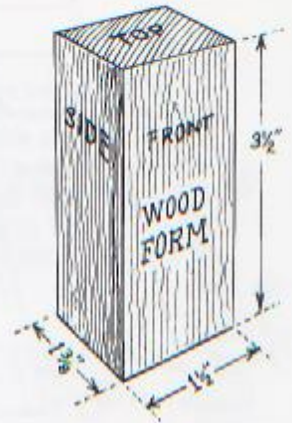
Install camera. Fold tabs in for camera protection. Fold flap and snap. This case is durable, offers excellent camera protection. . . all from one piece of leather.



If difficulty is encountered in removing the forming block, see page 37.

## FLASH CUBE CASE

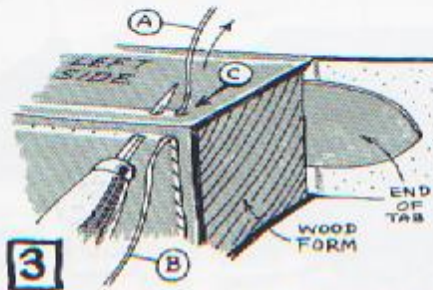
This easy-to-make case carries three flash cubes, and is designed to wear on the belt. It features a pull-tab to lift the cubes out of the case as you need them. It is made on a wood form to the dimensions shown at right. Make it out of 6 oz. cowhide. It is constructed with the miter joint.



**1**

Fit the leather to the wood form as previously described. For the miter joint, leather should extend (by its thickness) beyond the sides of the wood form. Top edges should be flush with top of form. Gouge all folds. Gouge sewing channels, "wheel" only the front, bottom, and back. Bevel all edges (to be sewn) at 45 degree angle with French Edge Beveler. Mark positions of snaps. Sew belt loop to back. Study the sketch, at left.

**2** Install snap to front. Gouge sewing channel at top. Cut a pull-tab from 1 1/2 oz. leather. . . 1 1/8" wide by 9" long. Glue end in center of front and sew all the way across the front, between the side channels. DO NOT cut off the threads! Note the letters (A) and (B) on the threads, in sketch above. This is to aid you in getting the threads in proper position for sewing. . . in step 3.

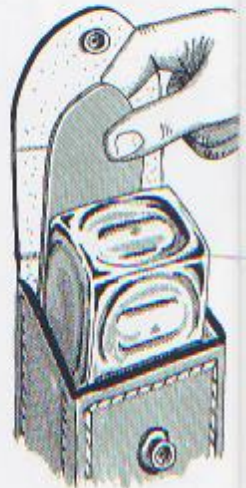


**3**

Cement the beveled edges of the left side to the case. Stab a hole, at top of sewing channel (C) to inside of case. Bring thread (A) out hole (C) to outside of case. Lay tab down in bottom and place wood form in case; tab folds around form, coming up the back side (see above). Glue opposite side to case. Stab next hole in miter joint and continue sewing.

**4**

Finish sewing the case. Burnish the mitered edges. Install the flap snap. Case is complete. Remove wood form.



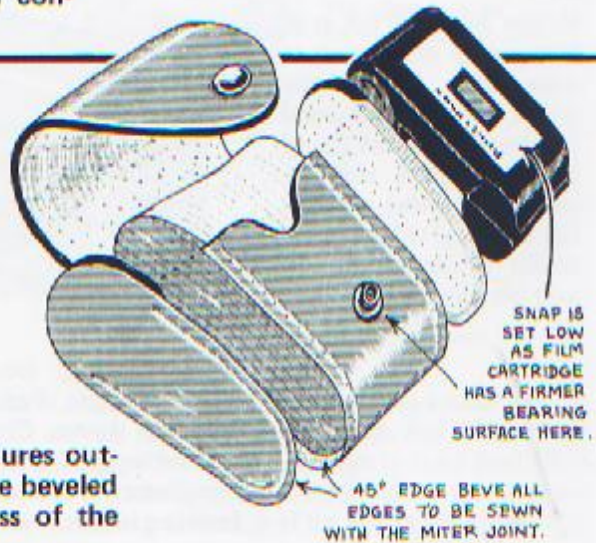
To load flash cubes, push them down on tab, forcing the tab to the bottom. To remove flash cubes, simply pull on the tab as shown in the sketch at right.

## FILM CARTRIDGE CASE



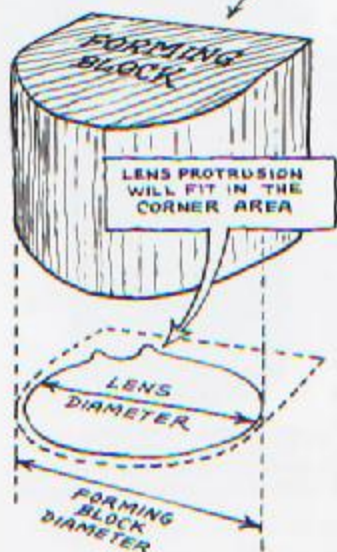
Photo shows completed case, film cartridge, and wood form. Form tapers toward bottom, corresponding to the shape of the film cartridge.

Cut the leather from 6 oz. cowhide. Follow the same procedures outlined above and on previous pages. At miter joints, remember the beveled sewing edge must extend beyond the form, by the thickness of the leather. Sew belt loop to back before assembly.





BACK OF FORM IS FLAT, TO ACCOMMODATE A BELT LOOP



## LENS CASE - 35mm

This case is made from 6-7 oz. leather and is lined with 1½-2 oz. leather for added lens protection. The case is sewn with miter joints. The top has a protective rim that extends in front to accommodate the snap.

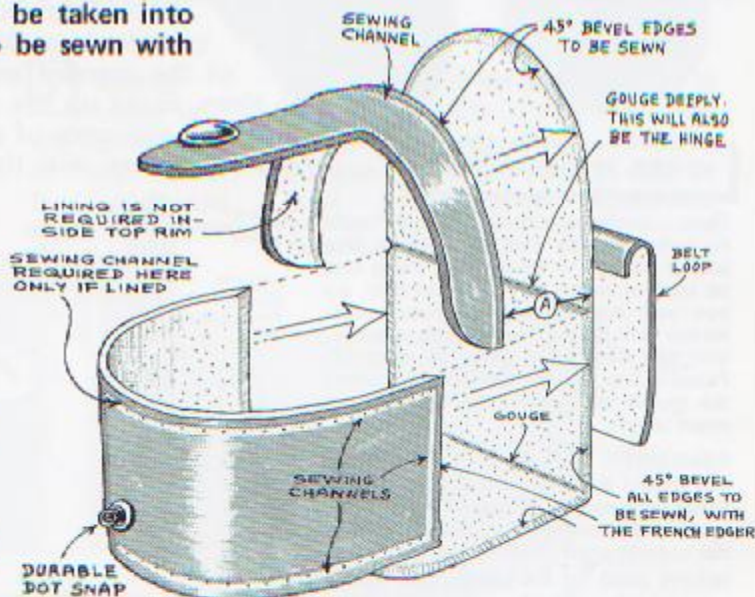
By now, you should be familiar with our procedures for making cases. Again, we use the wood form which is made oversize. When lining a case, always remember the thickness of the covering leather. . . plus the lining thickness must be taken into account for the seams to be sewn with the miter joint.



### ASSEMBLY PROCEDURE

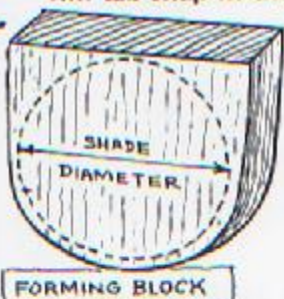
The exploded view, at right, illustrates all of the parts required. Carefully fit around the forming block. Make allowances for the thickness of the lining leather, if used.

- 1 Gouge all folds. Gouge sewing channels where stitching is required. 45 degree bevel all sewing edges for the miter joint.
- 2 Install snap in front. Sew a belt loop to the back.
- 3 Cement lining leather in place. Trim any excess and skive edges, at miter joints, with French Edger (see page 65, step 11).
- 4 Sew top of front piece between side channels. Cement case together with forming block inside. Begin sewing at the back, midway between folds. NOTE: When sewing the top rim, at ends, refer to page 61, steps 11 through 14. . . sewing is the same.
- 5 After sewing, burnish miter joints. Close the top and install rim tab snap in the proper location.



## LENS SHADE CASE

35 mm WIDE ANGLE LENS

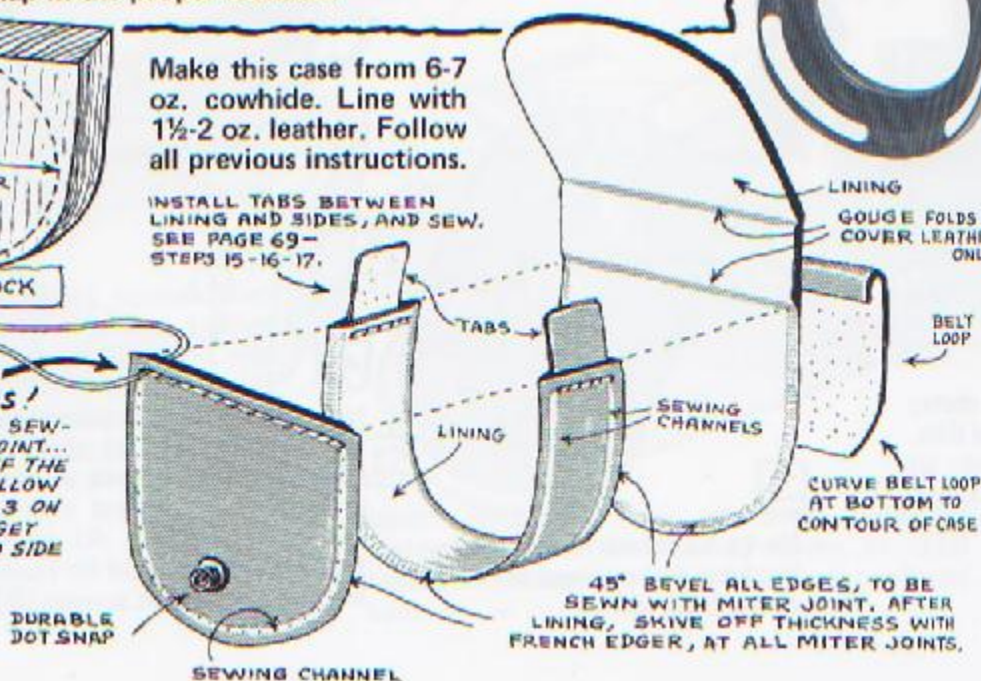


Make this case from 6-7 oz. cowhide. Line with 1½-2 oz. leather. Follow all previous instructions.

INSTALL TABS BETWEEN LINING AND SIDES, AND SEW. SEE PAGE 69—STEPS 15-16-17.

**DO NOT CUT OFF THREADS!**

NOTE: AFTER SEWING TO THIS POINT... DO NOT CUT OFF THE THREADS. FOLLOW STEPS 2 AND 3 ON PAGE 70, TO GET THREADS INTO SIDE CHANNELS.



### ASSEMBLY PROCEDURE

The assembly of this case is identical to the one shown above. Here, we have used the tuck-catch in place of the snap. Study all of the notations on the sketch at left.

**CAMERA CASE - M-5 Leica**  
WITH 135 mm TELEPHOTO LENS



This case clearly illustrates the unlimited possibilities of case-making. Careful measurements must be made of all areas to include all protrusions and odd shapes. Bear in mind, the mandril, and the additions to it, must be slightly oversize to insure room for the camera within the case.



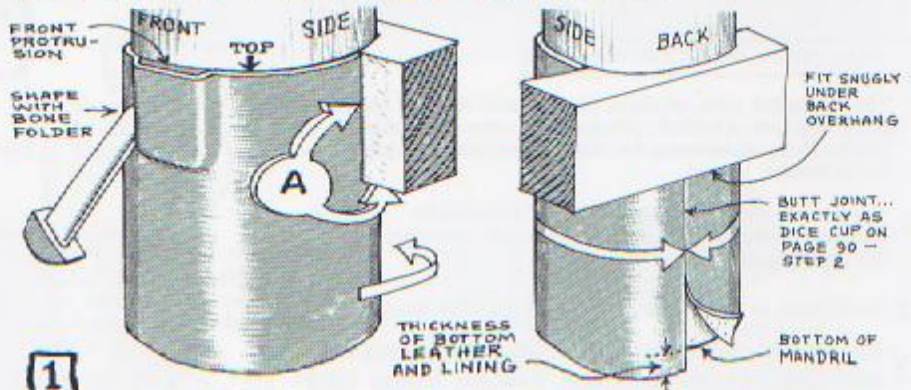
WOODEN MANDRIL SHOWING ADDITIONS CORRESPONDING TO THE CAMERA MEASUREMENTS

Carefully make drawings of top, front, back, and sides, to actual size. Then draw outside these dimensions to determine the size of the mandril and the application of the additions. Build up the mandril (shown at right) to insure the clearance of all parts. This case was made of 8-9 oz. leather, with light lining for added protection.

**WHERE TO BEGIN ?**

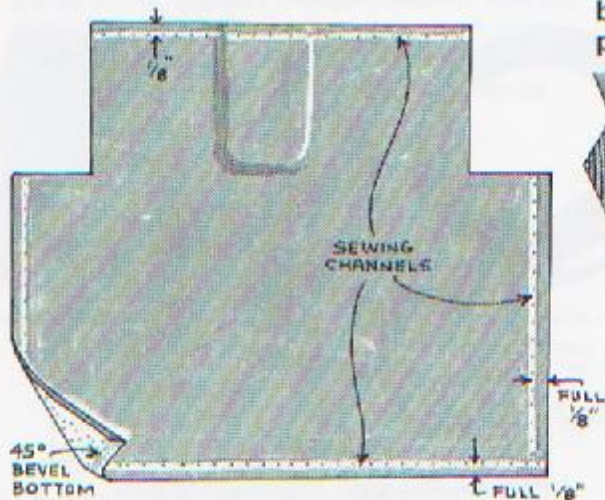
Since a paper pattern would be difficult to make for this case, we will fit the leather directly to the mandril. Paper can be used to make a "rough" pattern, so you will have some idea how much leather will be required. In this manner, you will have little waste of material. Pencil a line, on the mandril, indicating the top of the case. . . unless it is cut to exact length.

REMEMBER. . . if the case is to be lined, you should cover the mandril (and additions) with same thickness of material to compensate for the lining. . . while fitting the outside cover. Follow the same procedures given for the camera case forms on pages 63 and 66. To begin our instructions, we will assume you have covered the mandril, as afore mentioned.

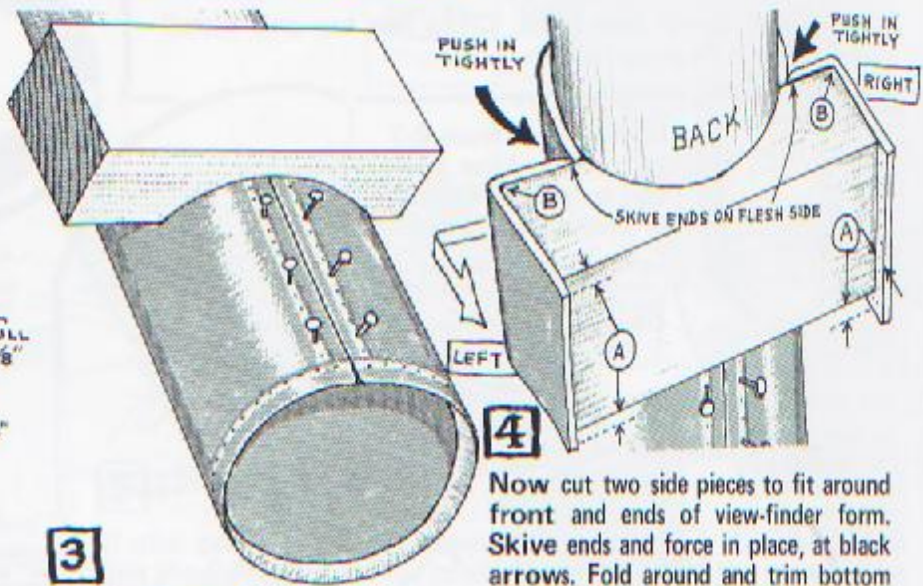


**1**

Cut the case leather. Moisten both sides at the top of the front. Place at "top" line and shape over the protrusion, as shown. Fold leather around mandril and trim to fit flush at arrows (A). Re-fitting will be required. When properly fitted, continue around mandril and trim to a butt joint at back. Allow extra length at bottom for thickness of the bottom leather. . . plus lining. Trim to correct length.



**2** Remove leather and gouge sewing channels at top, bottom, and sides. "Wheel" the sides exactly as shown on page 90, step 5. "Wheel" top and bottom. Turn to flesh side and bevel bottom edge for the miter joint.



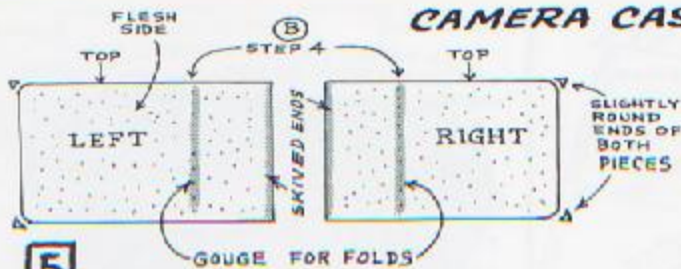
**3**

Re-fit to mandril and tack in place, in sewing channel, at the butt joint.

**4**

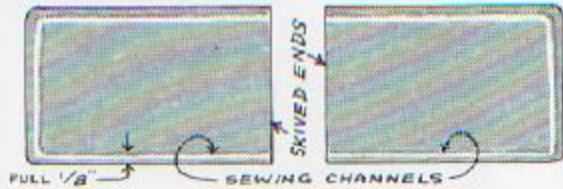
Now cut two side pieces to fit around front and ends of view-finder form. Skive ends and force in place, at black arrows. Fold around and trim bottom and ends (arrows A) to thickness of leather. Top should be flush with form. Mark for folds, at arrows (B).

## CAMERA CASE - M-5 Leica - Continued



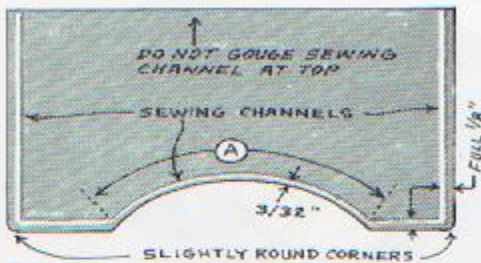
**5**

Remove pieces and gouge fold lines at (B) from step 4. Re-fit to form and trim ends, if necessary. Turn over and gouge sewing channels as shown on sketch below. Mark the pieces for LEFT and RIGHT.



**6**

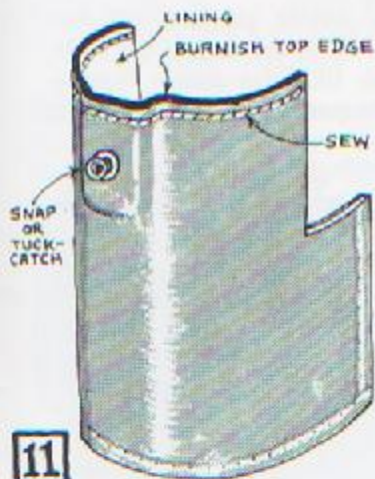
Turn to flesh side and bevel edges, for miter joint, at 45 degree angle, with the French Edger. DO NOT Bevel the top, or the skived ends (from step 4).



**8** Lay leather grain side up and gouge sewing channels, as shown. NOTE: At curve, arrow (A), set channel closer to edge.



**9** Turn leather to flesh side and bevel sewing edges at 45 degree angle for the miter joint. NOTE: Do not bevel in curved area.

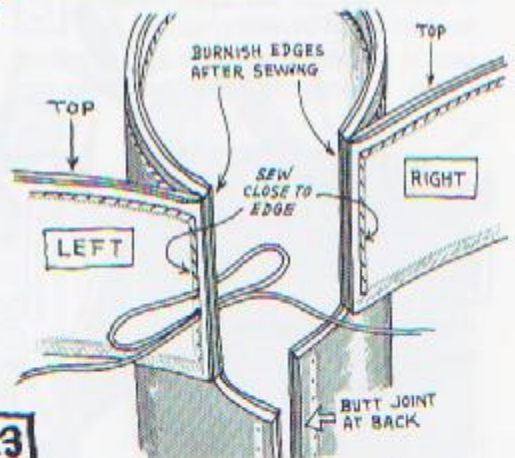
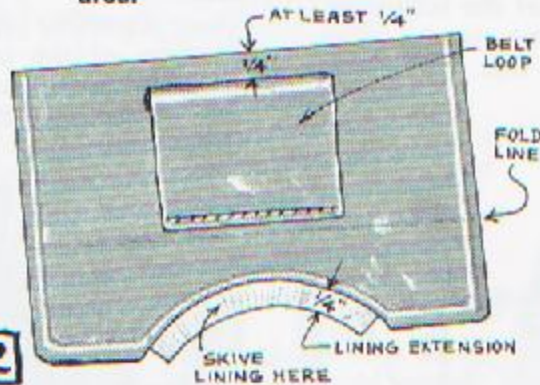


**11**

Remove leather from mandril. Install snap to front. Cement lining leather inside, and sew across the top. Edge and burnish top only. Trim off excess lining, and skive thickness off bottom, at the miter joint edge.

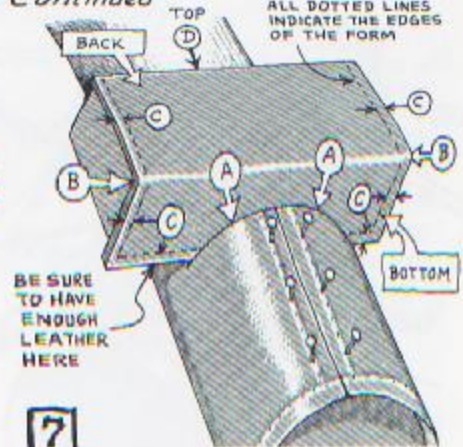
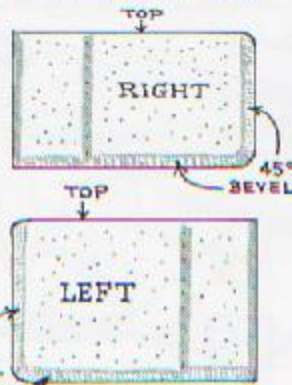
**12**

Sew a belt loop to the back. NOTE: Do not allow closer than  $\frac{1}{4}$ " at top edge. Also, do not allow beyond fold line at bottom. Next, cement lining to flesh side. Extend the lining  $\frac{1}{2}$ " only at the curved area. This edge should be skived before installing. Do not cement area within  $\frac{1}{4}$ " of curve, as lining must fold back (see step 15). Once again, skive lining at the beveled edges of the miter joint.



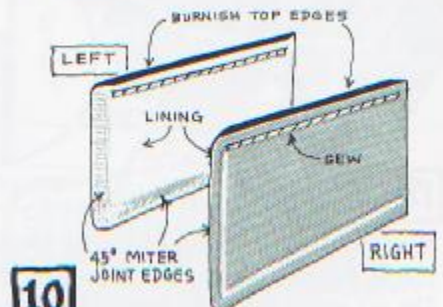
**13**

Now, glue edges of LEFT and RIGHT side pieces to edges of front piece (see step 4 to identify). Sew together, close to the edges. Place in stitching horse to sew. Sketch here is for clarity. (continued)



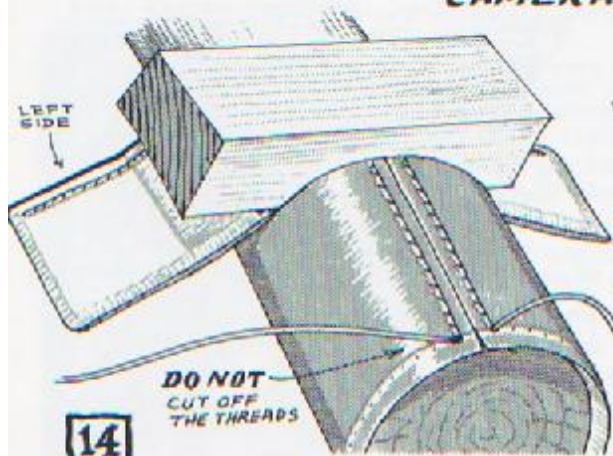
**7**

Next, cut the bottom and back from one piece. Make the cut (A) to fit snug against round of the case. With proper fit, mark fold line (B). Remove leather and gouge fold line on flesh side. Moisten and tap with hammer for sharp fold. Re-fit the project. Trim line (C) is thickness of leather from edge of form. Trim leather this distance from all edges indicated above, at arrows (C). Trim the top (D) flush with the top of the form.



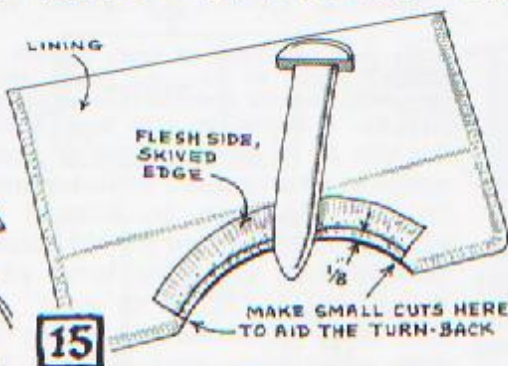
**10**

Cement lining to side pieces. Sew at top only. Skive lining at miter joint edges with the French Edger.



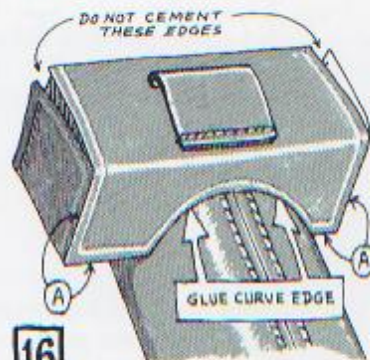
14

Now, . . . take all the lining off of the mandril and viewfinder form. Re-fit the case around the mandril and sew the butt joint down to bottom channel (see HS, step 18, page 32). DO NOT cut off the threads.



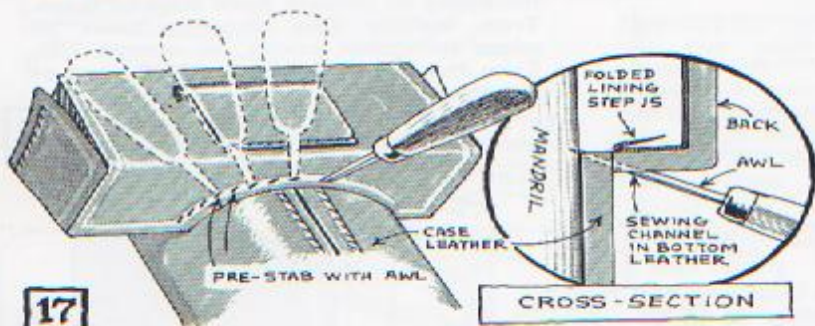
15

Turn the back/bottom piece to lining side up. Moisten the lining at curve and fold back away from the edge, a bit, as shown above. Press the lining edge as flat as you can get it. Stitching will come out in the curved edge. . . we do not want it through the lining.



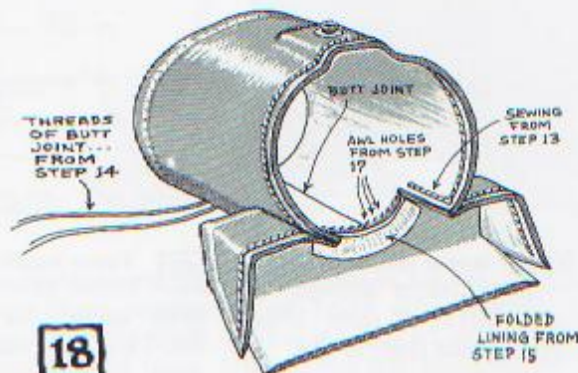
16

Apply cement to miter joint edges at (A) only. Apply a bit of strong bonding cement to the edge of the curve. Now fit the piece in position. Bottom should be tight against the bottom of the form; curve, tight against leather on mandril. Adhere the miter joint edges at (A). All top edges should be flush.



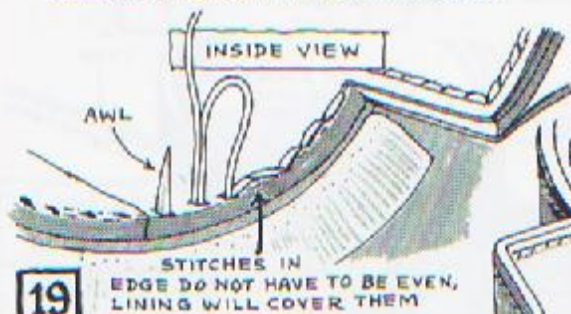
17

Now, . . . pre-stab the sewing holes all around the curved section, in the sewing channel. Hold the awl at an extreme angle. The awl should come out through the edge of the leather as shown in the cross-section view. Stab into the mandril. The purpose of pre-stabbing holes: stitching will be easier, chances of error will be minimized.



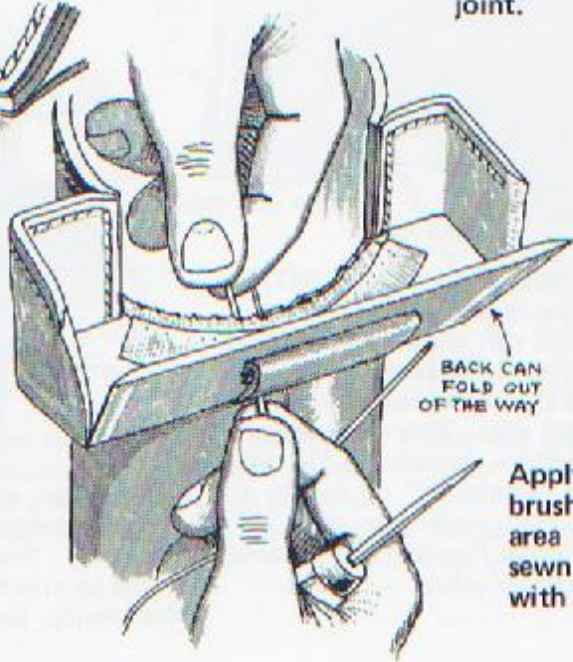
18

Now carefully slip the entire project off the bottom of the mandril. Viewed from the top, your project should look like the above illustration. No stitches should appear, inside, at the butt joint.



19

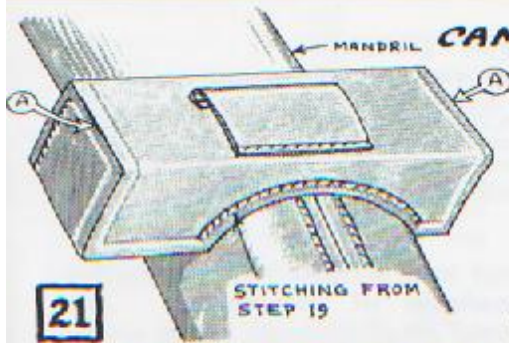
Prepare a new thread and sew the curved area. As you sew, re-open each stab hole, with awl, to insert needles. You will have to reach hand inside the case to grasp the needles, as shown at right. Sew all of curved area. Backstitch one hole; cut off threads.



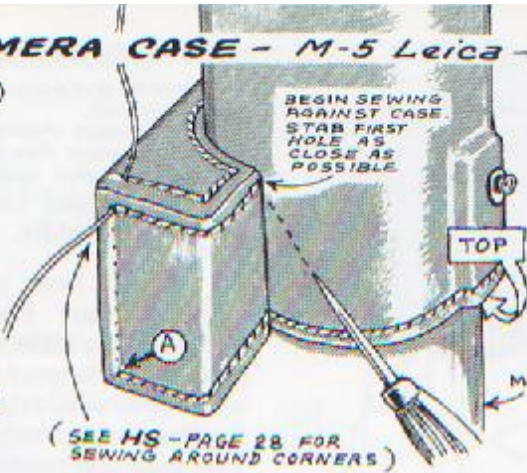
20

Apply strong bonding cement, with a small brush, to the skived edge (turn-back) and the area to which it will adhere. Fold over the sewn edge (step 19) and press down firmly with the bone folder, to adhere.

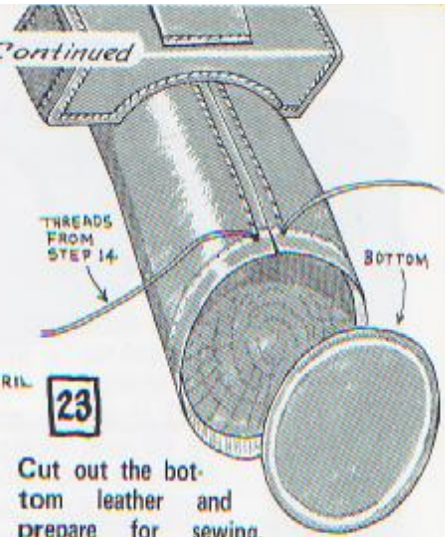
**CAMERA CASE - M-5 Leica - Continued**



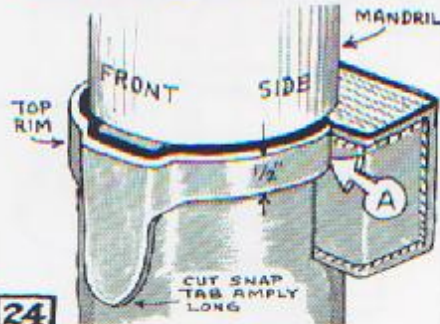
**21** Now slip case back on mandril. Cement the two remaining miter joints (A) together.



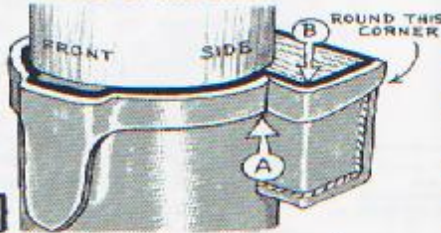
**22** Turn project, and sew as shown. Sew up to corner (A). This secures back and side. Repeat sewing opposite side. Begin stitch at (A) and sew down to body of case. . . just the reverse of this side.



**23** Cut out the bottom leather and prepare for sewing. Cement lining to bottom. Complete bottom by following: steps 19 through 31, pages 33-35, in the book: "The ART of HAND SEWING LEATHER". Burnish all miter joints.

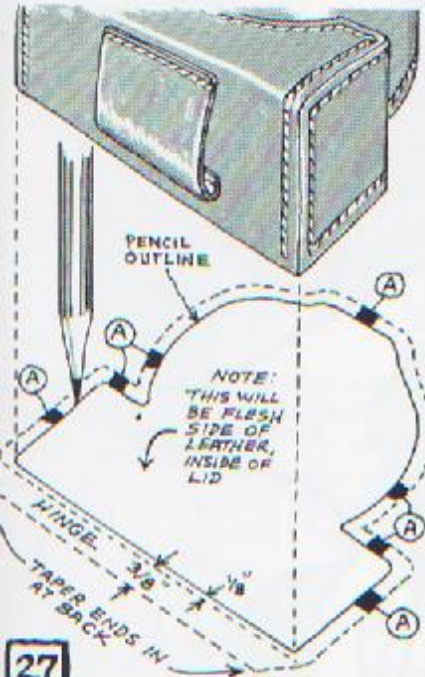
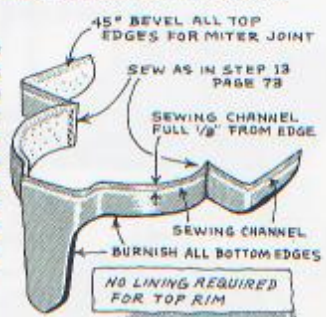


**24** Turn project up. Cut a rim for the top (with tab) for the snap, from 8/9 oz. leather. Moisten and form around front (see step 1, page 72). Fit tight at (A).

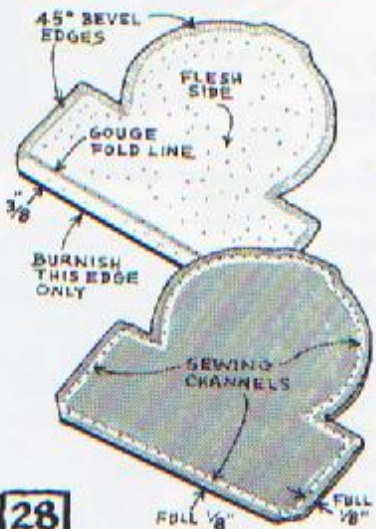


**25** Cut two side pieces. Skive ends, fit in tight (A) same as step 4, page 72. Mark for fold (B) and gouge. Cut end flush with outside of the back piece.

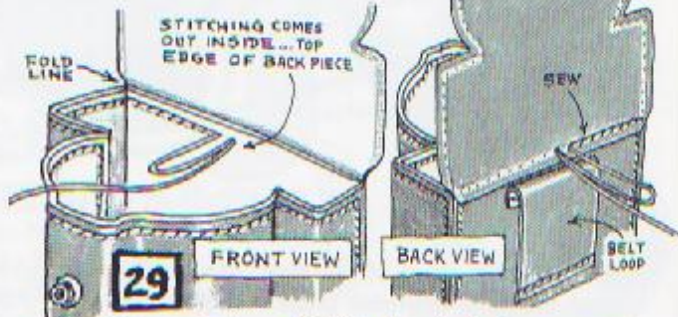
**26** Prepare the top rim as follows: gouge sewing channel at top. Burnish bottom edges. 45 degree bevel all top edges. Sew side pieces to the front piece. Study the sketch (right).



**27** Remove case from mandril. Set top on paper; draw outline with pencil. Add 1/8" more for the hinge. Extend (dotted) by thickness of the rim leather, indicated by letters (A).

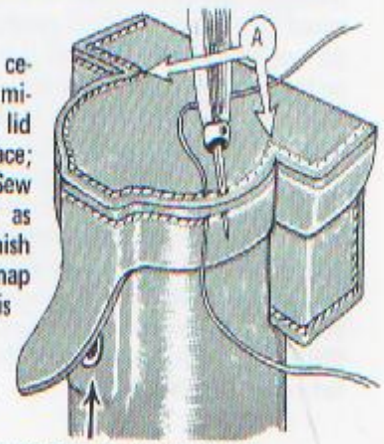


**28** Cut out the lid (8-9 oz.) Gouge fold line, moisten and fold sharply with hammer taps. Fit to top of case, mark any necessary trimming. Gouge sewing channels. Bevel miter joint edges at 45 degree angle. Cement lining to lid. . . only as far as the gouged fold. Skive lining edges at miter joints.



**29** Cement edge of lid (hinge) to back, close to gouged fold line (see above). Sew the hinge to the case.

**30** Apply cement to mitered edges, fit lid and rim in place; adhere edges. Sew around the lid as shown. Burnish edges. Install snap in tab. Case is complete.

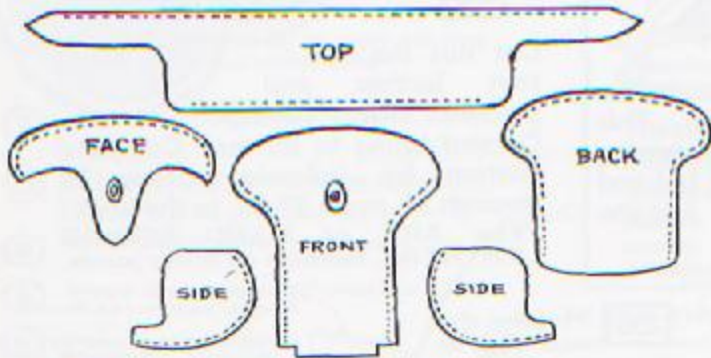


LOCATE POSITION OF TAB SNAP AND INSTALL. TRIM TAB IF NECESSARY. PHOTO SHOWS A TUCK-CATCH USED.

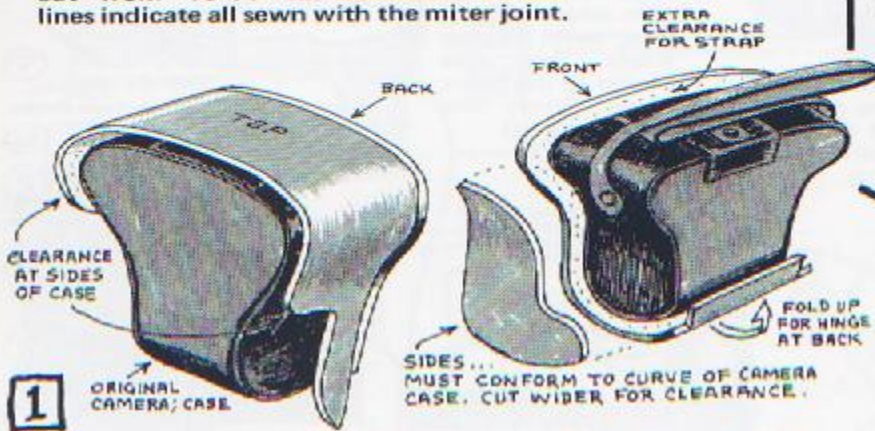
## CAMERA CASE FOR SADDLE ATTACHMENT

This case was made for a friend who wished to carry his camera on the saddle. He wanted the original case to stay on the camera, and the complete unit to fit inside a rugged leather case, . . . which could remain tied on the saddle.

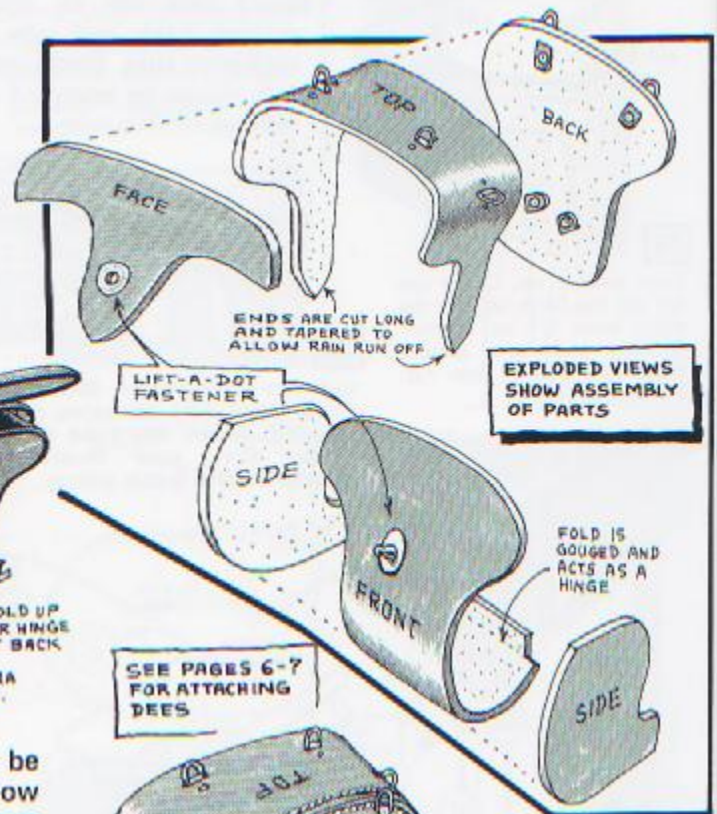
We offer it here, not as a project, . . . but to further advance your knowledge of case-making, . . . and perhaps stimulate your imagination to create similar cases to fit your own special requirements. Dees were liberally attached to top and back pieces to facilitate attaching to the saddle in various locations. This case was made of 10-11 oz. cowhide, to withstand heavy use and rough abuse.



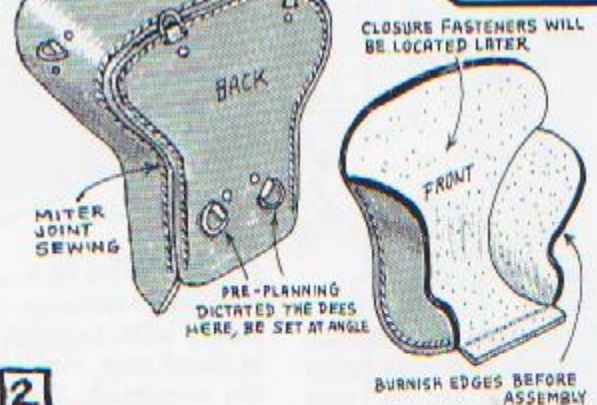
General appearance of the case parts, all cut from 10-11 oz. cowhide. Dotted lines indicate all sewn with the miter joint.



Due to the odd shape of this case, the leather should be "rough-fitted" to determine proper shape and size. Allow ample for clearance at all areas. Fit and trim all parts before any beveling for miter joints, etc. The back should be first piece cut. Top can be fitted to this, and then side cuts determined. The front piece will roughly follow the contours of the case, only larger all around. If the shoulder strap is to ride on top of the case, cut extra leather here to allow clearance. Fold loosely around the case to determine length required. Add a bit to fold up at the back, to be the hinge. The sides will be cut to this profile. By holding the leathers in place (sides under top piece) you can determine the final cut of the side and top. The top must overlap the sides, to protect the case inside. You must pre-plan some method of attaching to saddle, so you will know where to install the dees, etc. Also bear in mind, how the case will open to be sure of access to the camera. Make sketches on paper, arrive at a solution before cutting the leather.



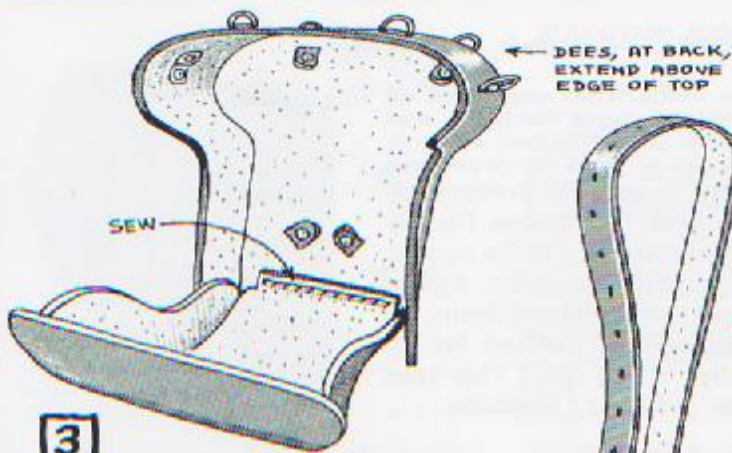
SEE PAGES 6-7 FOR ATTACHING DEES



2

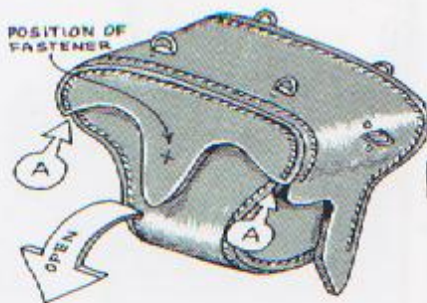
Gouge sewing channels. Bevel edges for sewing the miter joint. Install all dees before assembly. Sew the top to the back; sides to the front, as illustrated. All exposed edges should be burnished before assembly.

**CAMERA CASE - Continued**  
FOR SADDLE ATTACHMENT



**3**

Now fit the camera and case inside and locate position of hinge. Remove camera; sew hinge to the back.



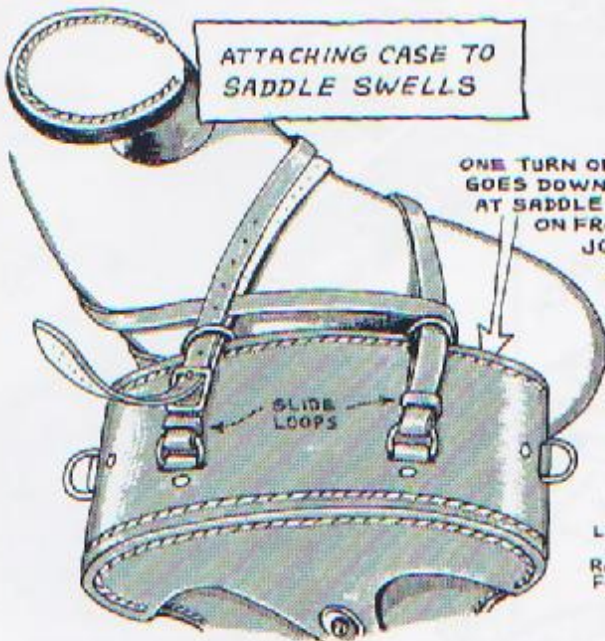
**5**

For attachment, make varying strap lengths and slide loops. See page 9 for making loops.

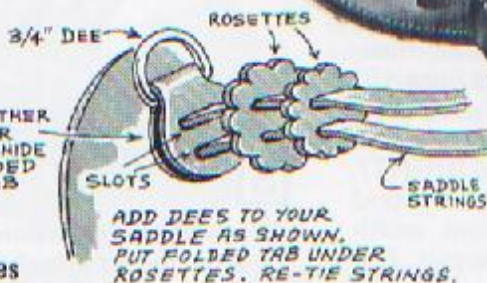


**4**

Place camera, again, inside and close front. Now cut the face piece. Trim until the corners (A) will allow clearance of the front. A snug fit is desired. Mark position of fasteners. Sew the face to the top. Install the fasteners.



Here case is attached to the swells. This requires a long strap to thread through the dees and loop under the gullet of the saddle.



Here, case is shown opened, with easy access to the camera in its original case.

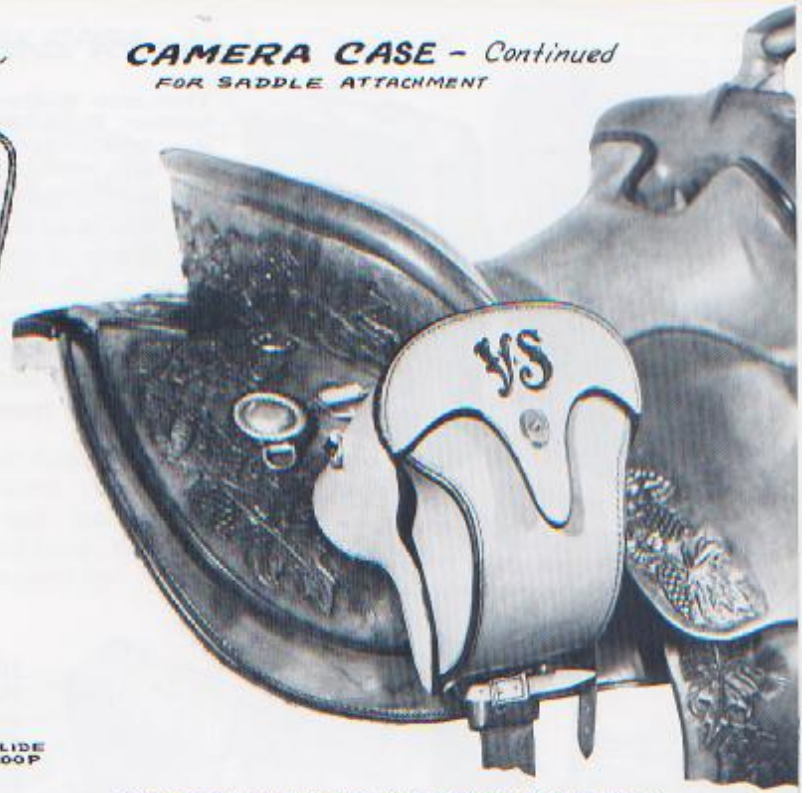
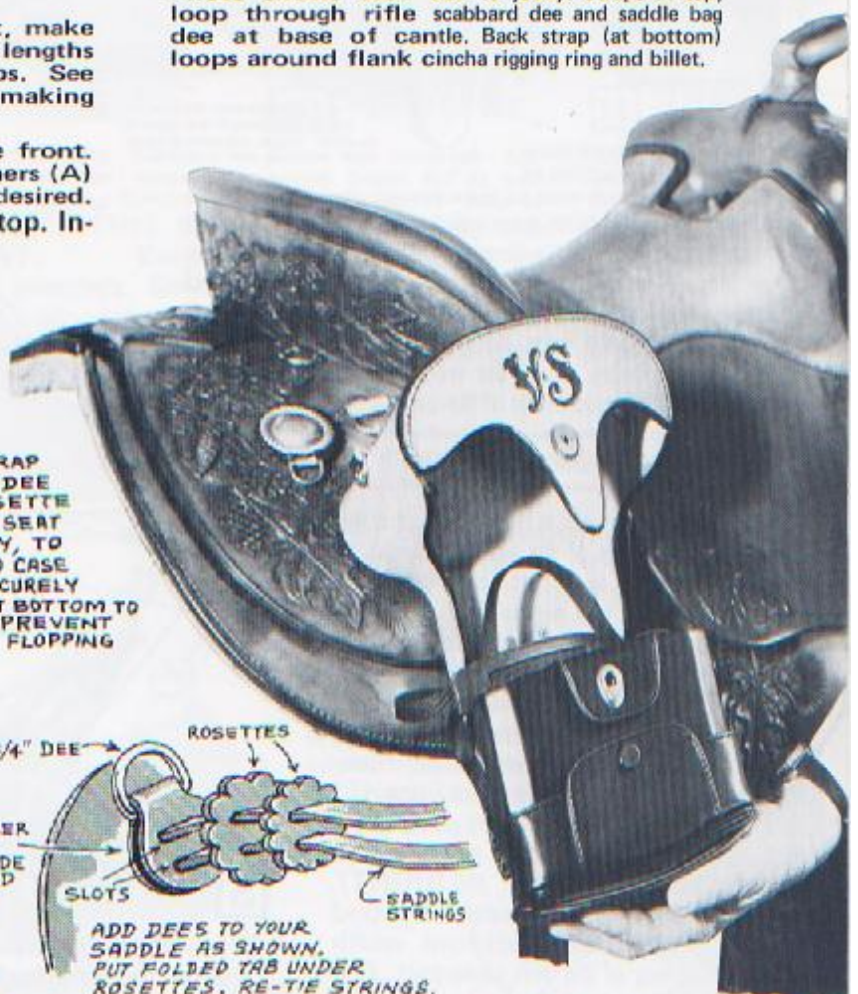


Photo shows case tied to jockey. Straps at top, loop through rifle scabbard dee and saddle bag dee at base of cantle. Back strap (at bottom) loops around flank cincha rigging ring and billet.



## CAMERA CASE - Kodak - EK6



This case is also made from one piece of leather. It has a belt loop at the back, and shoulder strap dees at the sides. Also, it is fitted with a plug at the side to protect the shutter release trigger. For protection, the lens is at the back of the case. Due to the shape of the camera, it can be carried more comfortably in this position. Again, we make the case over a wood form, as this is the most practical method for insuring a perfectly fitting case. This case was made from 9-10 oz. cowhide. . . unlined.



FORMING BLOCK

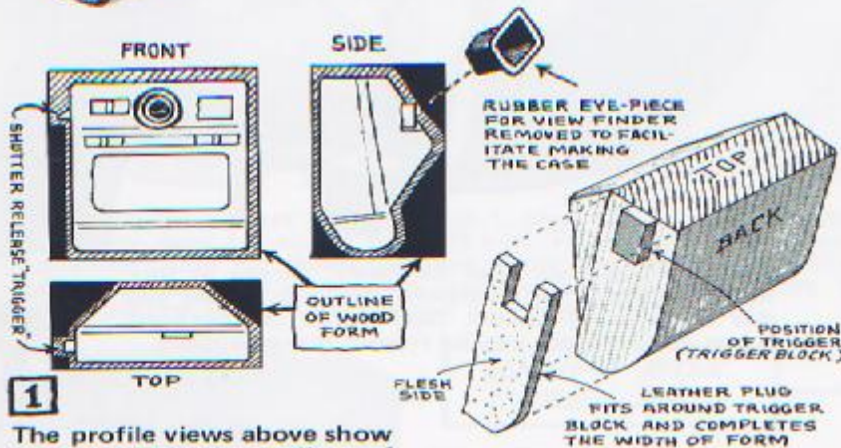
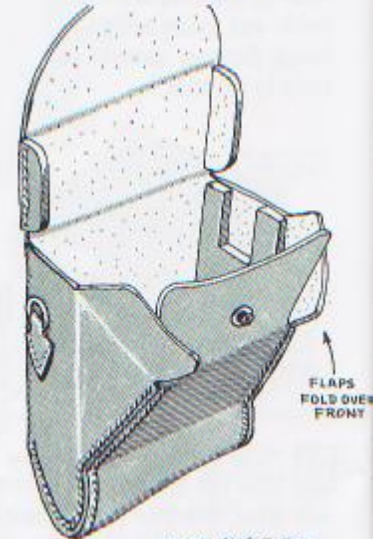


Illustration at right shows how case opens to insert or remove camera. Note the leather plug on the side, to protect the shutter release trigger.



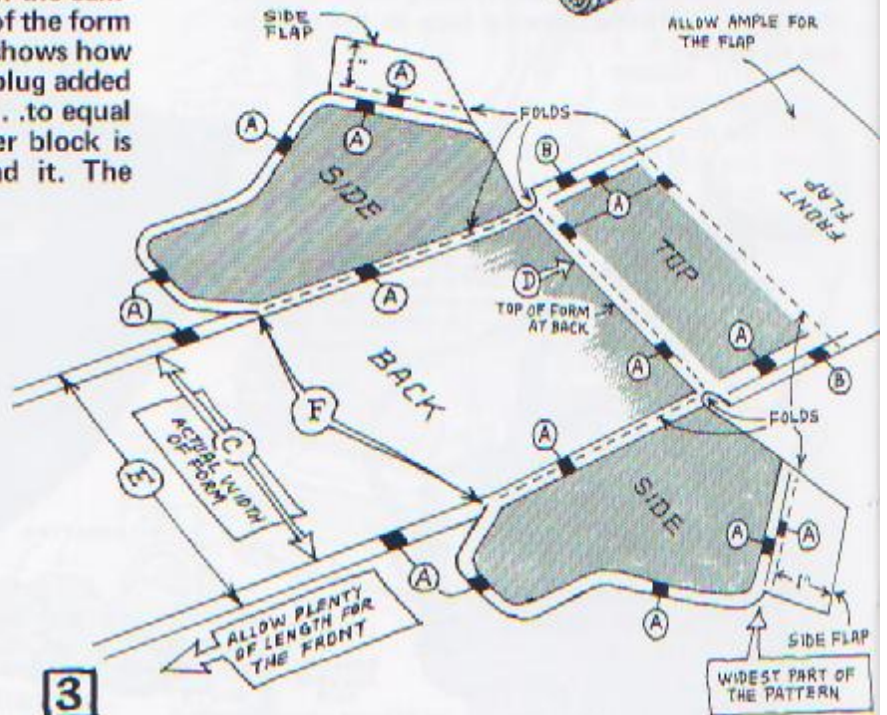
1

The profile views above show camera within the outlines of the wood form, which must be made larger than the camera dimensions. Solid black areas indicate parts of the form that can be removed. Three dimensional view shows how trigger block is added to the form, and leather plug added to compensate for the thickness of the wood. . . to equal the total width of the form. Adding the trigger block is easier than removing all of the wood around it. The leather plug will be used inside of the case.

2

### MAKING THE PATTERN

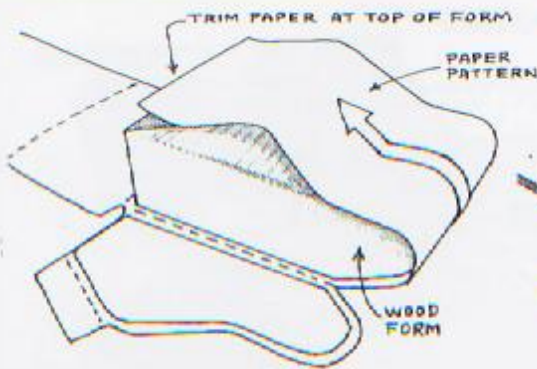
Making the pattern is not as difficult as it may appear. Follow some of the same procedures previously shown. Lay out on a large sheet of paper. First, draw two parallel lines (C) the exact width of the form. Draw a line (D) to indicate the top of the form. As with all patterns, the thickness of the leather must be included. . . this is shown by the black blocks at all letters (A). Now, including leather thickness, at each side, draw two more lines (E) paralleling lines (C). Place the form on its side, back against line (E) and draw around it to make the side patterns (LEFT and RIGHT). Shaded area, on sketch, indicates the wood form. Letters (B) indicate additional width for the thickness of the dust protectors. Cut them from 9-10 oz. cowhide.



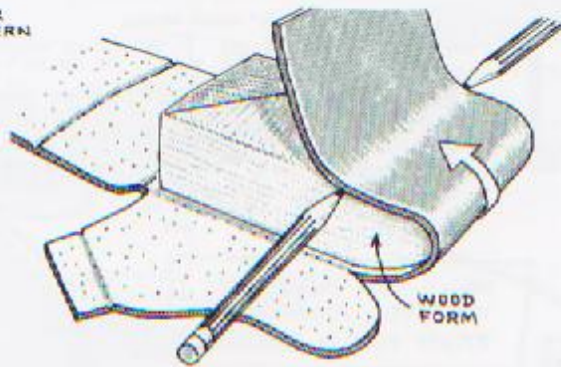
3

From the widest point of the pattern, add a side flap on each side. The dotted lines indicate all folds, that must be gouged in the leather. Make pattern cuts (F) to the fold line. Check all dimensions; cut out the pattern. Cut straight out on lines (E), for the front. Have plenty of paper to form the front.

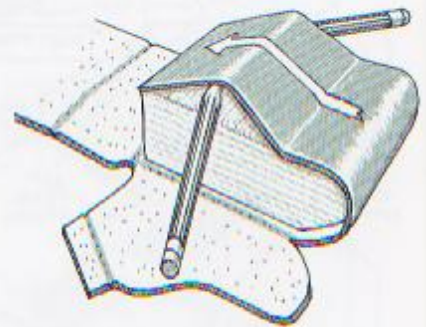




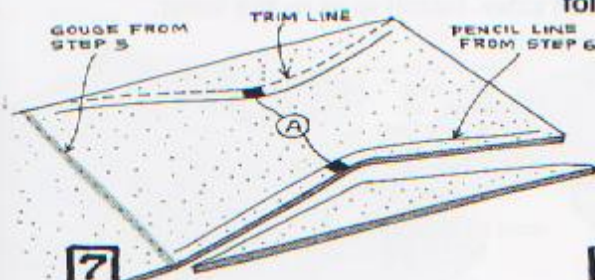
**4** Cut out the pattern. Place wood form in position and fold front over form and cut off at the top. Cut out the leather and make gouges at all folds, shown on pattern.



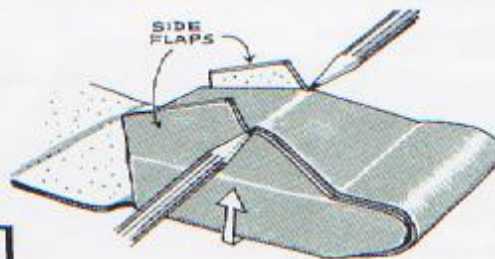
**5** Place wood form on leather and fold front piece tightly around the bottom. Mark the leather at point of form that changes abrupt angle. Remove leather and gouge flesh side, for fold, at these marks.



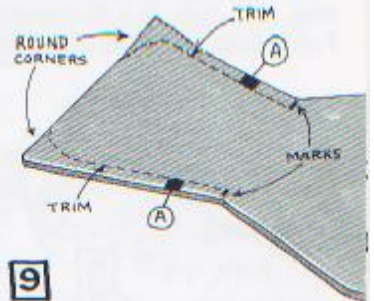
**6** Moisten the fold (step 5) and re-fit around form. Hold front tightly against form and pencil outlines, at each side, to determine the cut of the front piece.



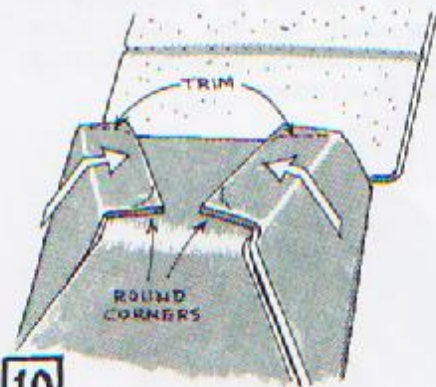
**7** Remove leather, lay flesh side up. Pencil lines (step 6) will show. Draw two parallel lines outside of these (A) the thickness of the case leather. Trim both sides.



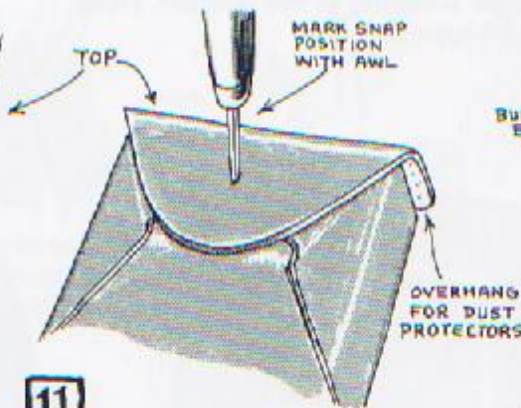
**8** Moisten side folds and tap with hammer to crease sharply. Place form on leather and fold sides and front in place. Mark the front, right at the bottom of the side flaps.



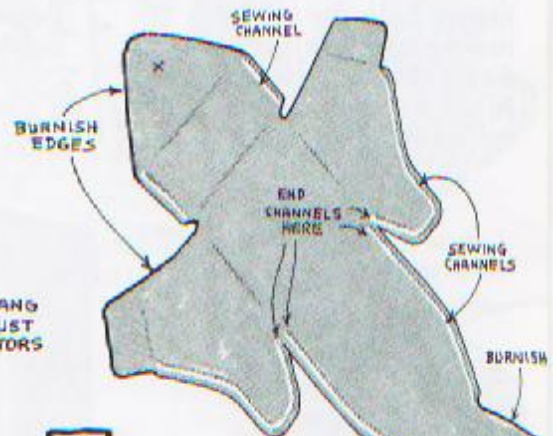
**9** From the marks (step 8) trim off the excess leather. . . shown with broken line above. The distance in from the edge (A) is the thickness of the leather. Round the corners.



**10** Moisten remaining gouges, at folds, and crease sharply by tapping with hammer. Place form back in leather and fold the case together. Fold side flaps over the front, and mark any areas to trim (indicated by dotted lines). Remove leather and trim the flaps.

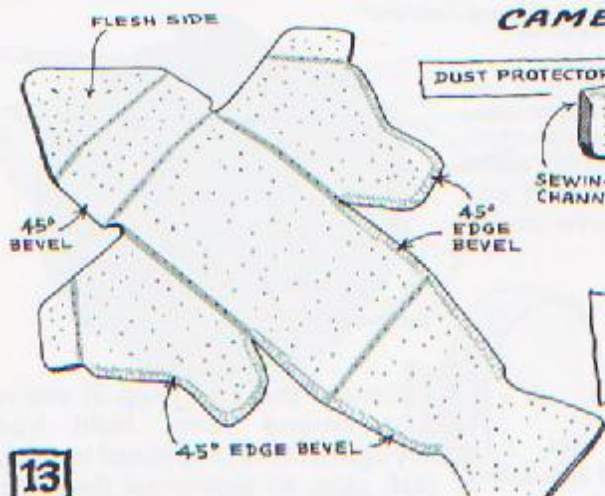


**11** Fit the case together again. Fold front flap over; mark and trim. The sides of the front flap should be at the same angle as the folds in the side flaps. Stab awl through front flap and front leathers to mark positions of the snap fastener.



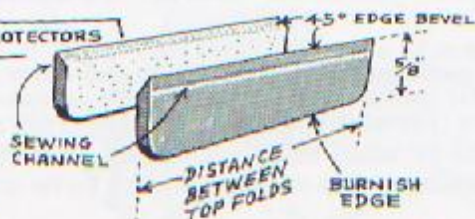
**12** Lay leather on bench, grain side up. Gouge sewing channels at all areas shown on the sketch above. Gouge channels between the top folds for dust protectors; "wheel" these. Also, "wheel" the channels in the front piece only. Burnish all edges without sewing channels. (continued)

## CAMERA CASE - EK6 - Continued



13

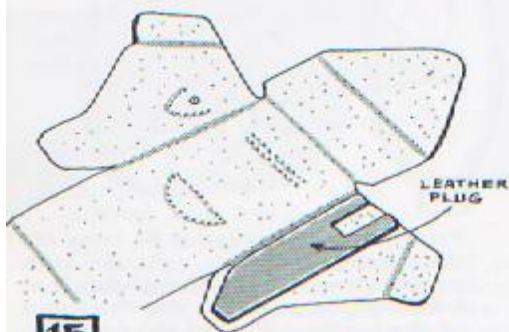
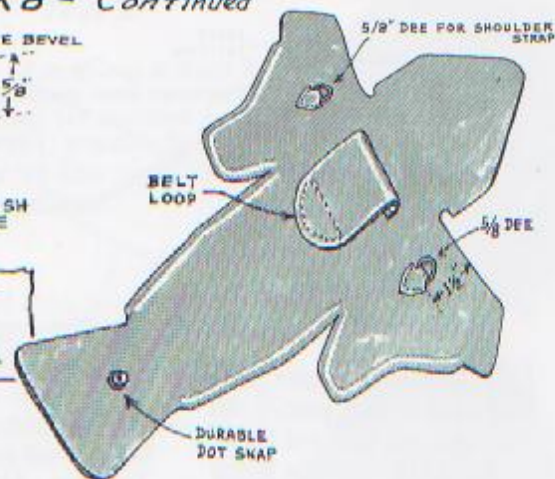
Turn leather to flesh side up and edge bevel, all areas to be sewn, to a 45 degree angle with the French Edger. Make two dust protectors.



MAKE TWO DUST PROTECTORS (AS ABOVE) FROM 9/10 oz. COWHIDE.

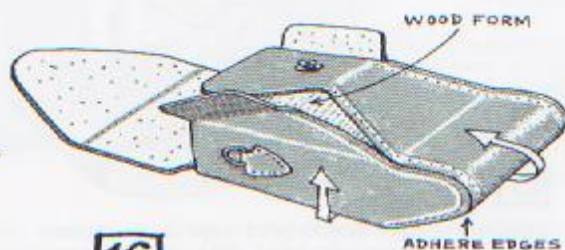
14

Turn leather over and sew a belt loop to the back. For shoulder strap, sew dees to sides as shown. These should be near the center of the wood form, at sides. Install snap to the front.



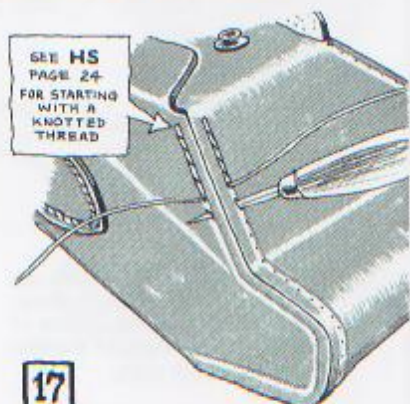
15

Now, turn leather flesh side up again. Remove the leather plug (step 1) from the wood form, and glue it to the side with strong bonding cement. Be sure it is installed on the proper side, and location!



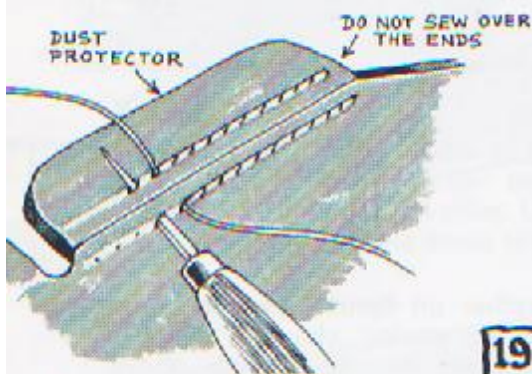
16

Apply rubber cement to all beveled edges to be sewn. Place wood form in case and fold all parts together. Begin adhering at the bottom. Hold tight against form.

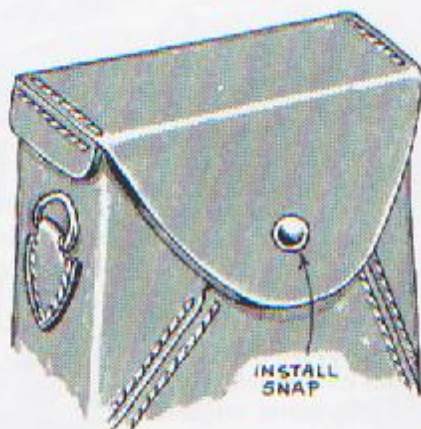


17

Sew together as previously instructed for the miter joint. After sewing, edge and burnish all sewn edges.



18 Cement the dust protectors to the top edges and sew in place. Burnish edges after sewing.



19

Fold flap over. Re-check the snap position; install snap. Case is complete. Remove the wood form. Photo at right shows camera entering the case.



## BINOCULAR CASES

The binocular cases presented here were made over wooden forms. Complete instructions begin on the following pages.



No. 1



No. 2



No. 3

**WOODEN FORMS:** Making the wooden forms is not difficult. They can be made from standard lumber dimensions by gluing and/or nailing together, and sawing to make the proper outside dimensions of the block.

Always remember to make the forming block slightly larger than the article, at all dimensions, to allow clearance. Rounded areas can be shaped with a wood rasp. Use wood chisels to chip out any of the depressions. Coarse sandpaper can be used

to smooth the finished form, if desired.

When standard lumber thicknesses will not correspond to properly increase some areas (such as the fronts on the forms below) use leather or other material of proper thickness. Or, laminate pieces to build up the required thickness.

Once the block has been made to the total dimensions, the areas to be removed can be marked directly on the wood. In most cases, it is easier to build up the wood, to form bulges, rather than cut away the wood.

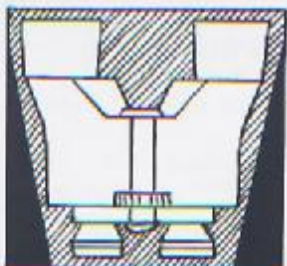
In all cases, the top of the form must be larger (or of equal size) than the bottom, or widest part. To begin removing wood from the form, make straight saw cuts at sides, and lengthwise at the corners. The wood rasp can then do the rounding and final shaping.

Since the eye-pieces of most binoculars are narrower than the optical lens, they generally go to the bottom of the case. The small glasses of No. 3 are the exception; the eye-pieces will be at the top to the case.

See page 12 for additional suggestions for making wooden forms.



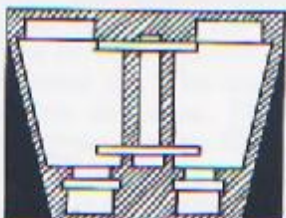
REMOVE AREAS OF BLOCK SHOWN IN SOLID BLACK



EYE-PIECES



REMOVE AREAS OF BLOCK SHOWN IN SOLID BLACK



EYE-PIECES



REMOVE AREAS OF BLOCK SHOWN IN SOLID BLACK



EYE-PIECES

NOTE THE CENTER LINE DOWN THE BACK SIDE OF EACH FORM



BACK

FRONT

Form made of 3 pieces 2 x 4 standard lumber.  $\frac{1}{2}$ " plywood scabbed on front; tapered at sides and bottom.



BACK

FRONT

Form made of 3 pieces 1 x 6 standard lumber. Laminated leather build up on front.



BACK



FRONT

Form made of one piece 2 x 6 standard lumber.  $\frac{1}{4}$ " plywood glued on front to build up necessary thickness.

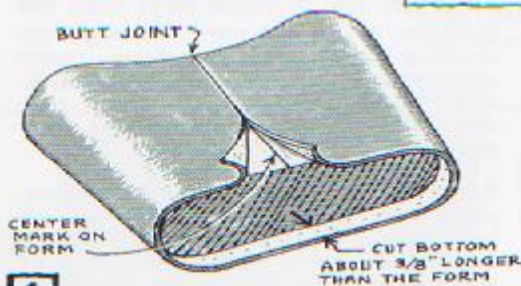
## BINOCULAR CASE - No. 1



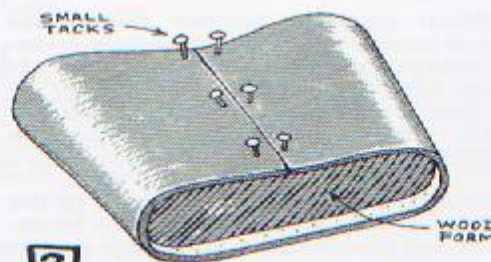
This case has the shoulder strap dee attachments, as the case and binoculars are too bulky to be comfortably worn on the belt. The snap tab, at front, is riveted to a metal loop so that it will hinge out of the way when the case is opened. This attachment is used because the case snap had to be set low, against a bearing surface, due to the make of the binoculars. If the snap tab was a solid piece connected to the rim (being so long) it would be in the way to insert or remove the binoculars.

CARVING DESIGNS FOR BIRDS ON PAGE 85

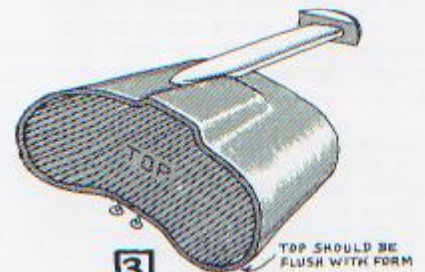
Make the forming block for this case from suggestions on page 81. This case was made from 9-10 oz. cowhide. If you wish to line it with light leather, the case can be made from 7-8 oz. cowhide.



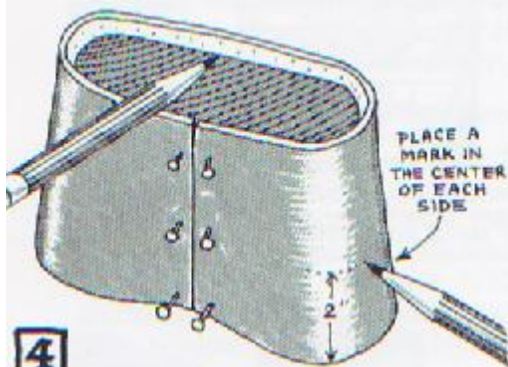
**1** Make a paper pattern to fold around the form. Leave it long at the bottom, but trim flush with the top. Now cut the leather, allowing extra for the butt joint; be sure you have enough. Draw a center line down the back of the form.



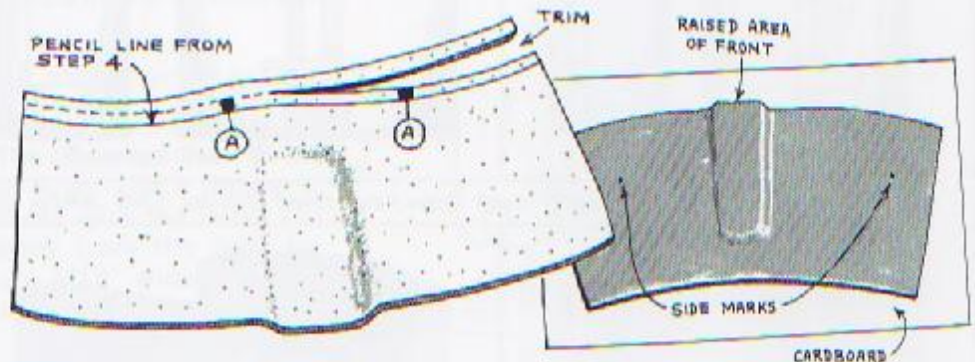
**2** The leather does not have to be "cased", but it should be wetted by submerging in water for about 1/2 minute. Fold around the form snug but not tight (leather shrinks upon drying) and trim the sides to form a butt joint. Tack it to the wood, about 1/8" from the edges.



**3** Turn project over and shape the front by pressing down with a bone folder. Work the leather as close to the form as possible. Do not "overwork" it, as it may burnish and discolor more than desired.



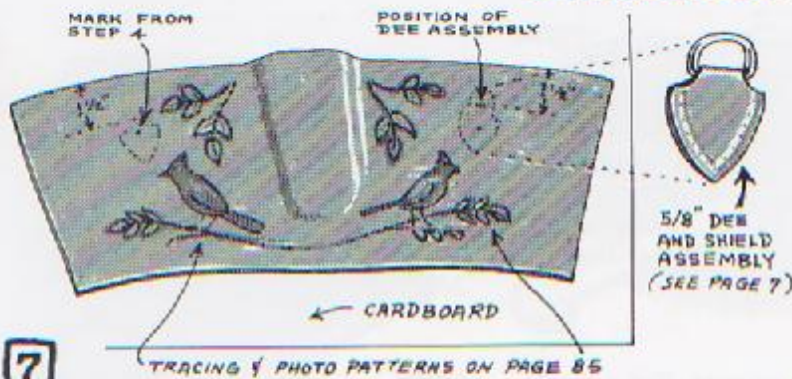
**4** Turn leather bottom up and draw a line, on the leather, all around the edge of the form. Hold the leather firmly against the form. Also check the top edge to see if any trimming is required. If you want the shoulder strap dees, mark each side (in the center) about 2" down from the top.



**5** Remove the leather and place flesh side up. Scribe a parallel line (broken line above) outside the pencil line. The distance (A) is determined by the thickness of the bottom leather. Use 9-10 oz. cowhide. Trim off excess.

**6** If the case is to be carved and stamped, rubber cement the leather to cardboard (to prevent stretch). The raised area will not have to be disturbed, or cemented down, unless it, too, will be decorated.

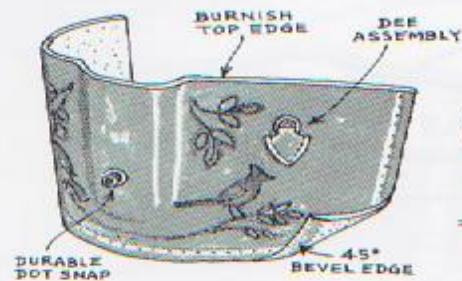
## BINOCULAR CASE - No. 1 - Continued



**7** After decorating the leather, make the dee assemblies and lightly mark their positions on the case as shown above. NOTE: the measurement, down from top edge, is to the fold of the dee shield. When the leather is thoroughly dry. . . remove the cardboard.



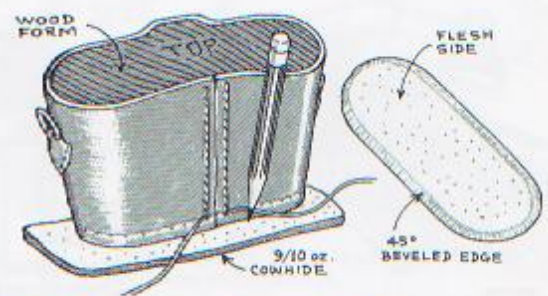
**8** Fit the leather back around the form and check for fit. Moisten the flesh side of the raised area, if necessary, to reshape. If the joint will not reach, moisten flesh side and stretch around form. Check all other fitting. Gouge bottom and side channels as instructed in step 5, page 90.



**9** Bevel the bottom edge to a 45 degree angle for miter joint. Burnish top edge. Sew dee assemblies to the sides. Install snap. NOTE: In this case, snap is set low to have a bearing surface (see diagram on page 81).

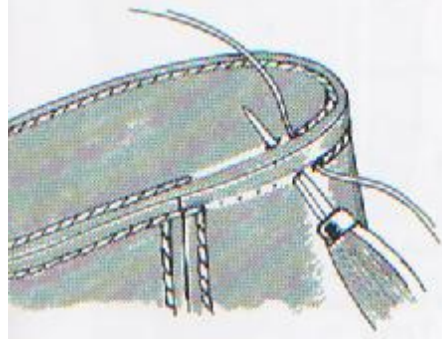


**10** Fit the leather around the form and tack in place. Begin at the top and sew butt joint, using the curved awl and needles. Sew to bottom. . . DO NOT cut off the threads!

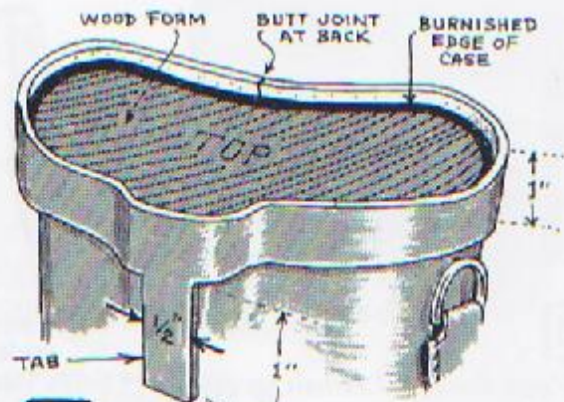


**11** Trace around the bottom, and cut the bottom piece. Check for fit. Gouge a sewing channel all around the edge.

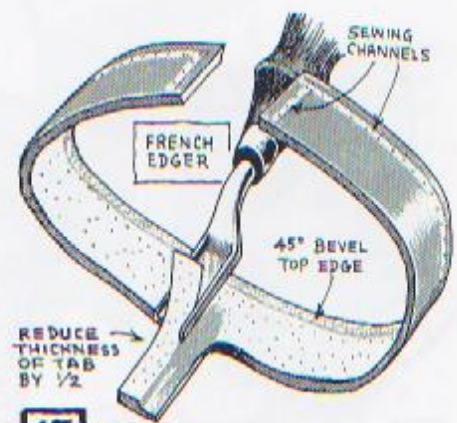
**12** Turnover and bevel a 45 degree edges as shown.



**13** With the wood form still in the case, cement the bottom in place. Sew in the bottom exactly as instructed in the book: "The ART of HAND SEWING LEATHER". . . steps 23 to 30, pages 33 and 34.



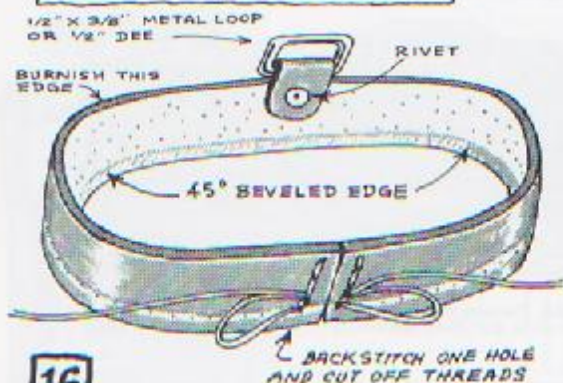
**14** For the top, cut a collar strip of 9-10 oz. cowhide 1" wide, with a tab at the front, as shown. Fit to a butt joint at the back.



**15** After fitting, gouge sewing channels as shown. Bevel top for miter joint. Reduce the bulk (thickness) of the tab by skiving as illustrated above. (continued)

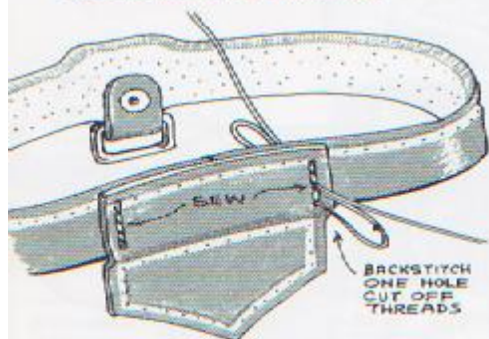
SEE PAGE 89 TO AID IN SEWING COLLARS AND HINGES

## BINOCULAR CASE - No.1 - Continued



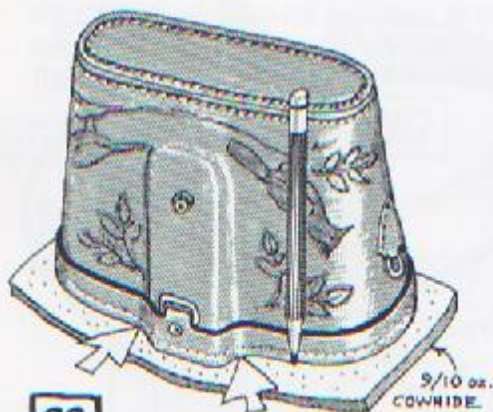
**16**

Burnish the edge. Moisten tab and rivet loop, or dee, in place. Fit back on case and check the butt joint. Sew the joint as far as the top channel.



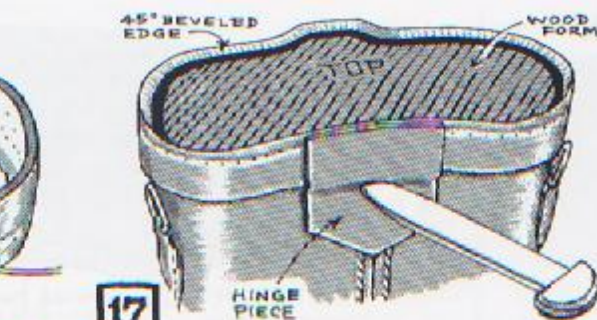
**19**

Now fit hinge back on case (position, step 17). Mark sides, apply cement and adhere in place. Remove from form, and sew ends to the collar (above).



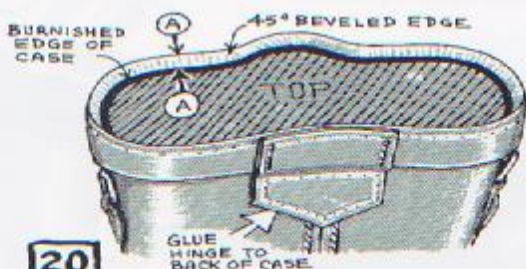
**22**

Put form back inside case. Trace around the top edge to make the top. Push in (at arrows) while tracing, to make a good fitting top.



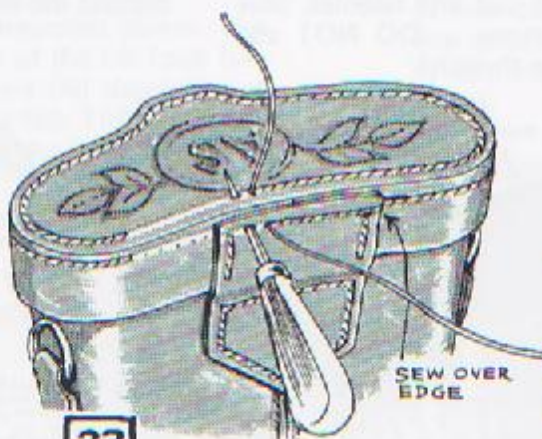
**17**

Place collar back on case. Cut a piece of 6-7 oz. cowhide for the hinge about  $2\frac{1}{2}$ " x  $2\frac{1}{2}$ ". Shape the bottom as shown. Moisten, hold in place, and form under the collar edge. Shape against the case.



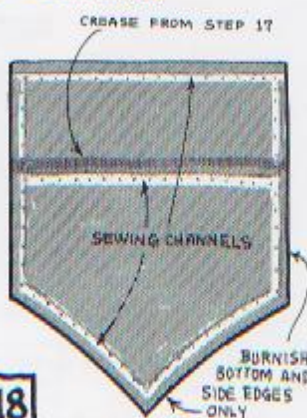
**20**

Place collar back on case and glue lower part of hinge to the case. NOTE: The top of the collar (beveled edge) should stick up above the top (A) by the thickness of the top leather; 8-9 oz. cowhide.



**23**

Cut out the top. Cement to cardboard; stamp design. Remove cardboard, gouge sewing channel. 45 degree bevel edge on flesh side. Cement top to collar and sew all around. Burnish the mitered edge.



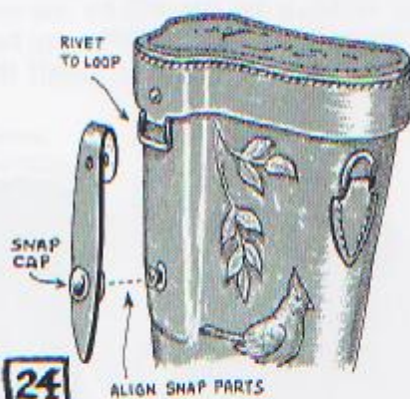
**18**

Burnish edges shown. Gouge sewing channels all around, and directly under the creased area. Top channel should be slightly farther from the edge, as sewing must go at an angle through top.



**21**

Now, remove the form and sew the lower part of the hinge. Stitches will come out inside of the case.



**24**

Cut a snap tab from 6-7 oz. cowhide,  $\frac{3}{8}$ " wide. Taper to  $\frac{1}{2}$ " at top and skive flesh side to reduce bulk at the fold. Taper end and burnish edges. Rivet top to the loop. Locate position of snap cap and install. Case is complete.

SEE PAGE 62 FOR SUGGESTED SHOULDER STRAP DIMENSIONS.

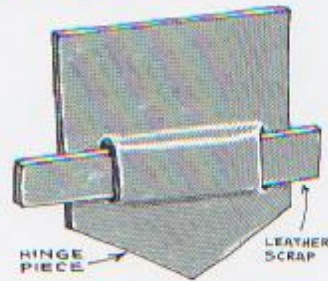
## BINOCULAR CASE - No. 2

This case is constructed exactly as with case No. 1 on page 82, except for the difference of the snap tab. The tab and collar are cut from one piece. See page 81 for wooden forms for binoculars.

This case was made "rough-out" (flesh side) and carved with Oak Leaf design. The buckstitching was set down in a recessed channel for protection. This technique, and many other buckstitching instructions, are fully explained in my book: "How to BUCKSTITCH".



Photo (left) shows two 5/8" slots in the hinge piece. The purpose of these: for tying with saddle strings, to secure the case to the saddle.



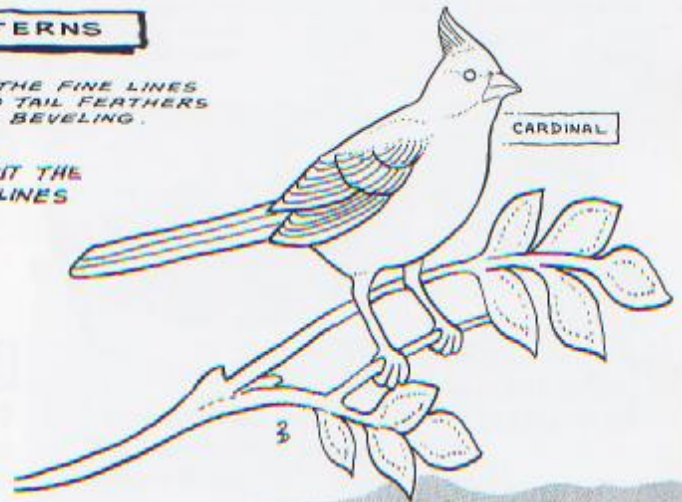
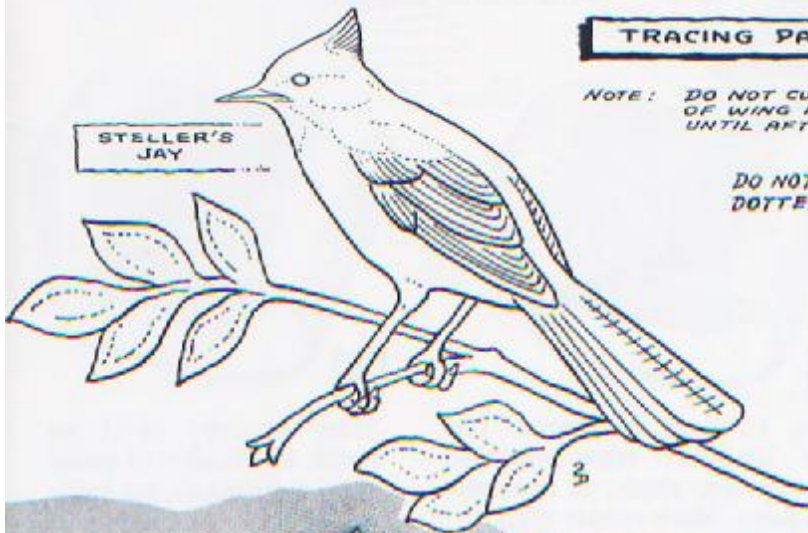
Punch two 5/8" slots as shown. Moisten leather and run a strap through slots. Shape leather around strap with a bone folder. Assemble in step 17, page 84.

### CARVING DESIGNS for BINOCULAR CASE No. 1 - Page 82

#### TRACING PATTERNS

NOTE: DO NOT CUT THE FINE LINES OF WING AND TAIL FEATHERS UNTIL AFTER BEVELING.

DO NOT CUT THE DOTTED LINES



#### PHOTO PATTERNS

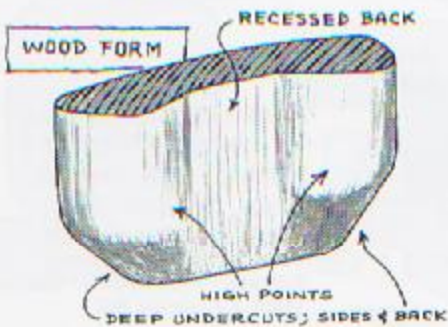


## BINOCULAR CASE - No. 3

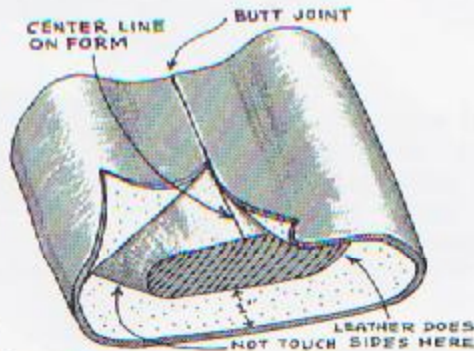


These 7 x 18 mini-binoculars are ideal for hunting and outdoor recreation, as they are light in weight and compact. This case was made with the shoulder strap dees and also has a belt loop sewn on the back.

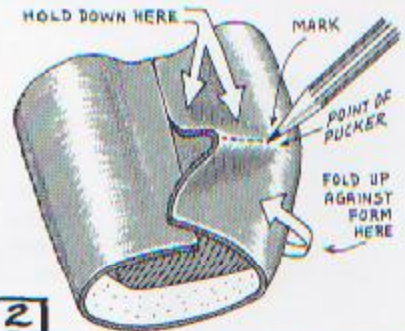
The forming block has most of the excess wood removed and offers an excellent opportunity to show you additional forming techniques that can also be applied to other cases, where forming may be difficult. This case was made of 7-8 oz. cowhide. . . unlined.



Since this form has many complex angles, a flat piece of leather will not form tightly around it without puckering in one place or another. Follow the instructions beginning at right, to cover this form.

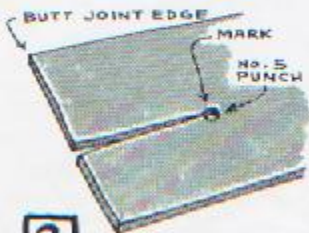


**1** Cut the leather as in step 1, page 82. Cut about 1" long at the bottom. Draw a center line on back of form. Fold leather around and trim to a butt joint. You'll notice the leather will not fit at bottom.



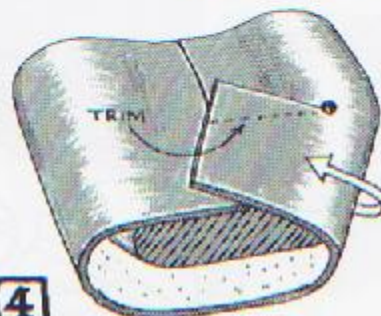
**2**

Immerse the leather in water for about 30 seconds. Fold around form again. Hold butt joint down at top, and fold bottom up against form. This makes a pucker. Dotted line (top of pucker) indicates cut to make in the leather (step 3).



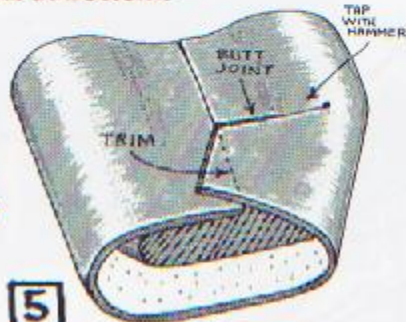
**3**

Remove leather and punch a hole at mark (step 2). Cut straight out from this mark.



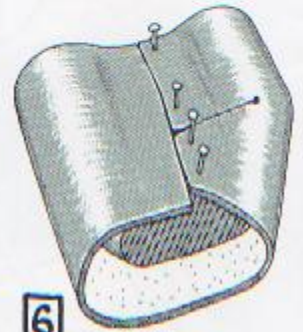
**4**

Fold back around form, and mark to trim off excess flush with upper cut.



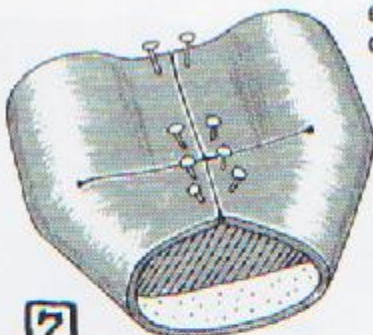
**5**

Trim; fit back on form. Tap with hammer; trim more to take out any slack, to form the butt joint. Mark center trim.



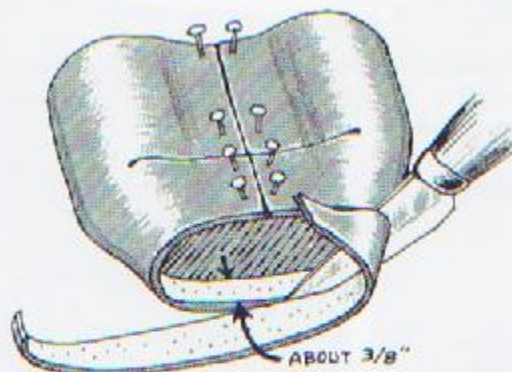
**6**

Trim leather, re-fit to form. When all cuts make good butt joints, set tacks about 1/8" from edges.

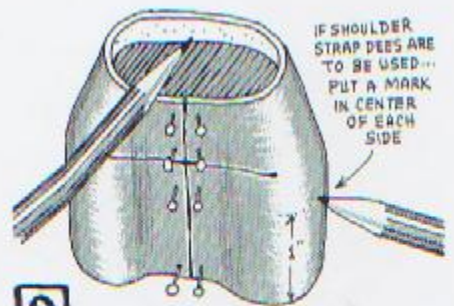


**7**

Now repeat operation on opposite side. With proper fitting, you'll note the No. 5 punched holes will almost completely disappear. Tap these areas with hammer. Tack other side.



**8** With a sharp knife, trim off most of the excess at the bottom. Check top, trim flush with the form.

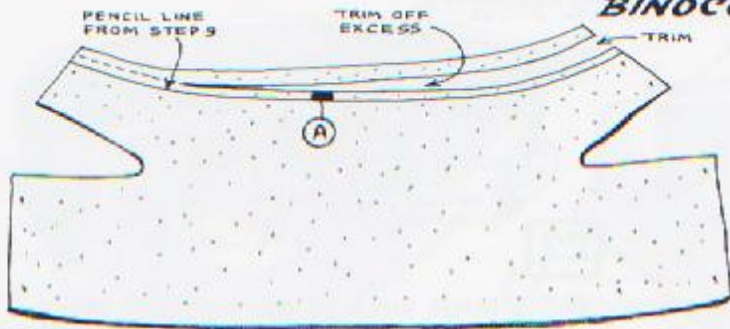


**9**

Draw a line on the leather all around the bottom edge of the form. See notation about the shoulder strap dees. (continued)

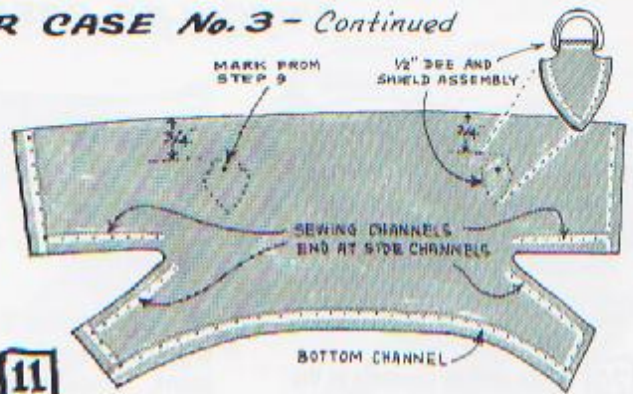


## BINOCULAR CASE No. 3 - Continued



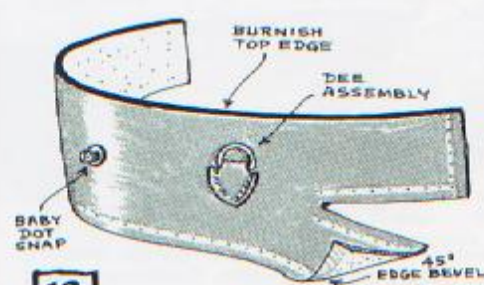
**10**

Remove the leather, place flesh side up. It should resemble the above sketch. Scribe a parallel line outside the pencil line. The distance (A) is the thickness of the bottom leather to be used; 8-9 oz. cowhide. Trim off the excess.



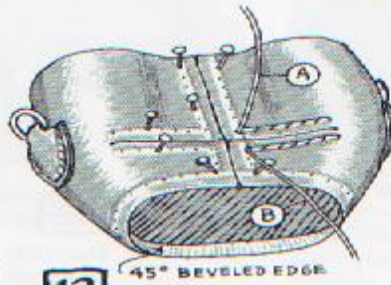
**11**

If the case is to be decorated, follow steps 6-7 for binocular case No. 1. Lightly mark the positions of the dee assemblies on the case. Gouge sewing channels about 1/8" from edges, at all areas (above), and "wheel". REMEMBER . . . butt joint wheel marks should match with the opposing side.



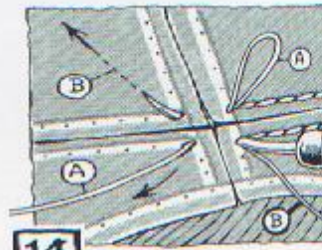
**12**

Bevel bottom edge for miter joint. Burnish top edge. Sew dee assemblies in place. Install snap in center of case, about half way down.



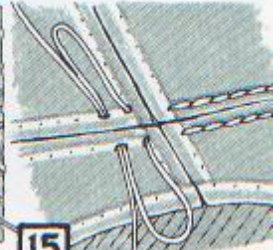
**13**

Fit leather back on form; tack in place. With curved awl and needles, sew butt joint, as shown.



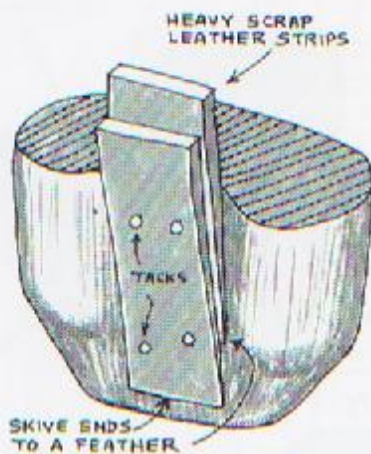
**14**

Cross threads over to opposite side as shown above. Awl stab through the corners; through edges. Cross threads as shown.



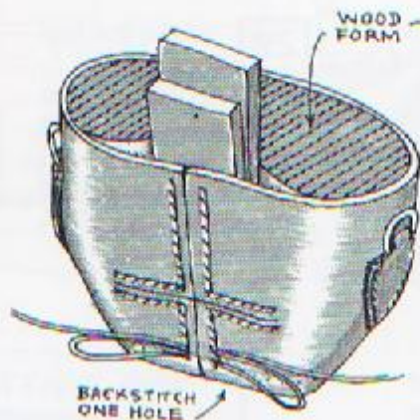
**15**

Pull crossed stitches tight and continue sewing the opposite butt joint. No stitches should show inside case.



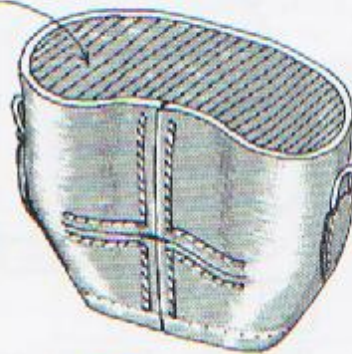
**16**

Remove the case from the form. Since this form has a deep depression in the back, sewing the center butt joint would be difficult. Therefore, build this up flush with the back sides, with scrap leather as illustrated.



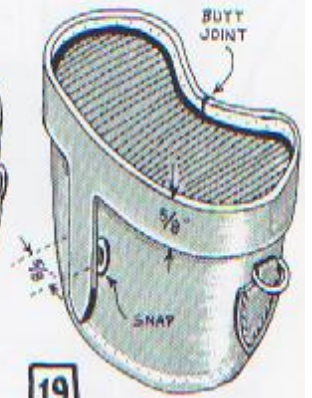
**17**

Fit the case back on the form, and sew the center butt joint down to the bottom channel. Backstitch, and cut off threads. Sew past the side joints exactly as shown in steps 14 and 15.



**18**

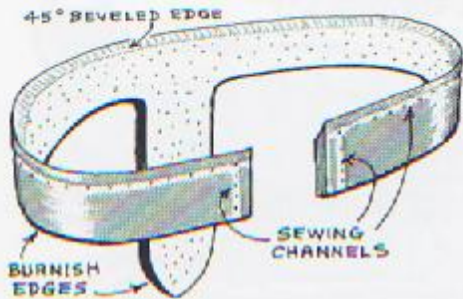
Once again, remove the case from the form. Remove the leather scrap and return the case to the form. Tap all stitched areas with hammer.



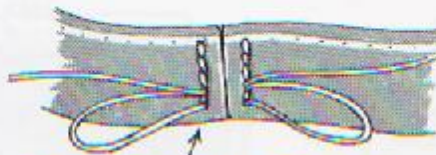
**19**

Cut a collar strip for the top 1/2" to 5/8" wide, with a tab at the front long enough to cover the snap on the case. Fit to a butt joint at the back. (continued)

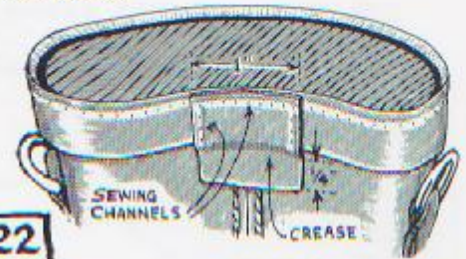
## BINOCULAR CASE No.3 - Continued



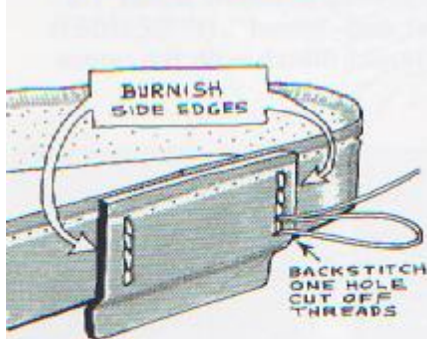
**20** Gouge sewing channels at the top and the ends. Burnish bottom edge. Edge bevel the top, for the miter joint.



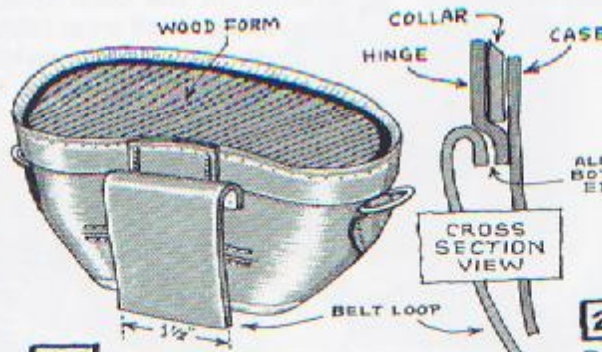
**21** Place the collar back around the case and sew the butt joint. Backstitch one hole and cut off threads.



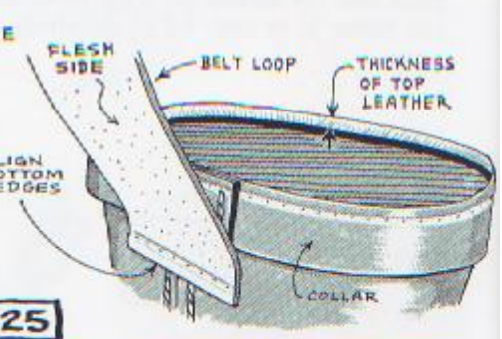
**22** Cut a hinge piece (6 oz. cowhide) about 1" wide. Moisten, fit in place and crease with bone folder under the collar edge. Trim off  $\frac{1}{4}$ " below the crease. Gouge sewing channels (shown) and cement the top only to the collar.



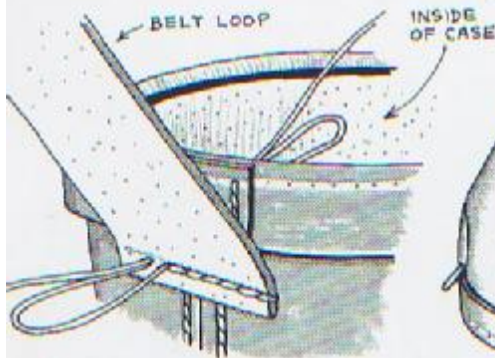
**23** Remove collar and sew sides of hinge to collar. The project can be put in stitching horse to sew.



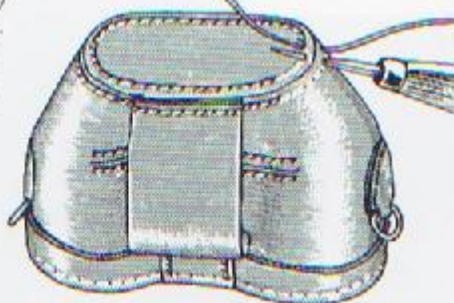
**24** Fit collar back on the case. Cut a piece of 6 oz. cowhide for the belt loop. Moisten top and fold sharply. Folded edge should align with bottom edge of hinge (see cross section) cut amply long.



**25** Burnish sides of belt loop and gouge sewing channel at edge, on flesh side. Position collar on case with the beveled edge above the wood form by thickness of the leather for the top ( $\frac{7}{8}$  oz.). Glue the bottom edge of the hinge to the case, in this position. Now glue the belt loop in place. . . be sure it does not move from this position.



**26** Once again, remove the form. Sew the belt loop to the case. Stitching comes out inside the case. Stitching also catches the bottom edge of the hinge, securing the collar to the case. Place the form back in the case.



**27** Make the bottom and cement in place (same as steps 11-12-13 on page 83). Fold belt loop down, trim end flush with bottom; gouge sewing channel. Glue in place. Sew all around the bottom, including bottom edge of the belt loop.

**28** Make the top (same as steps 22-23 on page 84) and sew all around. Burnish all mitered edges. Install snap in the front tab. Case is complete.

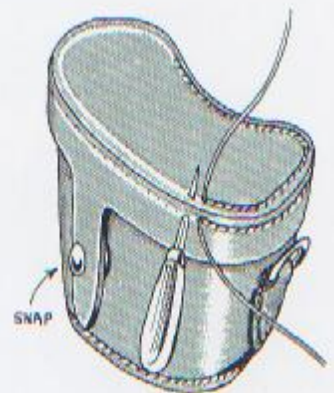
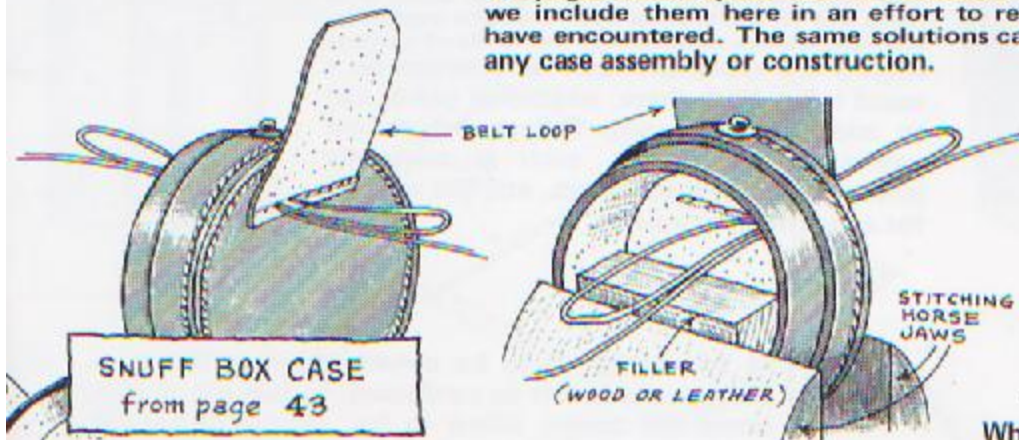


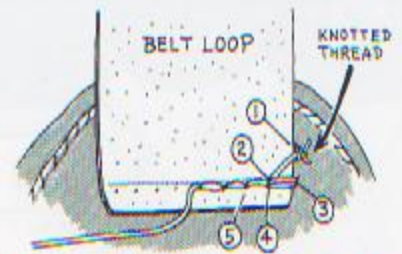
Photo shows completed case with belt loop and hinge assembly.

## TIPS: ADDITIONAL SUGGESTIONS when MAKING CASES

On pages where space was not available to fully detail every facet of the assembly, we include them here in an effort to remove any questions or problems you will have encountered. The same solutions can be applied to similar circumstances with any case assembly or construction.



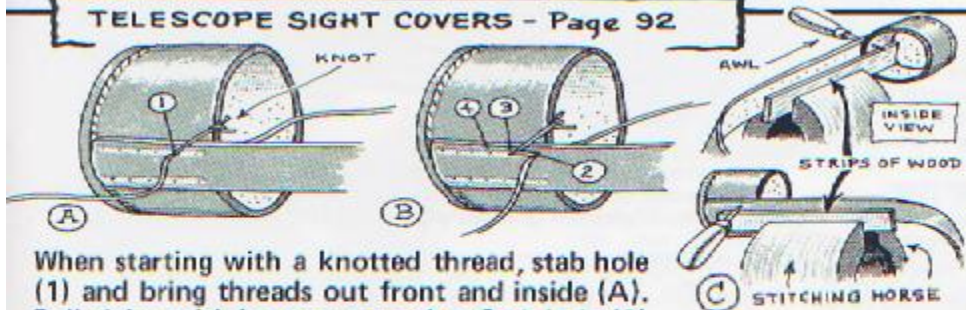
To hold the case in the stitching horse (and keep from crushing it) while sewing the belt loop, insert a filler slightly thicker than the depth of the case, and clamp in horse (as above). Sew the top of the belt loop. Remove case, turn over and put filler in opposite end. Re-clamp in horse and fold belt loop over and sew the bottom edge.



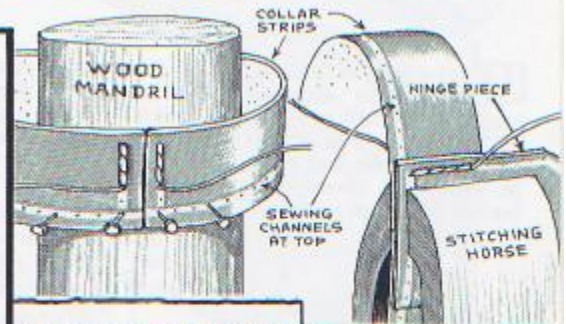
### STARTING WITH KNOTTED THREADS

When starting with a knotted thread, follow this procedure: Stab awl hole (1) through case at edge of belt loop. Pull knot against case, as shown. Stab hole (2) take stitch. Stab hole (3) take stitch. Hole (4) goes back through hole (2). Stab hole (5) continue sewing to end. To remove knot, cut off threads at (2) inside and out.

### TELESCOPE SIGHT COVERS - Page 92



When starting with a knotted thread, stab hole (1) and bring threads out front and inside (A). Pull tight, with knot on top edge. Stab hole (2) take stitch. Continue sewing (holes 3 & 4) as in (B). . . Continue sewing as in step 7, page 92. Cut off threads, inside and out, at hole (3). Illustration (C) shows how project can be held in stitching horse with two wood strips.



### Sewing BUTT JOINTS on COLLAR STRIPS

BINOCULAR CASES  
SIMILAR PROJECTS  
Pages 84-88-113

Tack strip to a wood mandril so both hands are free for sewing. Hold mandril between knees.

Sewing HINGE PIECES to COLLAR STRIPS  
Pages 84-88

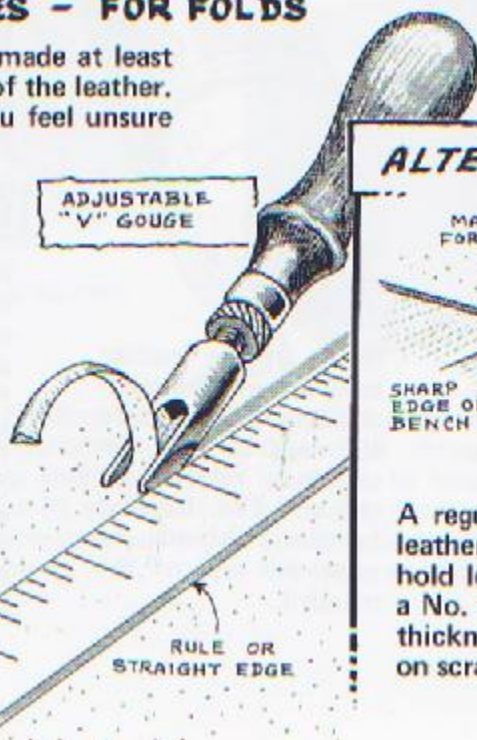
Place the project in stitching horse. Both hands are free for sewing. Turn over to sew other edge.

### MAKING GOUGES - FOR FOLDS

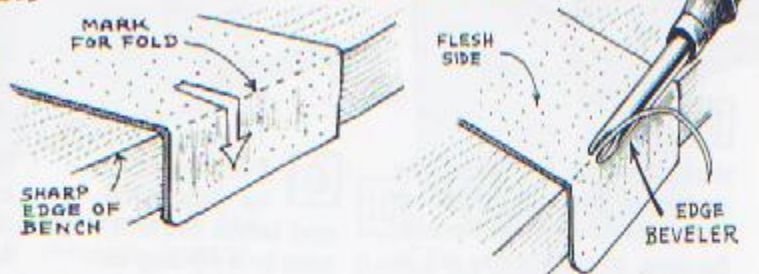
Fold gouges should be made at least one half the thickness of the leather. Practice on scrap if you feel unsure of yourself.

**ALWAYS... GOUGE ON THE FLESH SIDE!**

Adjust the gouge to desired depth; test on scrap leather. Use a straight edge to aid in making straight gouges, hold it firmly with one hand.



### ALTERNATE for gouging LIGHT LEATHERS

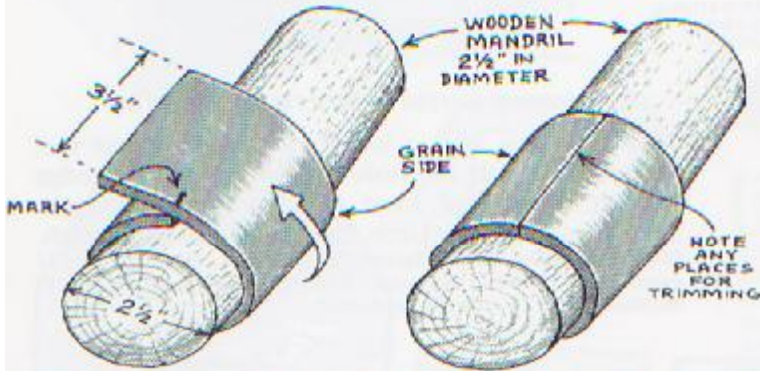
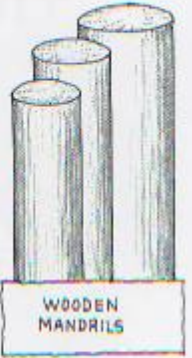


A regular Edger can be used to gouge the folds on light leather. Lay the fold line mark over the edge of your bench, hold leather tightly and run the Edger down the mark. Use a No. 3, No. 4, or No. 5 Edger. . . depending on the leather thickness. CAUTION. . . some practice should first be done on scrap leathers!

## DICE CUP - Tubular CASE



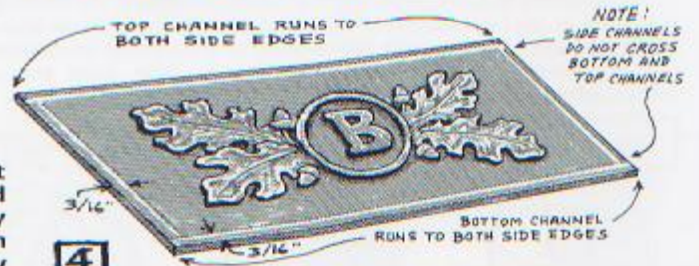
The best method of making tubular cases is to form and fit the leather over wooden mandrils. We have a large selection of mandrils of various lengths and diameters, that were turned on a wood lathe. With these, additional pieces can be added where knobs, fittings, adjustment screws, etc., protrude, such as telescopic lenses, surveying instruments, etc. See page 72 for an extreme example.



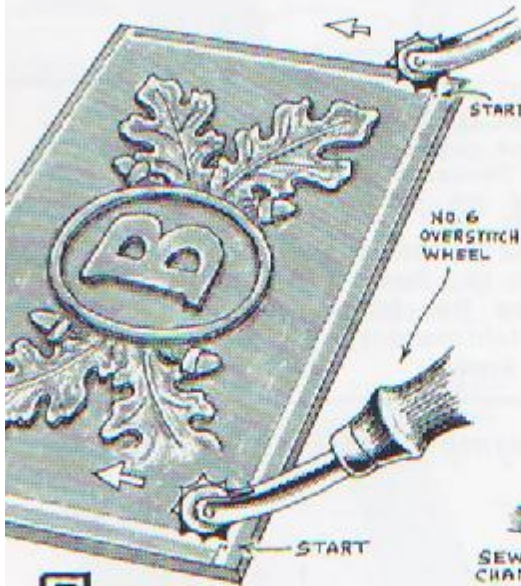
**1** Cut a strip of 9-10 oz. cowhide  $3\frac{1}{2}$ " wide and long enough to fit around a  $2\frac{1}{2}$ " mandril. Wrap tightly around the form and mark at edge of underneath leather, for a butt joint.

**2** Remove, and trim at this mark. Fold around mandril again and mark any places requiring trim. Trim until leather fits snugly around mandril and the edges butt flush together.

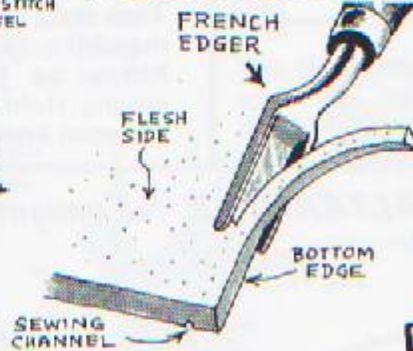
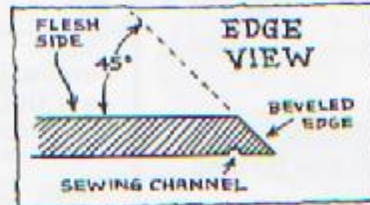
**3** If the leather is to be carved, do it at this time. Rubber cement it to cardboard, to prevent stretch, and stamp the design. Allow to dry; remove cardboard. Re-check butt joint, and top and bottom edges for square. Trim, if required.



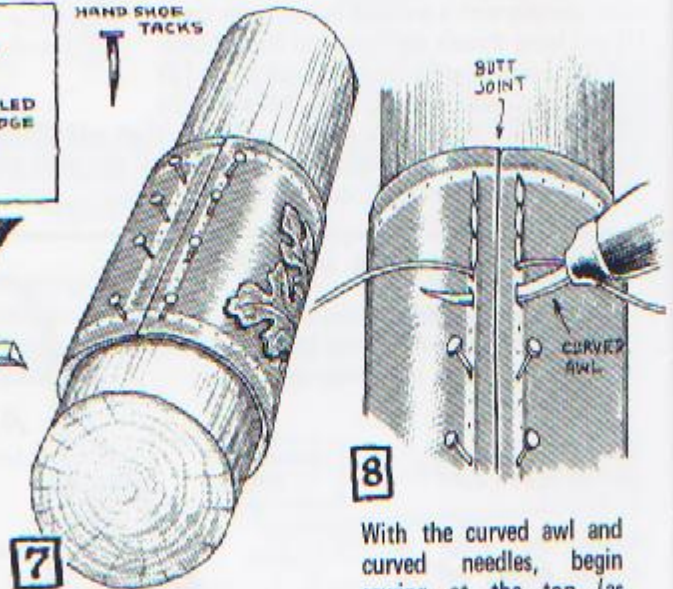
**4** After step 3, gouge sewing channel at top and bottom. Gouge side channels, but do not cross top or bottom channels. Make all gouges about  $\frac{3}{16}$ " from edges.



**5** Moisten channels and "wheel" the sides first. Begin at bottom, as shown. Wheel both sides exactly the same, so stitch marks will be opposite each other when the sides are abutted. Make adjustments at top, if necessary, to have wheel mark in top channel. Wheel top and bottom channels.



**6** Turn leather to flesh side and bevel the bottom to a 45 degree angle as shown. DO NOT BEVEL ANY OF THE OTHER EDGES!

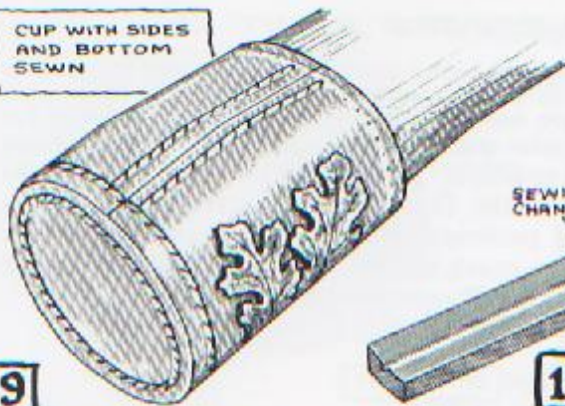


**7** Now, fit the leather back around the mandril and tack the side channels to hold the abutted edges together. The beveled bottom should be near the end of the mandril.

**8** With the curved awl and curved needles, begin sewing at the top (as shown) and sew towards the bottom. Remove the tacks as you come to them. It is important that you have a copy of: "The ART of HAND SEWING LEATHER", as we now refer you to it. . .to complete the bottom.

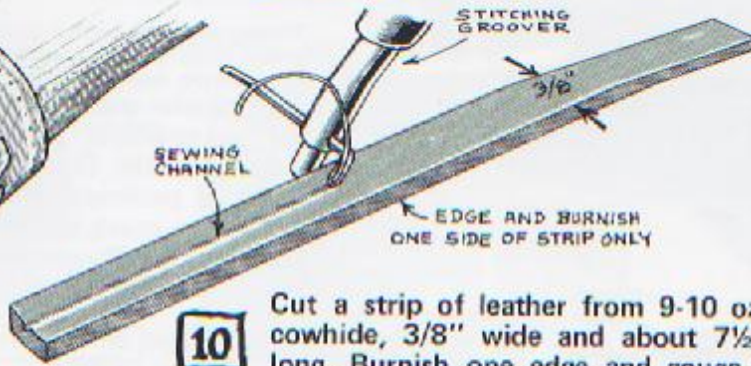
## DICE CUP - Continued

CUP WITH SIDES AND BOTTOM SEWN



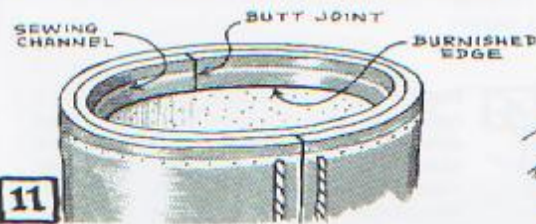
9

To bring the cup to this point, follow steps 9 through 31, pages 31 to 35. . . in "The ART of HAND SEWING LEATHER". Complete instructions show how to fit and sew in the bottom.



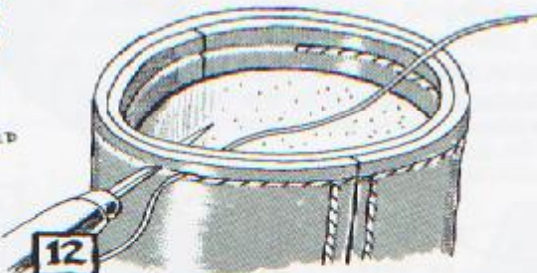
10

Cut a strip of leather from 9-10 oz. cowhide, 3/8" wide and about 7 1/2" long. Burnish one edge and gouge a sewing channel down the center, from one end to the other.



11

Pull the cup off of the wood mandril. Fit the strip (step 10) inside the top. Trim to make a tight butt joint.



12

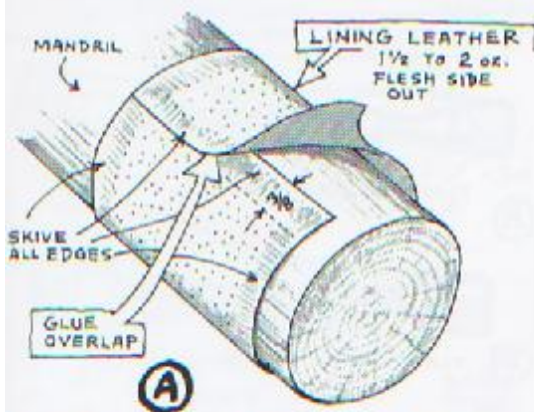
Cement the strip inside the top. NOTE: The burnished edge should be down (inside the cup) and the joint of the strip should be OPPOSITE the joint of the cup.

13 Now sew completely around the top. The stitches should come out in the channel of the inner strip. After sewing, trim any unevenness at the top. Edge inside and out. Moisten, and rub briskly to burnish well. Use a bone folder for the final burnishing. The cup is complete. Study the photos on this, and the opposite page.

## ADDING LINING TO THE DICE CUP

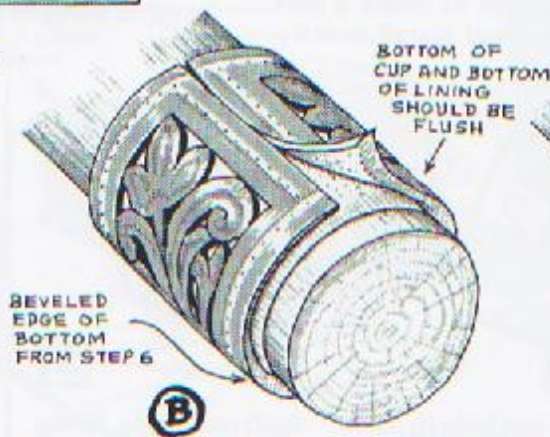


The cup (opposite page) with the letter "S" had the background of the floral design filigreed. It was backed with green felt, which required a lining leather. With the thickness of the felt and lining, the sides of the cup must be cut longer to make the butt joint (step 2). When backing a filigreed design, do not bring the material as far as the outer edges of the cup. Follow the suggestions below for lining your cup.



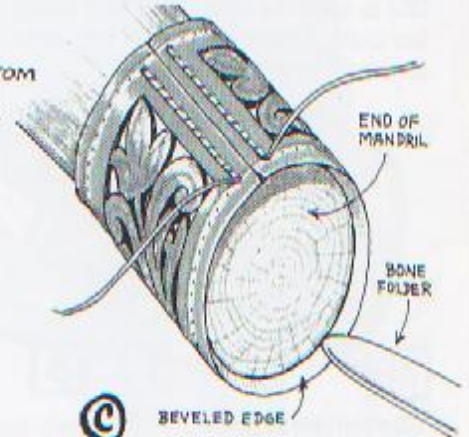
A

Cut the lining about 1/4" less than the width of the cup leather. Skive all edges on flesh side. Fit to overlap about 3/8". Fold tightly around mandril and glue to the overlap only. . . with a strong bonding cement.



B

Fit the cup leather, leave about 1/8" longer than step 2. Carve design-filigree-apply finish-glue backing to filigree. Re-fit to butt edges. Now, use rubber cement and glue to lining. Overlap of lining should be opposite the butt joint.



C

Sew down to bottom channel, slide cup down mandril to expose bottom edge. Adhere lining to bottom edge with bone folder. Complete as in (HS steps 19 through 31, pages 33 to 35).



## TELESCOPE SIGHT COVERS

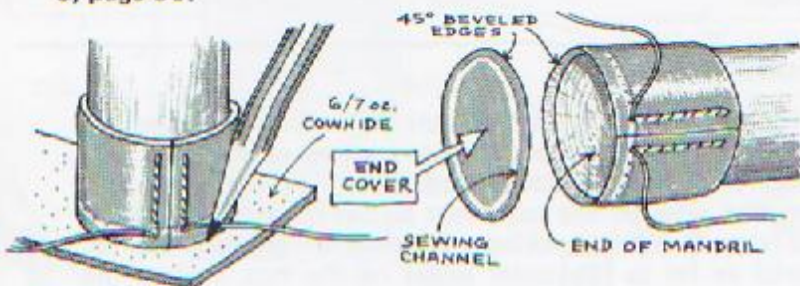
These easy-to-make covers are designed to protect your rifle scope lenses from dirt, mud, snow, etc. The same construction techniques are used as for any tubular case. These covers were made from 6-7 oz. cowhide. The connecting strap is made of 4 oz. cowhide. Elastic webbing could be used in its place, if preferred, in which case you would not require as much length. NOTE: Both ends of the scope are usually not the same diameter.



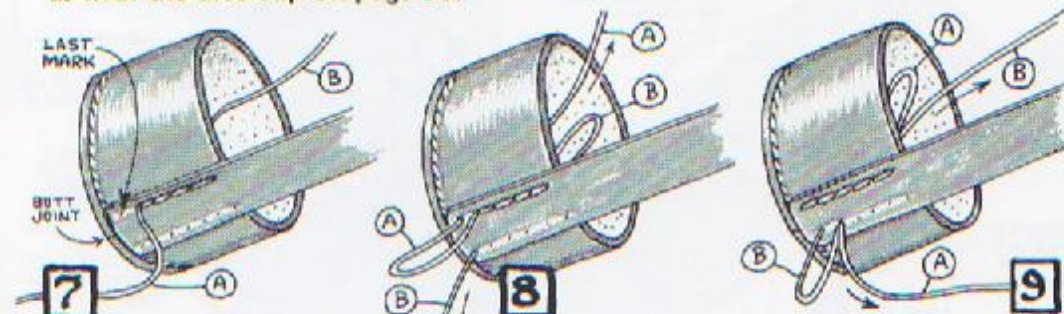
**1** To make the covers, you will need some wood, metal pipe, or other round material that is the same diameter as the scope ends. If you have a mandril smaller in diameter, you can build it up with leather of appropriate thickness. Glue it to the mandril (with a butt joint) so that the diameter is perfectly round.



**3** Gouge sewing channels at bottom and sides. "Wheel" exactly as step 5, page 90. Bevel bottom edge same as step 6, page 90.



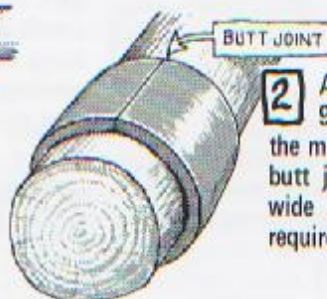
**5** Slide the cover to the mandril end and draw around it to make the end cover. Use a compass to make a perfect circle, if desired. Complete the cover and install exactly as with the dice cup on page 90.



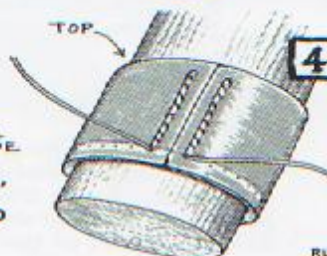
**7** Glue end over butt joint. Sew down edge next to last "wheel" mark. Pierce awl holes at slightly more angle as you near bottom, to insert the needle from inside the case.

**8** Stab last hole in each side. Thread (B) comes outside opposite channel. Thread (A) goes inside last hole in first channel. Pull threads tight.

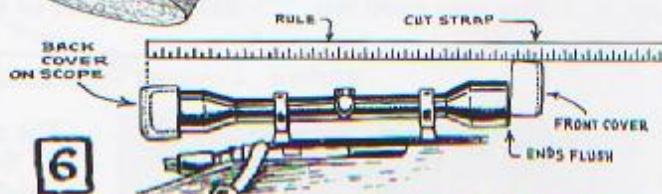
**9** Stab next hole. Bring thread (A) to outside. (B) goes through same hole to inside. Threads cross on inside. Complete sewing. Sew other end the same.



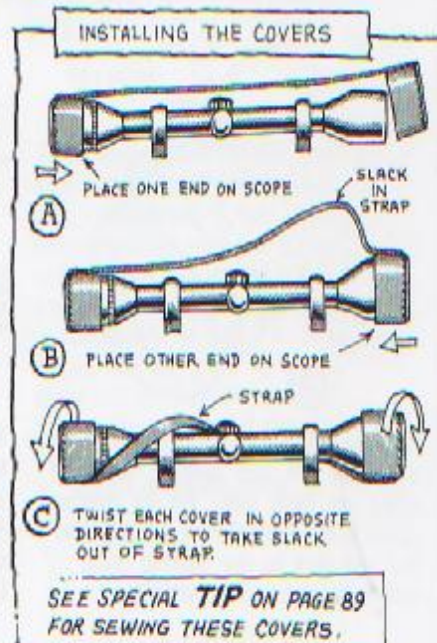
**2** As with the dice cup (page 90) fit the leather around the mandril and trim to make a butt joint. Cut the leather 1" wide for each cover. Trim as required to make a tight joint.



**4** Re-fit the leather around the mandril and tack in place. If you are using a metal mandril, glue the butt joint with strong adhesive. Sew from the top down to the bottom channel, as shown. DO NOT CUT OFF THE THREADS.



**6** Cut a strip of 4 oz. cowhide  $\frac{1}{2}$ " wide. To determine the length, place back cover on scope. Hold the front cover flush with end (above). The distance from one sewing channel to the other is how long to cut the strap. Burnish edges and gouge sewing channels (about  $\frac{7}{8}$ " long) at sides of each end.



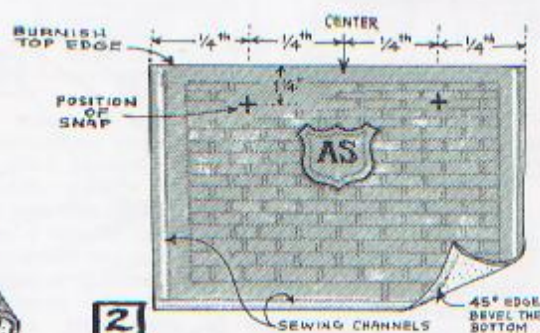
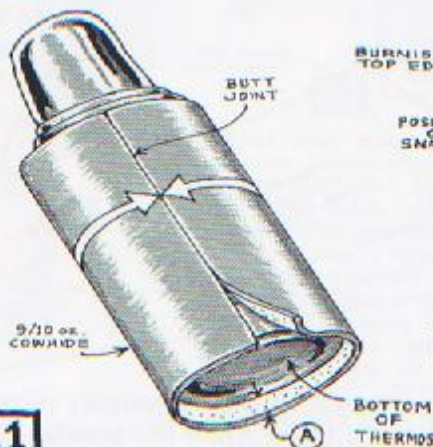
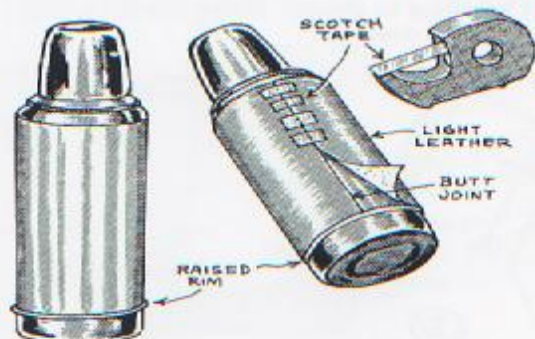
SEE SPECIAL TIP ON PAGE 89 FOR SEWING THESE COVERS.

## THERMOS BOTTLE CARRIER

We offer this case with two styles of top covers. The one at left requires more patient fitting, but is much more "customized", illustrating additional methods of construction that can be applied to similar shaped articles.



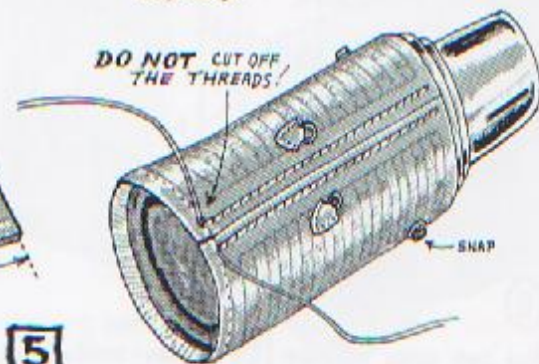
We also show two methods of handle attachment. The handle is an optional feature that can be omitted, if desired. The handles shown are of rugged construction and illustrate professional methods of attaching handles to tubular cases. The handle (page 98) can be sewn at the bottom, as illustrated. For those unaccustomed to hand sewing, it may prove a bit difficult, so we have included the optional style shown at left. These cases, as constructed, will practically last a lifetime. Cut the case from 9-10 oz. cowhide. These cases are unlined. BASKET stamped design was with Craftool No. X534. Antique finish was applied only to the stamped areas.



A mandril is not required, as we will make the case directly on the thermos. Some bottles have a raised rim at the bottom. This thickness must be equaled (or made slightly larger) by covering the bottle with appropriate thickness of leather or other material. Wrap it tightly around the bottle. Terminate with a butt joint and tape it together as shown above. This insures the bottom of your case to be not larger than the top.

**1** As with the Dice Cup, page 90, cut the leather to fit snugly around the bottle; trim for a butt joint. Allow enough overhang at bottom (A) for the thickness of the bottom leather; 9-10 oz. cowhide.

**2** If the case is to be stamped, rubber cement it to cardboard to prevent stretch; stamp the design. Allow room at borders for sewing. When thoroughly dry, remove the cardboard. Re-fit around the bottle; trim if required. Apply antique finish. Mark positions of snaps. Gouge sewing channels at bottom and sides. Bevel bottom edge for the miter joint, on flesh side. Burnish the top edge.

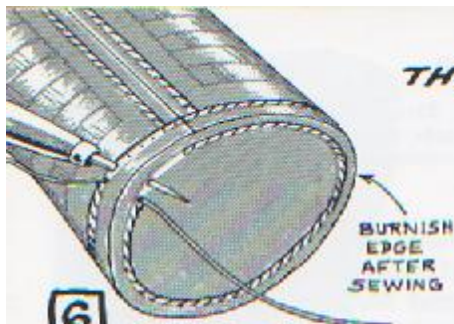


**3** Make two 1/2" dee assemblies for the handle. Burnish edges. Gouge sewing channels.

**4** Install the snaps. Set the dee down from the top, and at angle, as shown. Set in about 1/4" away from sewing channel. Sew in place. Repeat the opposite side. "Wheel" the channels (see step 5, page 90).

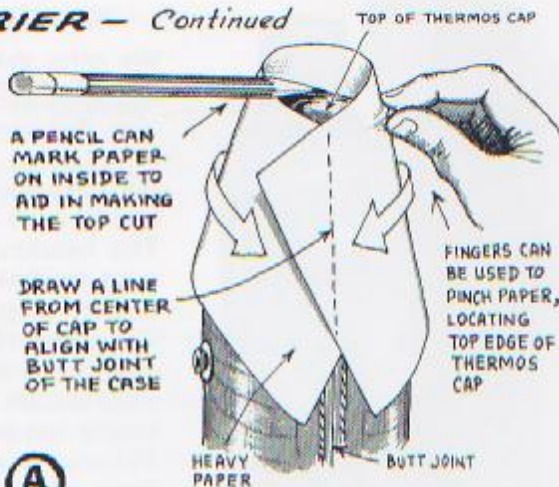
**5** Apply strong bonding cement to the edges, to be sewn, fold leather back around the bottle and adhere the edges by pressing firmly together. Sew the butt joint down to the bottom channel, with curved awl and needles, as previously instructed. (continued)

# THERMOS BOTTLE CARRIER - Continued



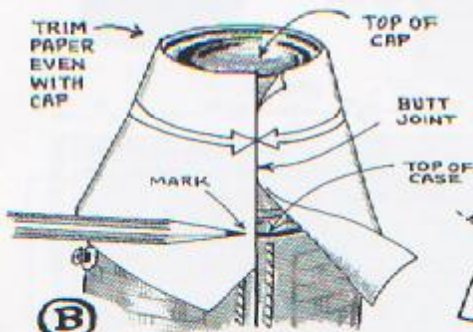
**6**

Cut out the bottom and sew in place. Follow steps 9 through 31, pages 31 to 35 in the book: "The ART of HAND SEWING LEATHER". Assembly continued with step 7, page 99.



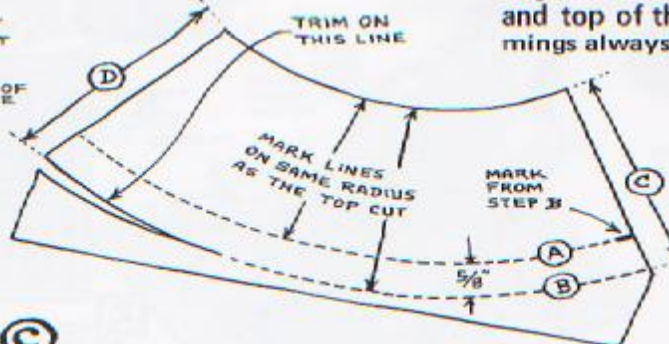
**A**

Cut a strip of paper 7" wide and 14" long, to begin making the pattern. Wrap around the cap and top of thermos as shown. Make the first trimmings always a bit oversize.



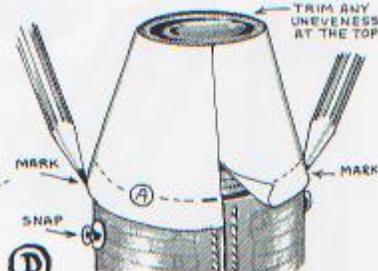
**B**

Trim the paper (from step A) and re-fit until you have a butt joint in alignment with the butt joint of the case. Mark the paper at the top edge of the leather case.



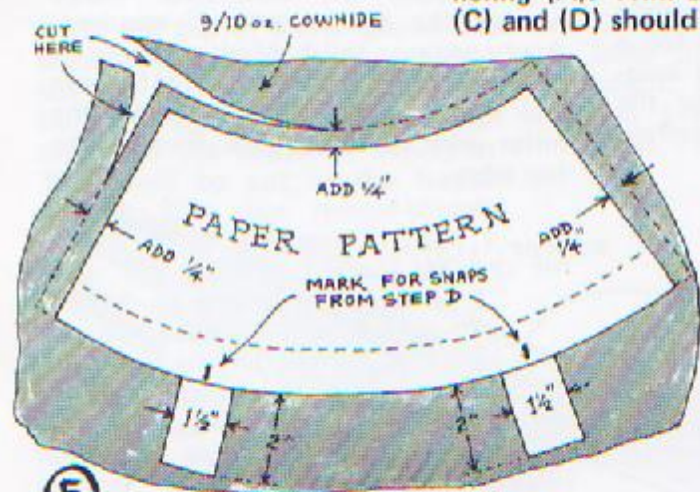
**C**

Lay paper on bench. It should roughly resemble the above sketch. Draw a line (A) parallel to the top, with the same radius. Draw a line (B) paralleling (A). Trim on this line. Distance between (C) and (D) should be equal.



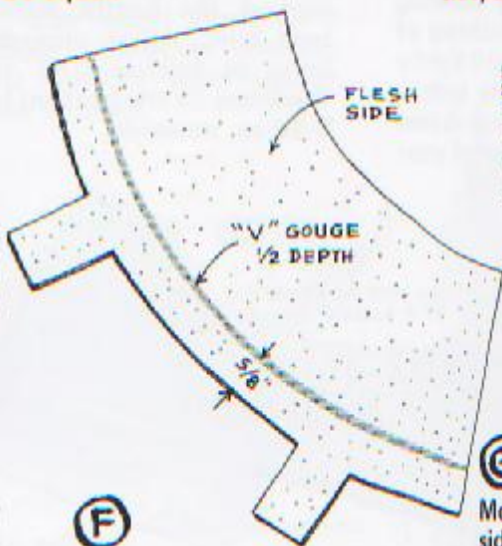
**D**

Re-fit paper to project and check to see if line (A) is at the top edge of the case all around, by feel and sight. Now mark the paper, at each side, directly above the snaps.



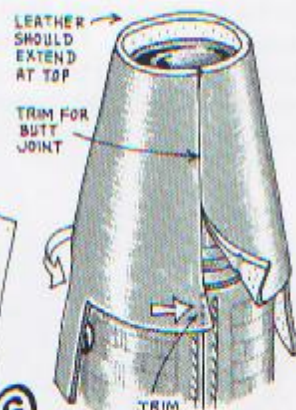
**E**

Cut two strips of paper 1 1/2" wide and long enough to extend 2" beyond pattern edge. Tape to pattern, underneath, with marks in the center (see above). These are for the snap tabs to hold the top to the case. They are made extra wide to trim after fitting to the case, as leather takes up more than paper. Trace the pattern to the leather. Add (at least) 1/4" to top and at each side.



**F**

Cut out the leather. Turn flesh side up and gouge line (A) from paper pattern. Carefully parallel the radius.

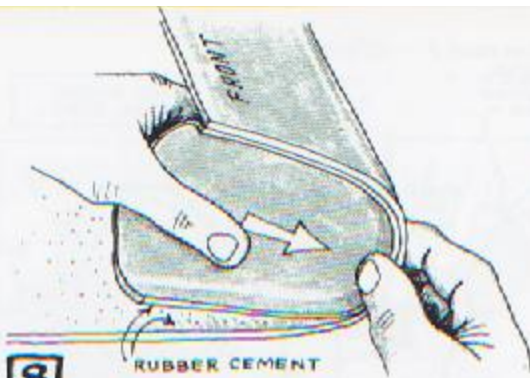


**G**

Moisten the gouge well on flesh side. Fit around case with gouge at top edge of case. Trim for the butt joint, then force lower part around case. You'll note this needs trimming (see arrow) to be in alignment with the butt joint of the case.

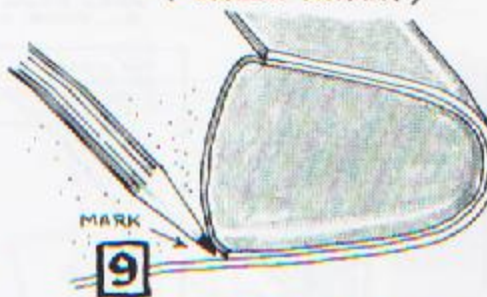


## FISHING REEL CASE - Continued ( FRESH WATER )



**8**

Apply rubber cement to flesh side edges of the case (from front edge to about the top fold) and to sides and bottom edge of one gusset. Begin adhering at the front, and work around the case. Push down with left hand and pinch with fingers to fit leather around bottom.



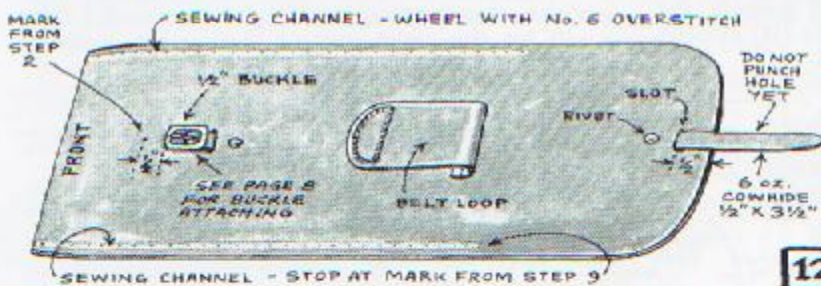
**9**

With gusset cemented in place, put a mark at top, on flesh side of the case leather. This is to determine how far to gouge the sewing channels on the case leather.



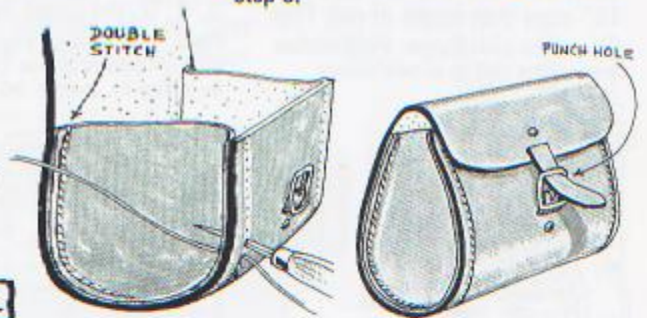
**10**

Fold the case together and make a light mark on the back side about where you wish the top of the belt loop to be. Now, unfold case and peel the gusset loose. Be sure you have used rubber cement as suggested in step 8.



**11**

Prepare the case leather as shown above. Attach buckle edge about  $\frac{1}{2}$ " down from mark placed in step 2. Be sure to center the buckle, belt loop, and flap strap. Burnish all edges.



**12**

Cement the gussets in place. Gouge light sewing channel in gussets, and sew. Double stitch over gusset ends at the back side of the case.

**13** Place the reel inside and pull the strap through the buckle to locate position of the tongue hole.

## FISHING REEL CASE - Salt Water

This reel is similar to the one on the opposite page, though much larger and heavier. For this reason we have altered the case a bit for durability, and added the shoulder strap dees, if the belt carrier is not desirable.

The entire case is made from 8-9 oz. cowhide. The gussets are also of this same leather, and doubled to give the case a rigid form. This same type of construction could be used for the smaller spinning reel case.

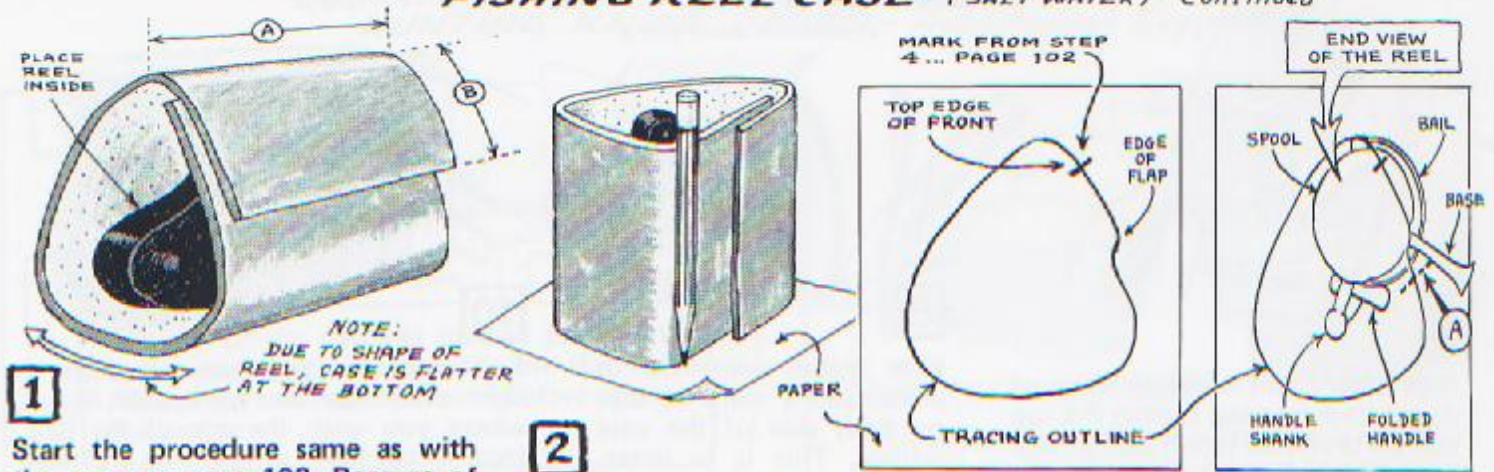
The photo, at right, shows the tuck-catch type closure. If these are difficult to obtain, you can simply add the buckle and billet strap as with the other case. The snap type closure is not recommended, as there is no definite bearing surface (within) to push against.

OPTIONAL BELT LOOP...  
SET HIGH FOR BETTER  
CARRYING BALANCE.



INSTRUCTIONS BEGIN ON THE FOLLOWING PAGE

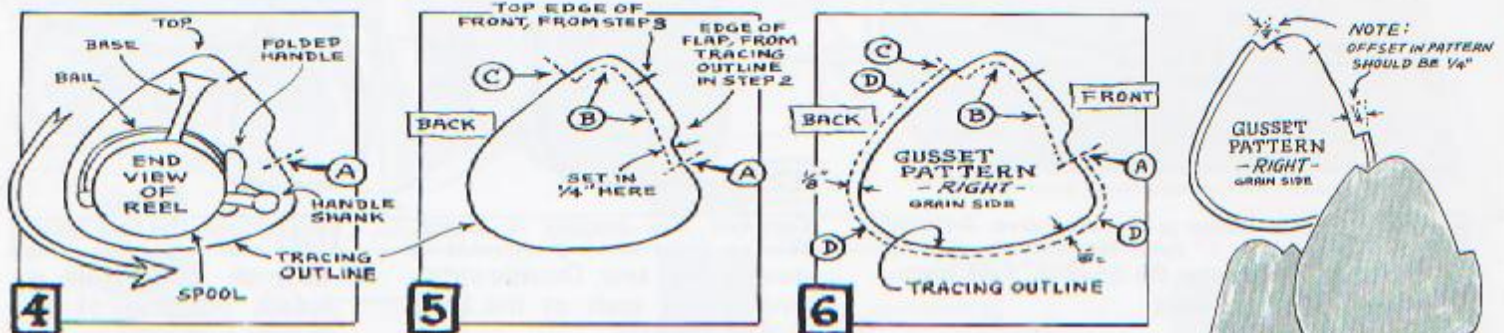
## FISHING REEL CASE (SALT WATER) - Continued



**1** Start the procedure same as with the case on page 102. Because of gusset style, and leather thickness, width of case (A) should be about  $1\frac{1}{4}$ " more than length of reel. Flap (B) can be a bit longer. Fold leather around the reel as shown above.

**2** We arrive at the tracing outline (for gusset) by following steps 3, 4, 5, on page 102. Since this case will have rigid gussets, do not place marks (A)-(B) shown in step 5, page 102.

**3** Place the reel, spool down, on the pattern as shown, viewing it from the end. At the widest part (excluding base) mark across the tracing outline at arrow (A). This will be the open end of the gusset, insuring clearance for the reel to enter the case.



Now, turn the reel (as above) as if it were inside of the case. Still viewing from the end, check to see if all of the reel is within the tracing outline. If not, extend any lines to include all parts of the reel, including the base, which should be at the top.

On the pattern, draw a line (B) inside of the flap (from point A) and under the top, and start down back. End at (C) which is opposite the mark for the front edge. Line (B) should be at least  $1/8$ " inside of the tracing outline.

Now, parallel a line (D)  $1/8$ " outside the tracing outline. Cut out the pattern; Lines A-B-C-D. This is your gusset pattern. Since it is an odd shape, you will need a LEFT and RIGHT. Mark your pattern as suggested above.

**7** Cut out the pattern. See "note" above. Cut a LEFT and RIGHT gusset from 8-9 oz. cowhide.

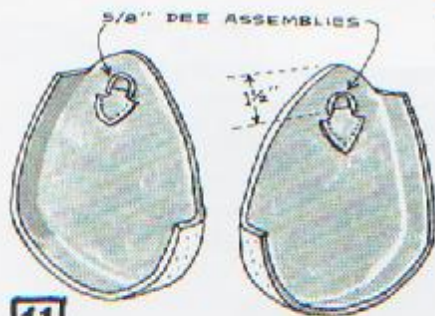


**8** Turn the leathers flesh side up and make deep gouges (for folds)  $1/4$ " from the edges, as indicated on sketches above.

**9** Moisten fold areas well, and fold up with bone folder as in (A). Stand on edge and crease sharply as in example (B).

**10** Now, make the lining pieces for the gussets by tracing closely around each, as shown above. Cut out one lining for each gusset.

# FISHING REEL CASE (SALT WATER) - Continued



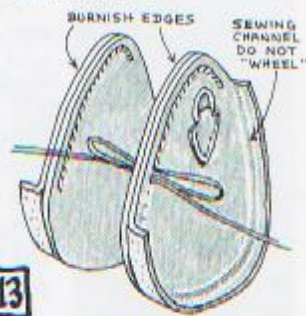
**11**

If you wish to use a shoulder strap, make two 5/8" dee assemblies. Sew to gussets in center, as shown above.



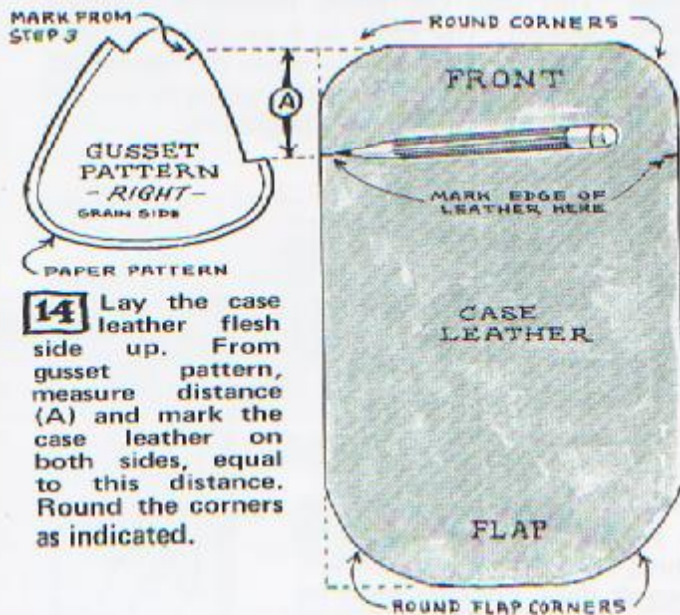
**12**

Cement the linings to the gussets. Gouge sewing channels on gusset and lining at the "open" edge, as shown.

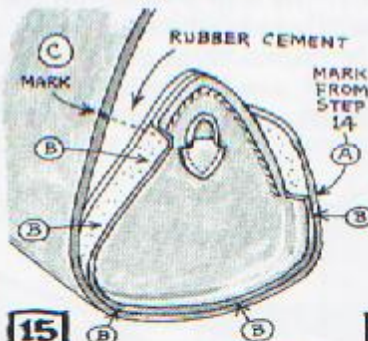


**13**

Sew the parts together. Burnish the sewn edges. Gouge sewing channels in turned edge of gussets.

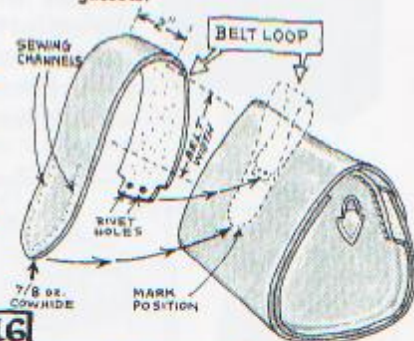


**14** Lay the case leather flesh side up. From gusset pattern, measure distance (A) and mark the case leather on both sides, equal to this distance. Round the corners as indicated.



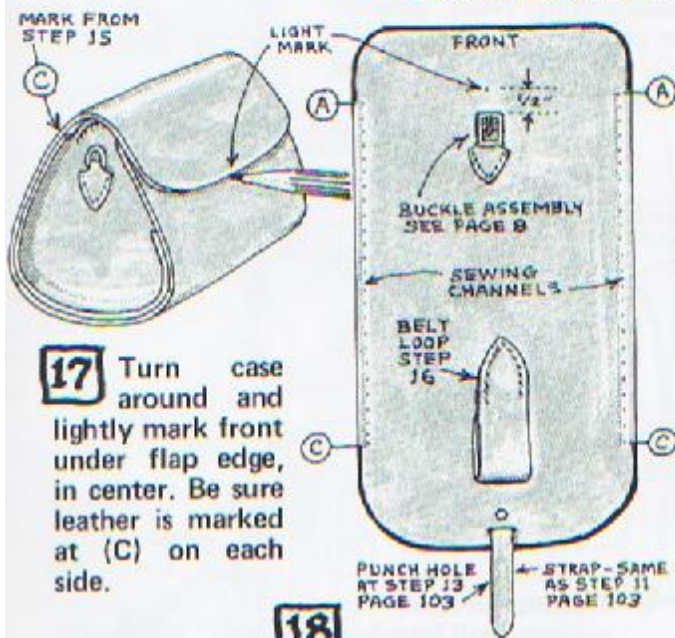
**15**

Now rubber cement, "spot" cement (arrows B) the gussets in place. Begin at mark (A) from step 14. When adhered, make a mark (C) where end of gusset touches the case. Mark each side.



**16**

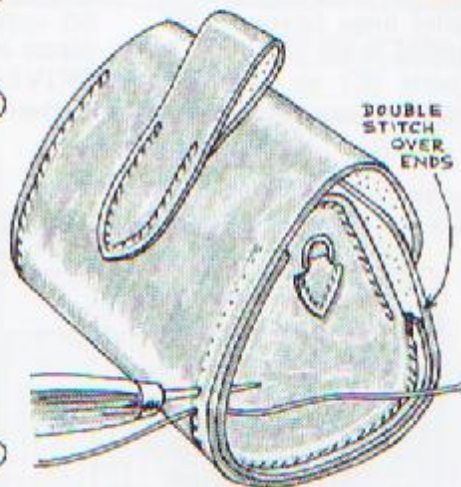
If you wish a belt loop (as shown) cut as illustrated. Note one end is notched at sides and rivet holes punched. This end is riveted to case. The other end covers this (as indicated) and sews around the edge. This makes a strong attachment, and all of the strain is not on the thread. Cut it long enough to accommodate the belt width desired. Mark position of belt loop on back of case.



**17** Turn case around and lightly mark front under flap edge, in center. Be sure leather is marked at (C) on each side.

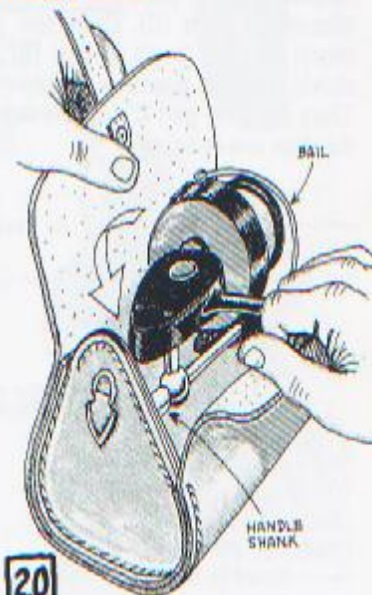
**18**

Remove gussets and lay case grain side up. Install buckle, belt loop, and strap to flap. Burnish flap and front edges. Gouge sewing channels between (A) and (C). . . from step 15. . . and "wheel".



**19**

Cement the gussets back in the case, carefully aligning edges. Sew together. Burnish the edges thoroughly. Place reel inside case and buckle strap to locate hole (as in step 13, page 103).



**20**

To insert the reel, grasp the base and put handle shank in first. Push them down and roll the reel so that the base is straight up.

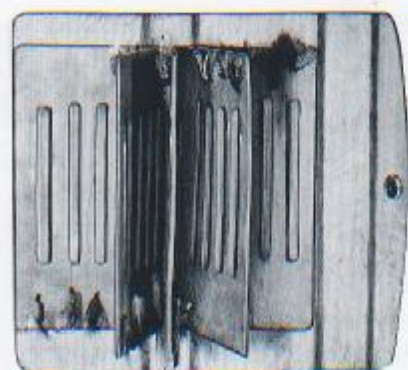


## FISHING "FLY" CASE

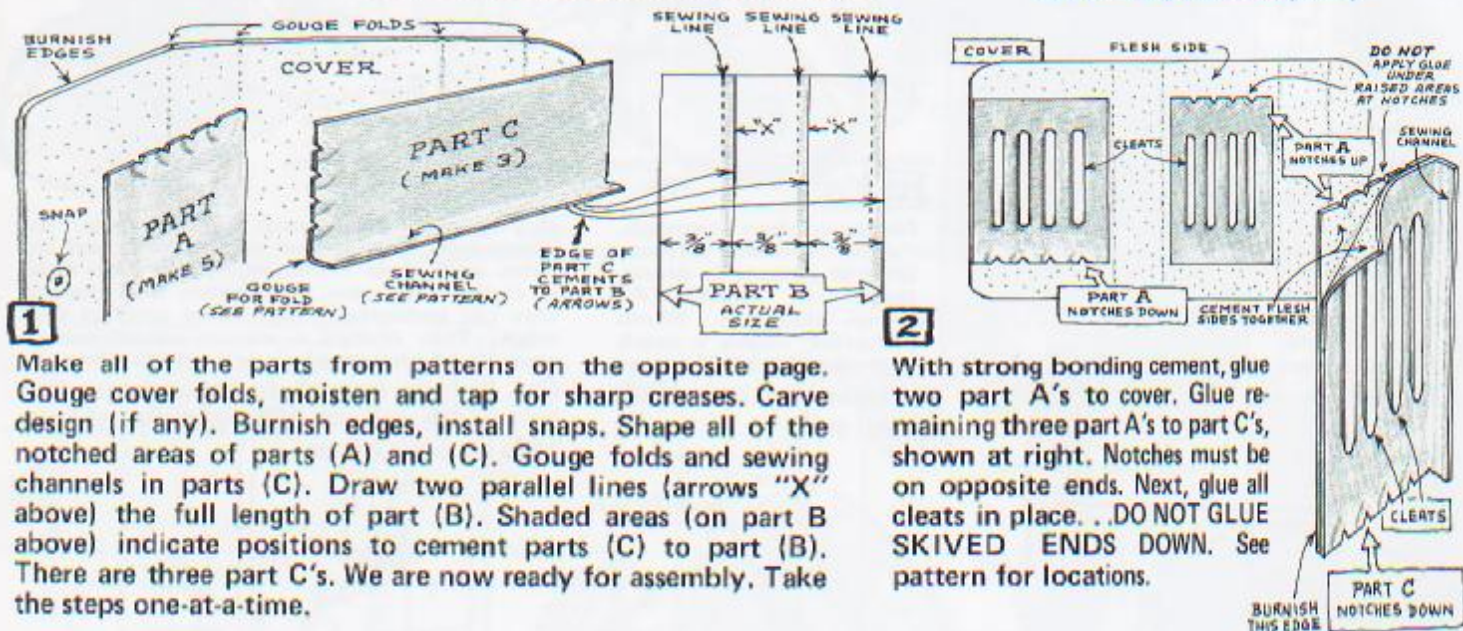
For those trout fishermen loving to troll flies behind a small, slow moving boat, this case should prove most useful.

Often times, fishing new lakes requires trying a multitude of different flies until you find one that the wary trout will hit. After constantly re-tying flies to the leader, straining the eye-balls, and fumbling in a bouncing boat... we came up with this solution: the "FLY" case.

It is a small leather book with leather pages that will hold up to 32 different flies. Each fly is tied to about 48" of leader with a loop on the end. The hook (on fly) fits into a notch on the page edge and the leader winds around a leather cleat. You can quickly thumb through the book and select a different fly, unwind the leader, and just as quickly have it attached to your line.

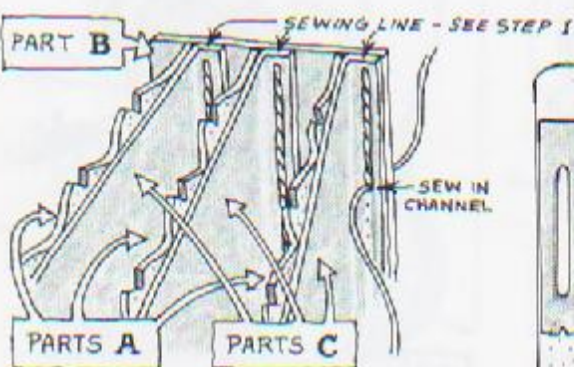


This case can easily be made larger or smaller. The cover is 6 oz. cowhide. The pages; 4 oz. Carefully study the condensed instructions. Study the patterns on the opposite page, before beginning.

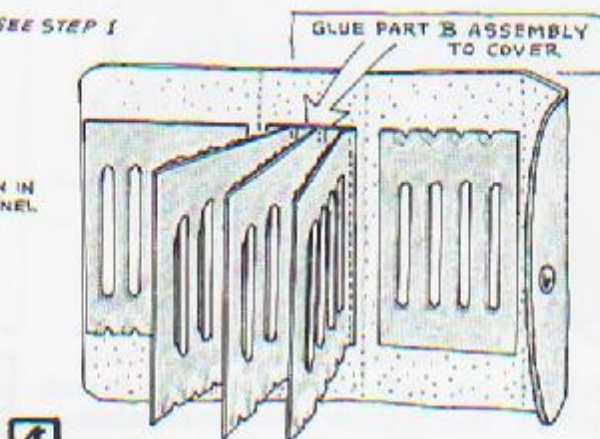


1 Make all of the parts from patterns on the opposite page. Gouge cover folds, moisten and tap for sharp creases. Carve design (if any). Burnish edges, install snaps. Shape all of the notched areas of parts (A) and (C). Gouge folds and sewing channels in parts (C). Draw two parallel lines (arrows "X" above) the full length of part (B). Shaded areas (on part B above) indicate positions to cement parts (C) to part (B). There are three part C's. We are now ready for assembly. Take the steps one-at-a-time.

2 With strong bonding cement, glue two part A's to cover. Glue remaining three part A's to part C's, shown at right. Notches must be on opposite ends. Next, glue all cleats in place. . . DO NOT GLUE SKIVED ENDS DOWN. See pattern for locations.



3 Now glue the three part C's to part B. See step 1 for positions. Sew them to part B. In actuality, they should be glued and sewn one at a time, for easier installation.



4 After completing step 3, glue the assembly to cover with strong adhesive. The notches between each page should be at opposite ends. Study the illustrations.



5 Hook fly in notch. Wrap leader around cleat. Pull last wrap tight to wedge leader under the skived edge to hold in place.

# FISHING "FLY" CASE - Continued

CLEAT CUT FROM 6/7oz. COWHIDE

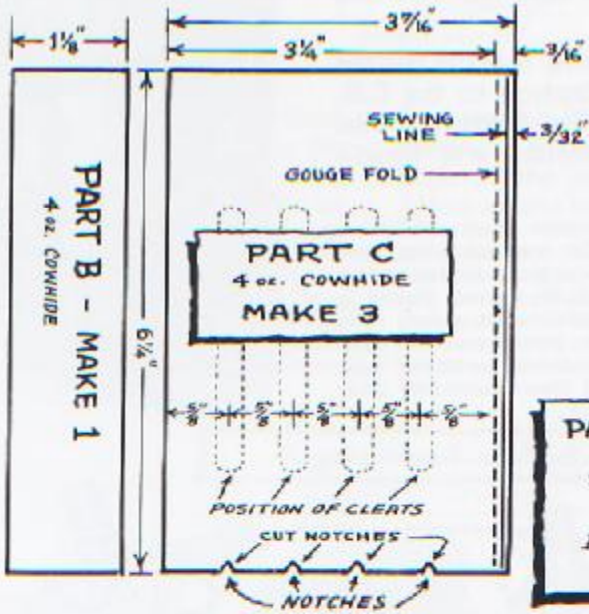
**CLEAT - ACTUAL SIZE - MAKE 32**



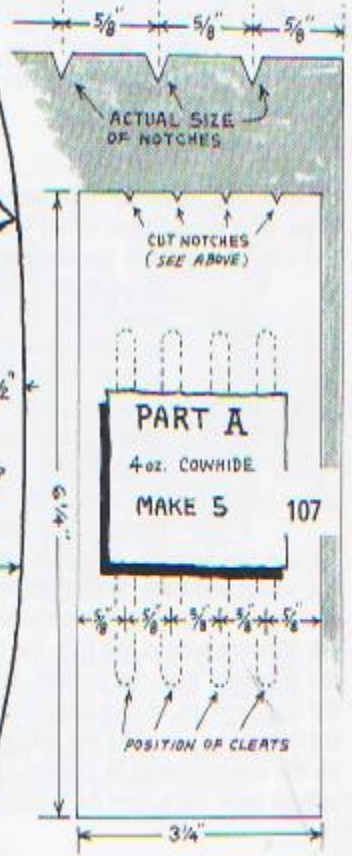
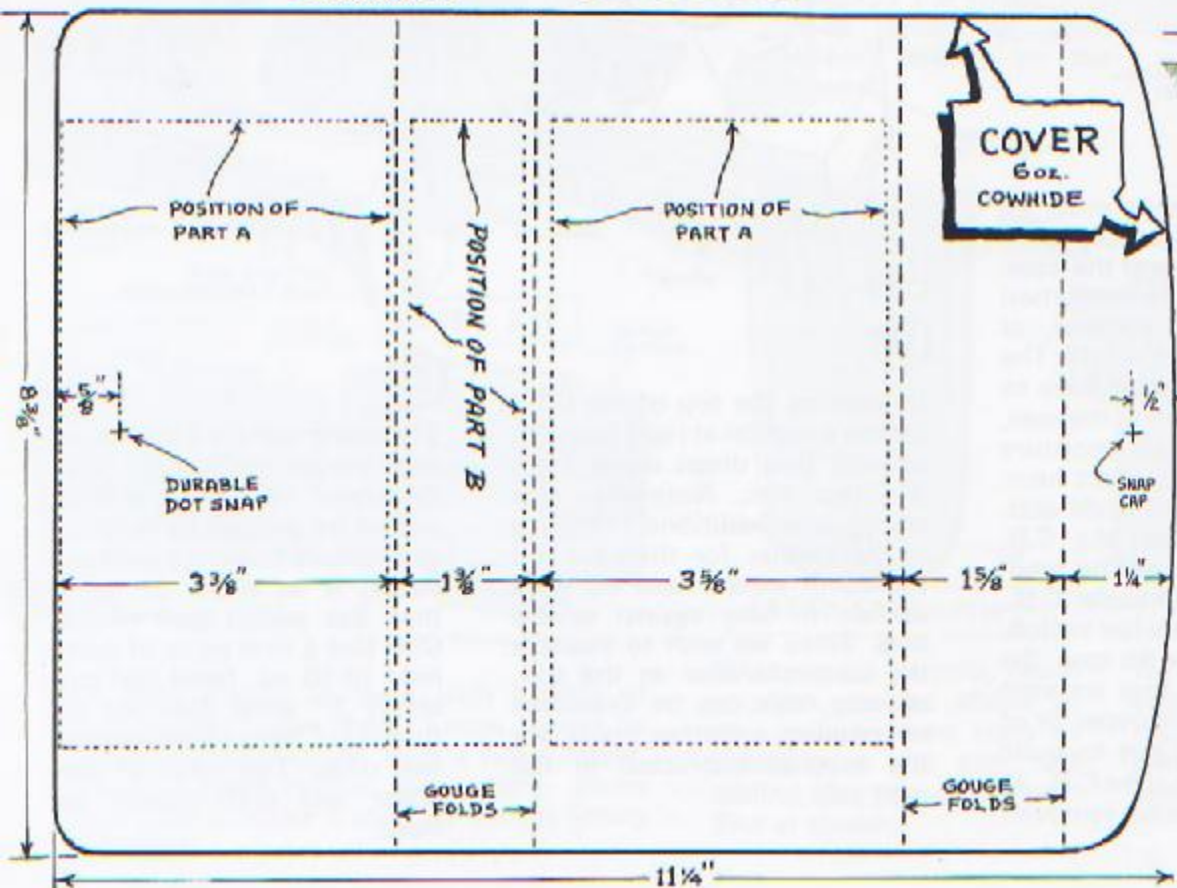
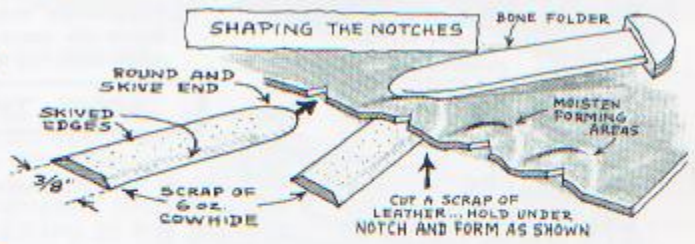
CARVING DESIGN FOR TROUT SHOWN ON CASE



PHOTO PATTERN



PATTERNS ARE SHOWN 1/2 ACTUAL SIZE



THIS MODEL:  
TRC-150 REALISTIC  
CITIZENS BAND  
TRANSCIVER

## CITIZENS BAND Transceiver CASE



This case will present new challenges and added techniques applied in making cases. We offer this case with the many optional features that can be omitted, if so desired. The sides have shoulder strap dee attachments. In addition, the "mike" control switch has a leather cover to help prevent dust and moisture penetration.

The opposite side, at bottom, features a rigid cover for the hi/low power switch, charge, etc., receptacles. . .also for dust and moisture protection. The back of the case has an expandible handle as well as the addition of a belt loop.

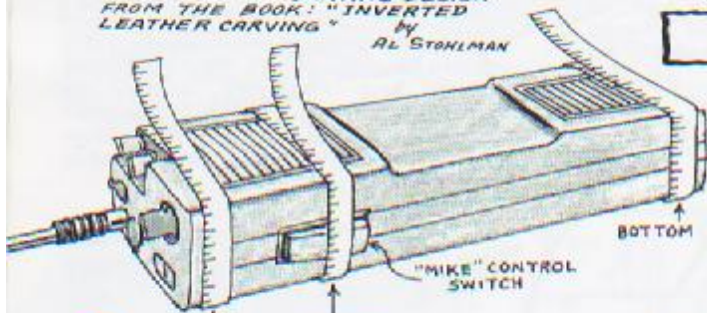
By adding all of these extra features to the case, it gives greater protection to the C.B. without interfering with its functions. The original case (usually plastic) and handle strap can be discarded.

This case could be made over a wood form, but due to the many knobs, receptacles, and unusual shape, it is more practical to form the leather directly over the C.B. Since there is such a variety of C.B. shapes and sizes, it is impossible to give specific patterns. We will try, with the model shown here, to show you how to overcome some of the obstacles that you will no doubt encounter.



CARVING DESIGN  
FROM THE BOOK: "INVERTED  
LEATHER CARVING"  
BY  
AL STOHLMAN

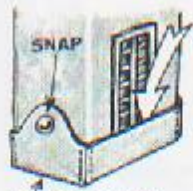
### SOME THOUGHTS.... Before Beginning!



**A**

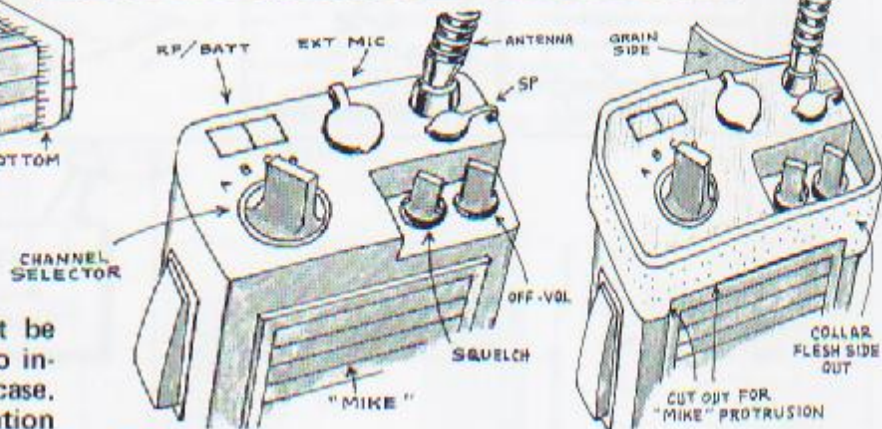
As with any case, the top opening must be larger than the bottom, unless you wish to insert the C.B. in from the bottom of the case.

However, bottom installation would not be practical, as shown in sketch at left. The bottom cover would have to be on the outside of the case, allowing dirt and moisture (large arrow) to collect here.



BOTTOM COVER

The snap closure could accidentally trip, and the C.B. fall out the bottom. A buckle could be used, but would add bulk. With this particular C.B., you would have no access to the hi/low switch, etc. Measure around the C.B. On this case, the top is smaller than the bottom. Since we want the top cover to fit very snug (for proper fit of cut-outs over controls) we will have to build up the circumference at the top of the C.B., to at least equal the widest part, insuring removal.



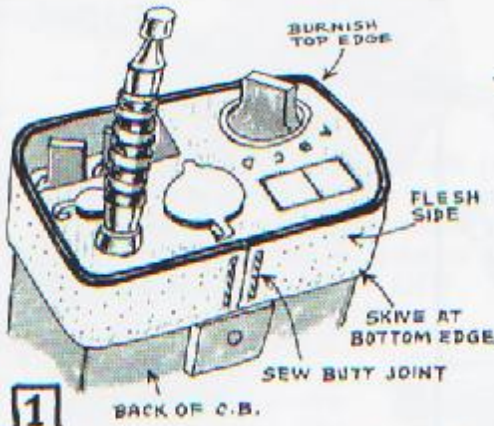
**B**

In viewing the top of the C.B., we see a section at right (squelch off-vol) that drops down from the top rim. Normally, this would cause additional problems as the leather for the case and top cover would have no solid surface to bear against at this area. Since we wish to increase the circumference at the top, anyway, this can be overcome by making a leather collar for the top, as instructed in the next step.

**C**

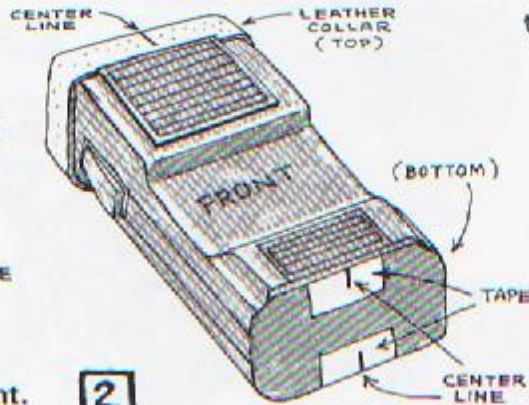
The collar gives a continuous edge around the top rim. The thickness of this leather should be enough so that the total circumference, including collar, is as much or more than the widest part of the C.B. Use a firm piece of cowhide (9-10 oz. here) and cut about 1" wide. Cut out to fit around any protrusions on the sides. Top edge of the collar and C.B. should be flush.

## C. B. CASE - Continued



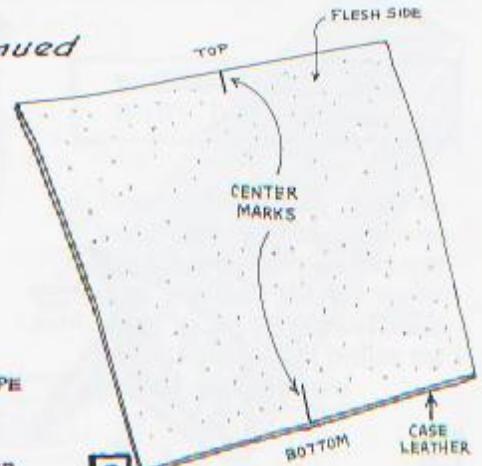
1

Fit the collar leather for a butt joint. Skive about  $\frac{1}{2}$  thickness off the bottom edge; burnish the top. Moisten, fit tightly around top and sew it right on the C.B. Be sure to have the joint in the center of the back. Grain side should be against the C.B.



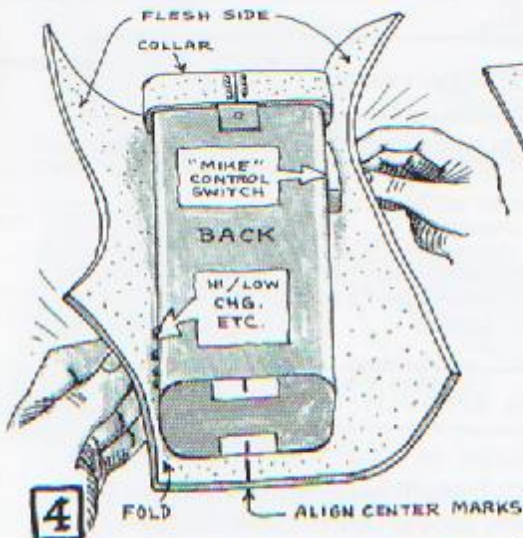
2

Adhere two pieces of masking tape to the bottom, and place a mark in the CENTER (of C.B.) at each edge as shown. Place a center mark on the collar, at top.



3

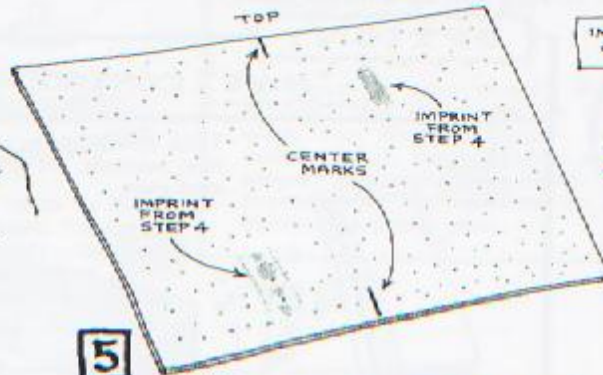
Cut the case leather from 8-9 oz. cowhide. Cut it about  $\frac{1}{8}$ " wider (circumference) than will go around the C.B., and  $\frac{1}{8}$ " longer. Draw center marks as shown above.



4

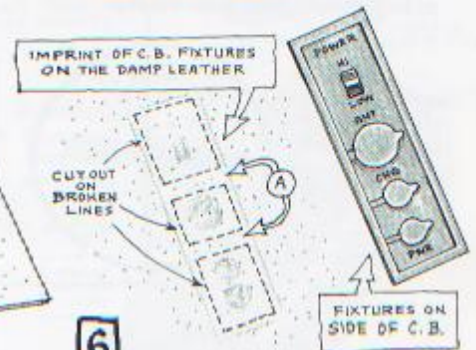
Submerge the case leather in water for 5 or 10 seconds. Place on bench flesh side up. Position C.B. (front down) and align center marks at top and bottom. Place C.B. near top edge of leather.

Now fold sides up, one at a time (not as shown) to locate control switch and the other fixtures on the opposite side. Hold the C.B. firmly in place with one hand . . . do not let it move. . . and fold side up and press the damp leather firmly against the protrusions. CAUTION. . . DO NOT make the side folds tight against the C.B. at the bottom and middle areas. Allow a little room so the case will not be a tight fit. Repeat the procedure with the other side. The top edge, however, should fit snug against the C.B. at all corner folds.



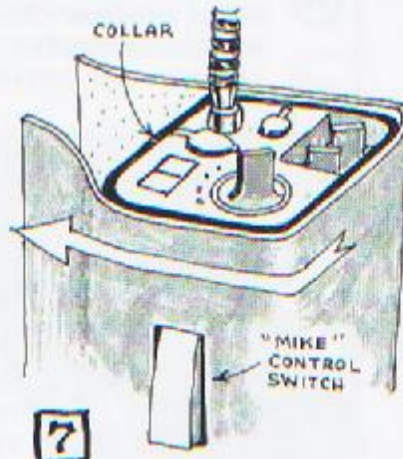
5

Unfold the leather. Remove C.B. and note the impressions from step 4.



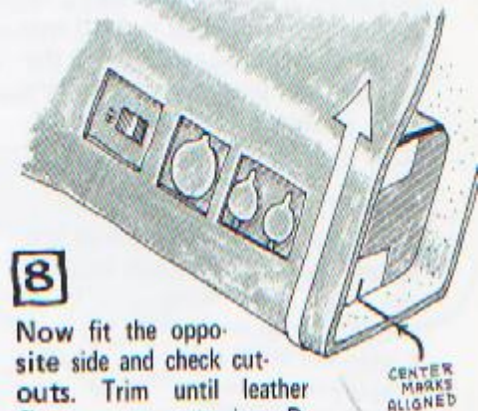
6

Make cut-outs at imprinted areas. Note above. . . strips (A) should not be cut out. This "ties" leather opening together. Otherwise, a long rectangular opening would spread out when leather was folded. Make the cuts undersize (as shown). . . final trimming comes later.



7

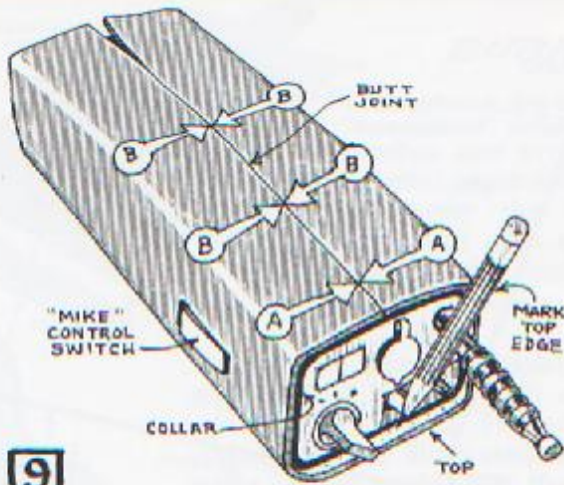
Continue fitting and trimming control switch slot until it fits over the switch. Hold leather tight against C.B. at front, on center mark. Do not worry if slot is not square with the switch, at this time.



8

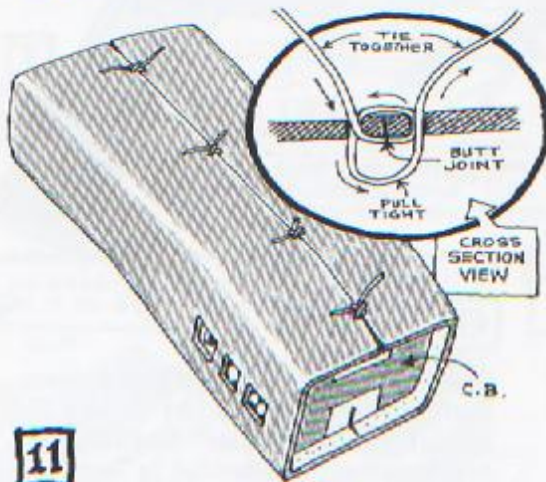
Now fit the opposite side and check cut-outs. Trim until leather fits over any protrusions. Do not be concerned with "squaring" cuts with fixtures at this time. Be sure center marks at bottom are aligned. (continued)

## C.B. CASE - Continued



**9**

Now fold leather back around the C.B. and trim both sides to make a butt joint down center of the back. Trim the joint (arrows A) to fit snug at top. The fit, at arrows (B), should not be tight around the C.B. Mark any excess to be trimmed, flush with the top.



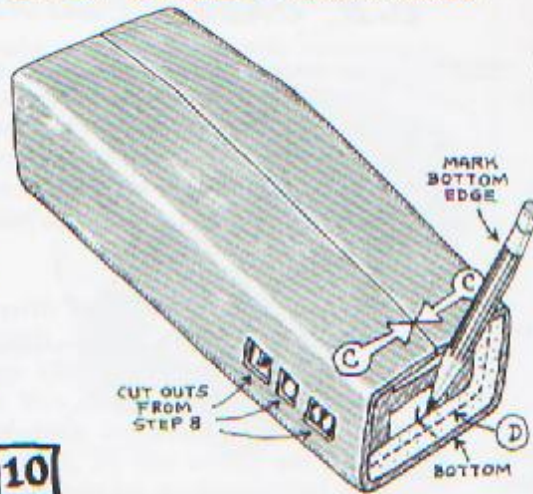
**11**

When fitted, remove leather, trim top and bottom (steps 9 and 10). Stab awl holes 1/8" from edges and tie case together with sewing thread, in about four places, as shown above. Insert C.B. back into case (top edges flush). If any moisture is left in the leather, shape the side folds and allow the leather to dry while proceeding with the next steps. (Case assembly continues on page 114.)

### THE OPTIONS:

You should now decide which of the options you wish to include on your case.

- "MIKE" CONTROL SWITCH COVER
- SHOULDER STRAP DEES
- HAND STRAP - ON BACK
- BELT LOOP - ON BACK
- RIGID FIXTURE COVER - ON SIDE



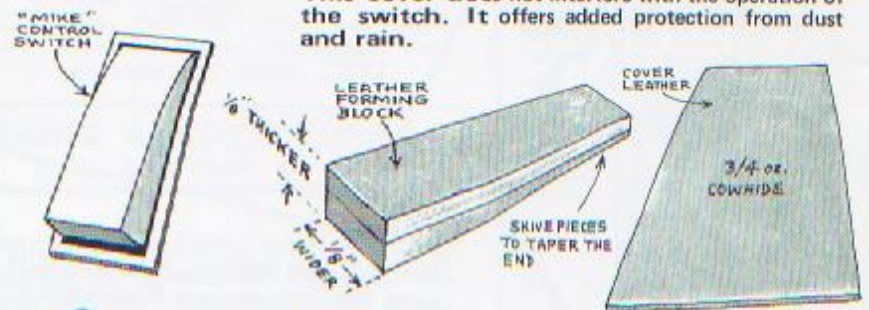
**10**

At the bottom (arrows C) fit the joint snug, but not tight. Mark around bottom of C.B. Dotted line (D) is the trim line. Distance from C.B. is thickness of bottom leather to be used. This will be a miter joint.

### OPTION:

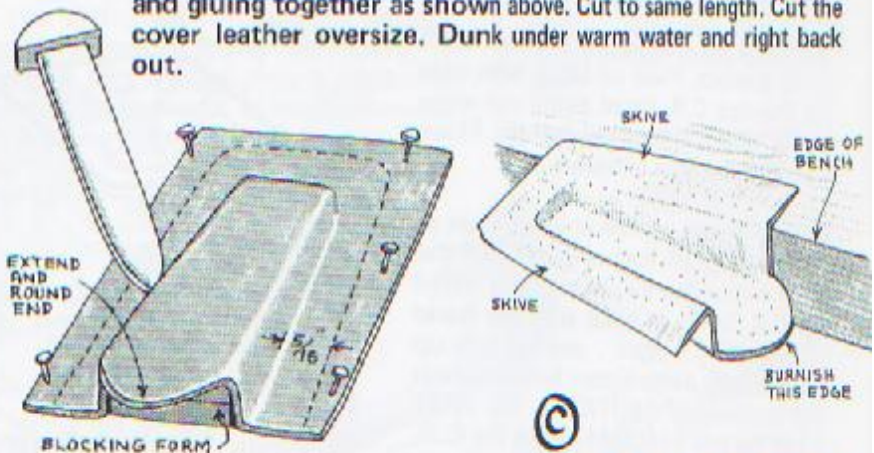
#### "MIKE" CONTROL SWITCH COVER (MICROPHONE)

This cover does not interfere with the operation of the switch. It offers added protection from dust and rain.



**A**

Make a leather "blocking" form from scrap leather by skiving and gluing together as shown above. Cut to same length. Cut the cover leather oversize. Dunk under warm water and right back out.



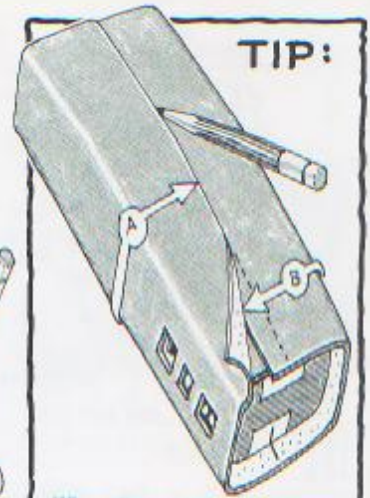
**B**

Shape over the blocking form. Trim sides even with form, but extend the end as shown, about 1/2", and round or point the end. Tack edges; allow to dry. Then trim all around the raised portion (on dotted line) as indicated above.

**C**

Turn flesh side up and lay on edge of bench to skive all around the edges as indicated. Skive to a feather edge. Burnish the front edge. Assembly on page 116, step 27.

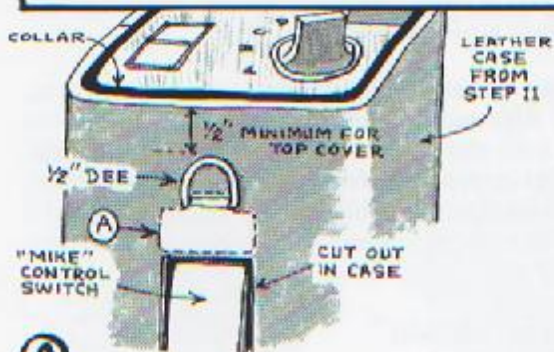
**TIP:**



When fitting long butt joints, trim one side (A) on center line first. Then fold side (B) over C.B.; fold side (A) on top. Mark side (B) with pencil, and trim. Additional trimming may be required.

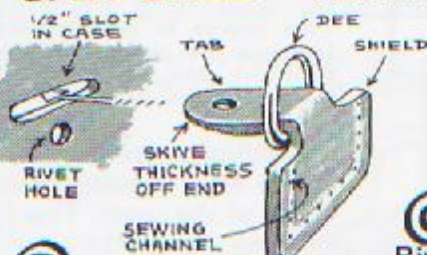


**OPTION:  
SHOULDER STRAP DEES**

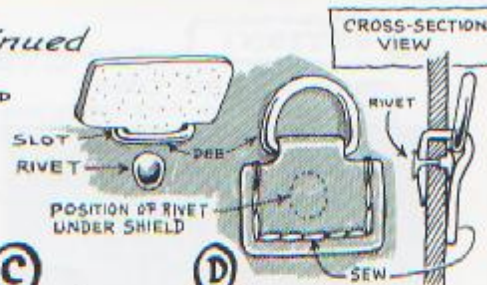


**(A)** The high position of the "mike" control switch, on this model, limits the size of the attaching shield, indicated by dotted line (A). The top of the dee should not be closer than 1/2" from top of case. The case will carry better if the dee could be placed lower.

**C. B. CASE - Continued**



**(B)** Since attaching space is limited, use this method of attaching dees. Punch a slot in the case, directly over the horizontal bar of the dee. The leather tab is pushed through this slot, folded down, and riveted to the case. The shield is then sewn to the case.



**(C)** Rivet close to slot, when the shield must be cut short.

**(D)** Fold shield down and sew. Double stitch over the ends.

**(E)** Determine the size of your dee assemblies before making. Two are required. See page 114, step 13 for attaching procedure.



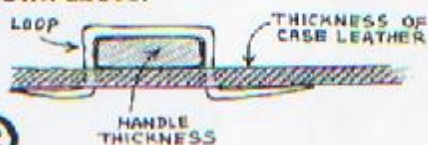
**OPTION:  
HAND STRAP on back of case**



**(A)** Cut the handle from firm, heavy leather (11-12 oz.). If heavy leather is not available, glue or sew two pieces of 6 oz. cowhide together. Skive ends as shown; burnish handle sides.



**(B)** You will also need two loops. Cut them 1/2" wide, from 6 oz. cowhide. Skive ends and leave them long, as shown above.



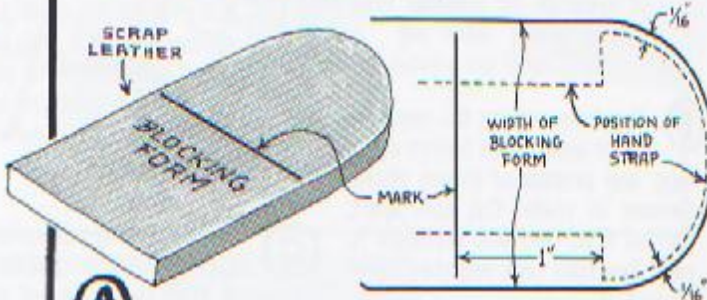
**(C)** Moisten the loop leather and shape them to scrap leather of handle thickness and width (see page 5). Hand strap assembly is on page 115.

**NOTE:**  
BELT LOOP OPTION IS INCLUDED WITH HAND STRAP ASSEMBLY... PAGE 115.

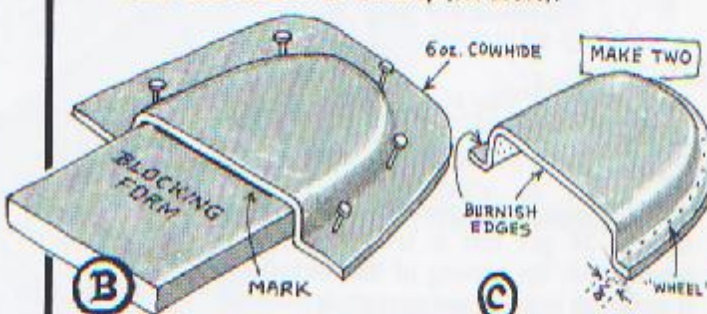
**OPTION:  
END COVERS for Hand Strap**



The purpose of the end covers, besides better appearance is to prevent the hand strap ends from snagging on clothing, etc., and possibly putting excessive strain on the supporting loops.



**(A)** To shape the end covers, cut a piece of scrap the same thickness as the hand strap and make a blocking form as shown. Place a mark, on the form, 1" out from the notch on the scrap (see above).



**(B)** Wet a piece of 6 oz. leather and shape over the form, with bone folder. Tack in place and allow to dry.

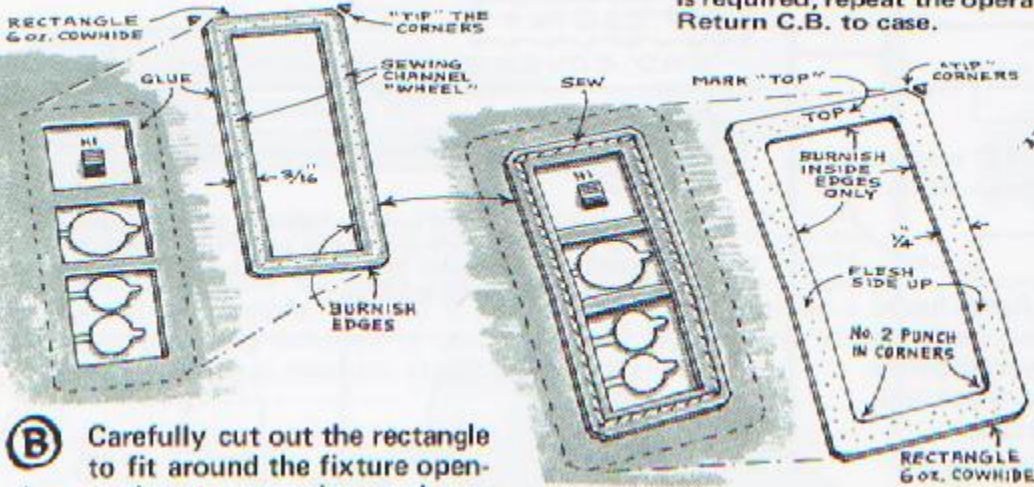
**(C)** Trim excess and burnish edges. Assembly on page 115.

## OPTION 3

### RIGID FIXTURE COVER for HI/LOW Switch-Receptacles



NOTE THE SLIGHT CURVE IN THE OPEN COVER. SEE STEP E BELOW.



**B** Carefully cut out the rectangle to fit around the fixture openings, and prepare as shown above. Cement in place. Cut case apart, remove C.B., and sew rectangle to case. Sew case back together, again insert C.B.

**C** With sewing completed (step B) cut another rectangle to fit around the outside of the previous one. Prepare as shown. Mark the edge that will be the top.



**E** With tin snips, cut a piece of sheet metal (approx. 24 ga.) that is 1/16" larger (all around) than the opening of the rectangle. It cannot be larger, as sewing room is needed outside the edge of the metal. Place on cover and mark all around metal, to establish position. If the case is slightly curved, bend the metal to fit this curve.

**F** Glue the metal to the cover with strong adhesive. Be sure it is in proper position.

**G** Cut lining from 1 1/2-2 oz. leather. Cut oversize at width, but undersize at length. Skive length ends only. Cement to cover and metal as shown above.

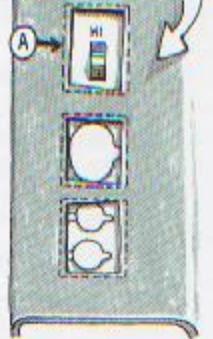
## C.B. CASE - Continued

This cover is re-enforced with a piece of galvanized sheet metal (approx. 24 ga.) sandwiched between the lining and the cover leather. Without this stiffening, the cover would serve little value, as the leather would bow out allowing entry of dirt, rain, etc.

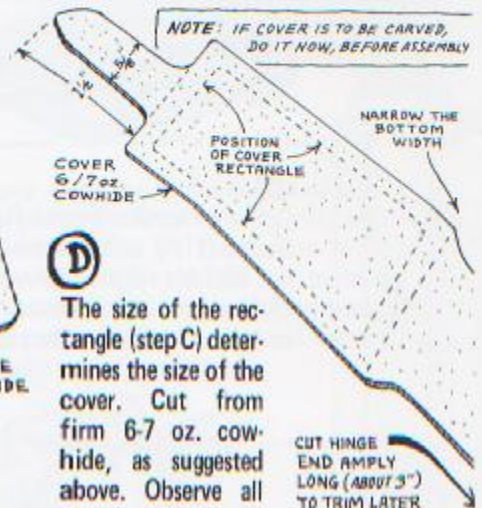
In addition, a rectangular piece of leather is sewn around the fixtures, to the case, forming a ridge. Another rectangular piece is sewn to the inside of the cover. This fits over the outside of the piece on the case, forming a seal. The rigid cover prevents it from bowing or stretching, thereby maintaining the seal around the fixtures. It is hinged at the bottom. The bottom part of the hinge is sewn to the bottom leather.

### STEP 8 - PAGE 109

**A** Before making the cover, we will have to "square-up" the openings cut in step 8, page 109. Pick up the case, as completed in step 11, page 110, and mark the trim lines (A) as suggested at right. Remove the leather from the C.B., make the necessary trimming, and again sew the leather back on the C.B. as in step 11, page 110. If any more trimming is required, repeat the operation as above. Return C.B. to case.



NOTE: IF COVER IS TO BE CARVED, DO IT NOW, BEFORE ASSEMBLY



**D** The size of the rectangle (step C) determines the size of the cover. Cut from firm 6-7 oz. cowhide, as suggested above. Observe all notations on the sketch.

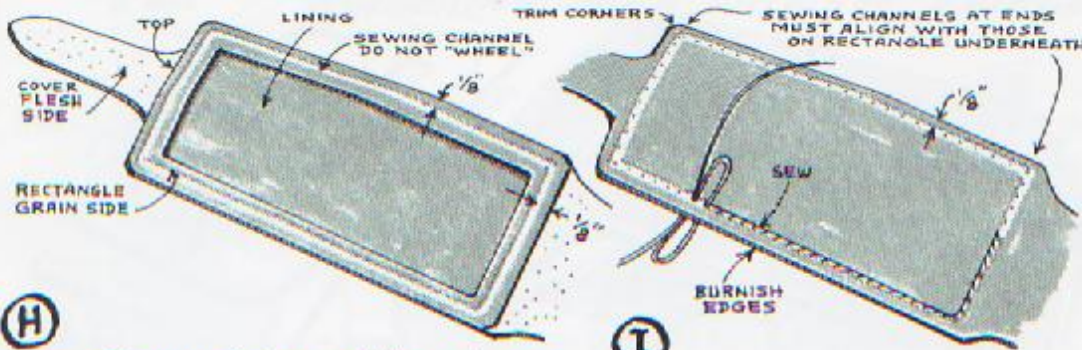
CUT HINGE END AMPLY LONG (ABOUT 3") TO TRIM LATER

LINING LEATHER GRAIN SIDE UP

METAL

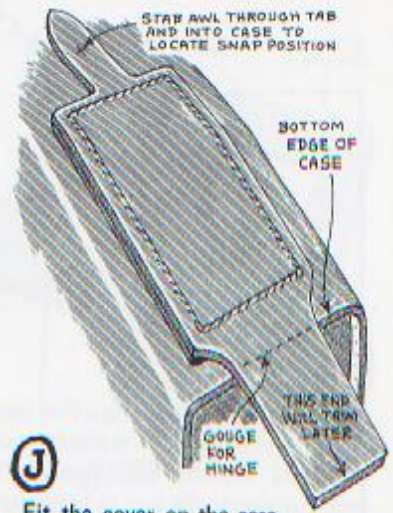
END POSITION OF RECTANGLE

## C.B. CASE - Continued



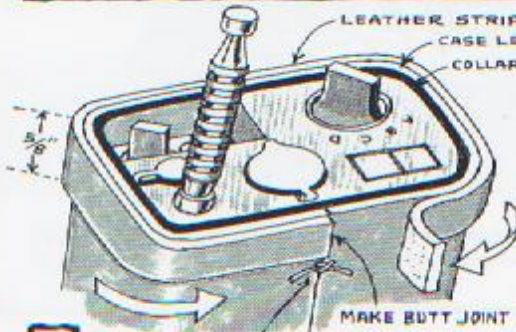
**H** Trim off excess lining, at sides, and carefully cement rectangle in place. Align side edges. Be sure the "top" (step C, page 112) is in correct position. Gouge sewing channel all around.

**I** Re-fit to project (step C) to insure fit. Make necessary adjustments, if any. Turn to grain side, gouge sewing channels; "wheel". Sew. Burnish all outside edges of the cover.

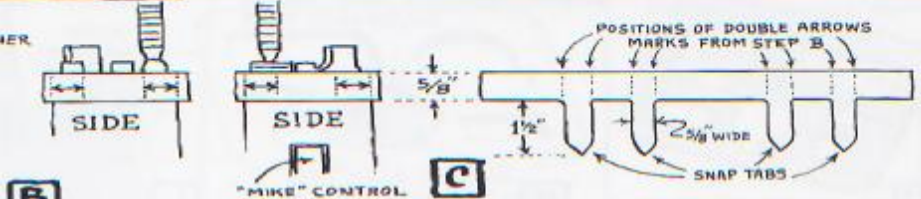


**J** Fit the cover on the case. Mark for snaps. Mark bottom edge on flesh side and gouge for the hinge. Assembly steps begin on page 118.

### MAKING the TOP COVER

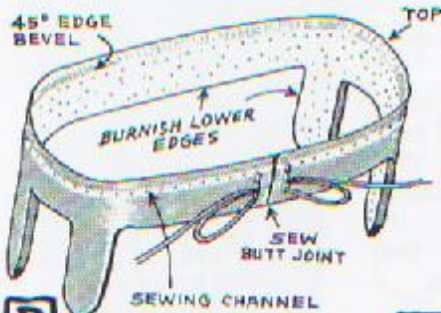


**A** Tie... FROM STEP J1, PAGE 110  
Cut a strip of leather 5/8" wide from 7/8 oz. cowhide. Fold tightly around top of case and trim for a butt joint.

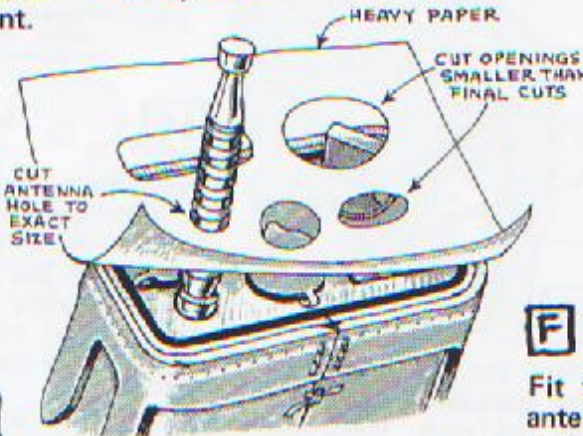


**B** Holding the leather in this position, turn to the sides and make marks (double arrows) 5/8" apart. The outside mark should align with the outside edge of the case. This will indicate positions of snap tabs.

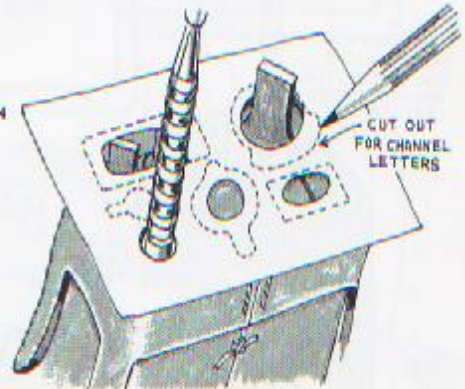
**C** Using the strip, from step B, cut a piece of leather (7-8 oz.) with the tabs (as above). Use the strip to locate the positions of these tabs. Fit this leather around the case, tightly, and insure the butt joint. If tabs are not in correct position (step B) then cut another piece.



**D** Prepare the piece as shown above. Bevel top for miter joint. Gouge sewing channels, and "wheel". Sew butt joint together. See page 89 to aid in sewing this piece. Fit the piece into the case, with all top edges flush, as shown in step E.

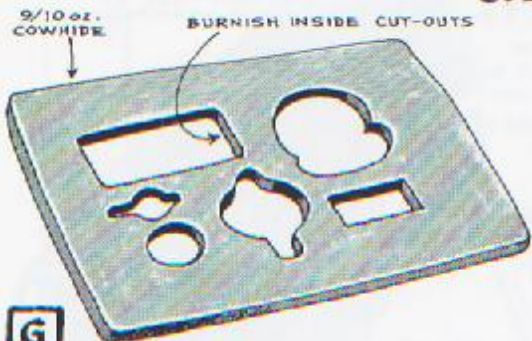


**E** Make the top pattern, for the cut-outs with a piece of paper. Punch a hole for the antenna to the exact size. Measure out from the antenna and cut small openings for the other controls in their approximate locations. Do not try to cut them to the exact size, as it is practically impossible to make all cuts accurately, the first time.



**F** Fit the paper down on the top, over the antenna. Mark opening corrections and expansions with pencil (dotted lines above). Remove the paper and trim. Re-fit, and make further corrections. If openings have been cut too large, tape a piece of paper to the area and re-cut. Several fittings will be required until you have the cut-outs made properly. Persist, until you are satisfied with all openings. (continued)

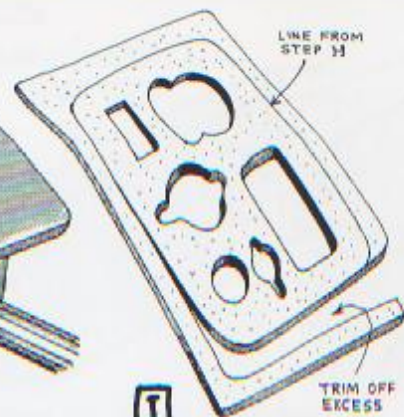
## C.B. CASE - Continued



**G** Now transfer the pattern to a firm piece of 9-10 oz. cowhide. If available, make all round cut-outs with punches of proper diameter. Be sure to have ample leather to fully cover the top of the case. Re-check fit before burnishing inside edges.



**H** Fit the leather back in position and mark (flesh side) all around the outside of the case. Care must be used so as not to have "false" marks. . .press snugly against top edge of case. . .do not let cut-out section move.



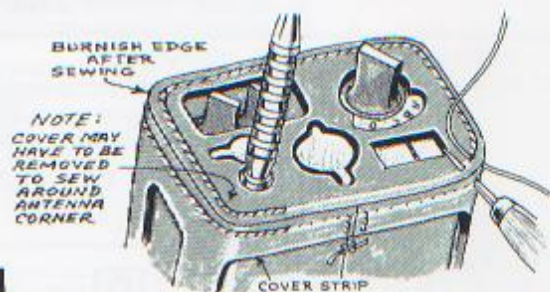
**I** Remove leather. Turn flesh side up and trim off the excess, cutting on the line from step H.



**J** Gouge a sewing channel all around the edge; grain side. Do not "wheel".

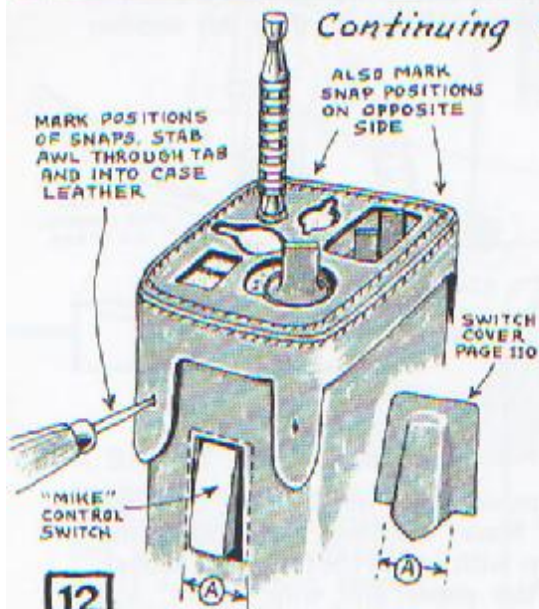


**K** Turn to flesh side and bevel the edge for a miter joint.

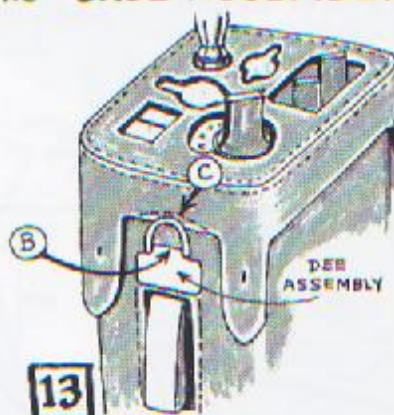


**L** Apply cement to beveled edge of cover strip and top. Fit in place, carefully adhere all edges. Sew the top, while on the case.

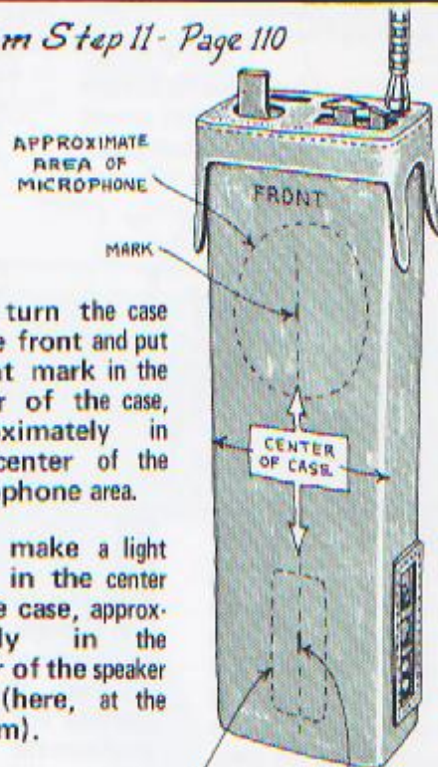
## Continuing the CASE ASSEMBLY - from Step 11 - Page 110



**12** (continued from step 11, page 110.) With top cover on case, mark snap positions. Measure width (arrows A) of switch cover and mark this dimension on case leather. "Square" the opening with pencil marks (dotted lines), cutting will be done at step 23 on page 116.



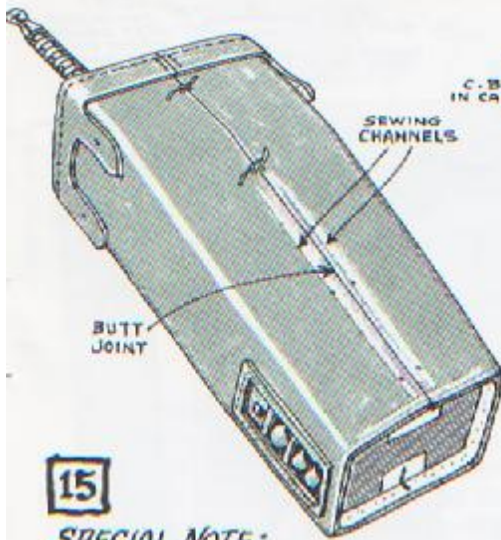
**13** Place the shoulder strap dee assembly in position, on the case. Mark the case, at top of folded leather (B). This is for the slot that will be punched in the case (see shoulder strap option on page 111). If dee overlaps edge of cover, it may be trimmed at line (C). This would be an optional cut.



**14** Now turn the case to the front and put a light mark in the center of the case, approximately in the center of the microphone area.

Also, make a light mark in the center of the case, approximately in the center of the speaker area (here, at the bottom).

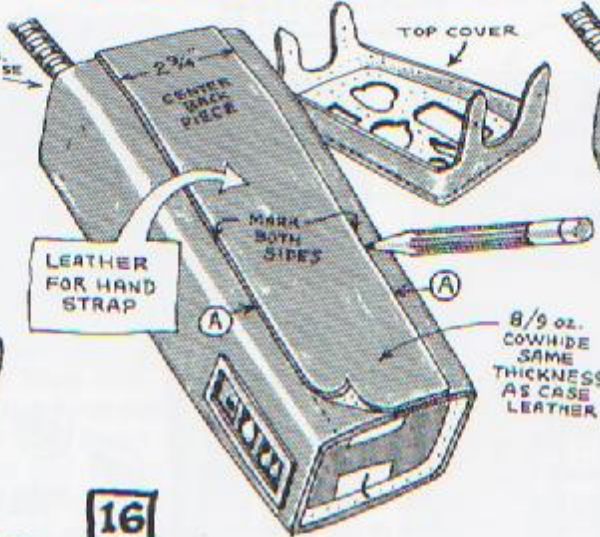
## C.B. CASE - Continued



15

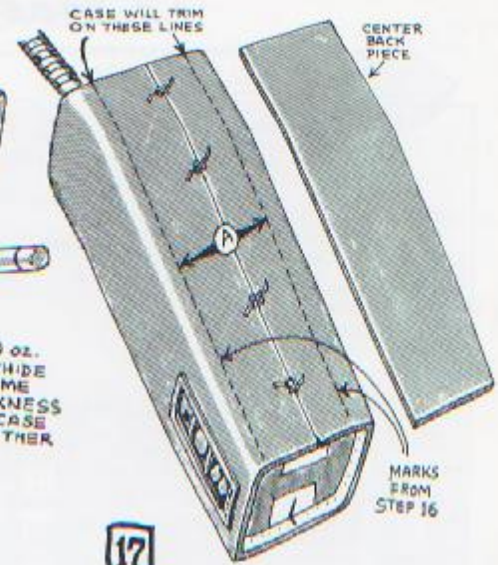
### SPECIAL NOTE:

If the hand strap (on back) and belt loop will not be used, the case will sew together at the butt joint, . . . by gouging sewing channels, and sewing as previously instructed.



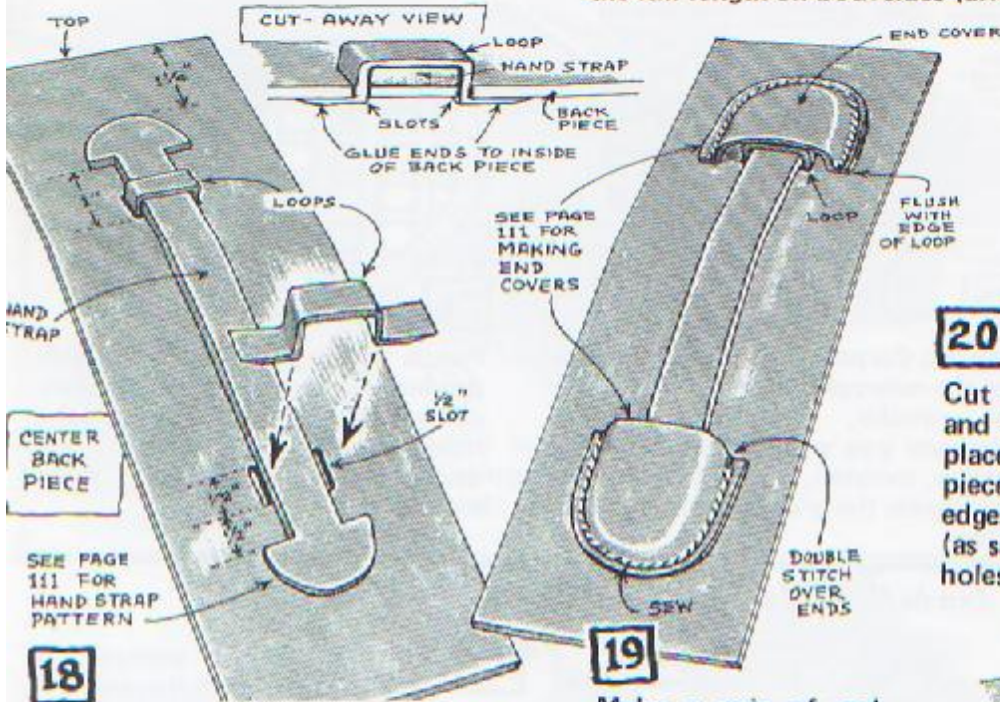
16

If the hand strap is to be used, cut a piece of leather 2 3/4" wide (minimum) and the exact length of the case. Remove top cover and center the leather on the back of the case. Carefully mark the full length on both sides (arrows A).



17

Lines above (arrows A) is where the case leather will be trimmed. The center section (between arrows) will be wasted leather. However, it is still the best procedure for fitting the case leather, even when the center back piece is to be used.

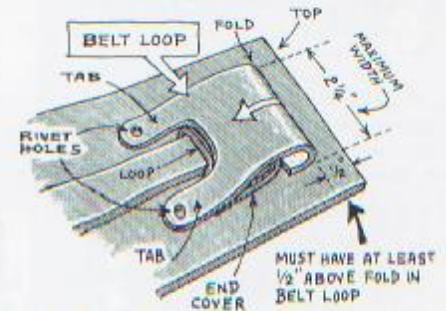


18

Place the hand strap on the back piece (centered) and down about 1 1/4" from the top edge. Study the sketch above. Punch the loop slots (at sides of strap) 1/2" away from the notched edge. When loops are installed, this will allow the hand strap to contract 1" when lifted in the middle. Install the loops (over hand strap) through slots, and cement ends on the bottom side.

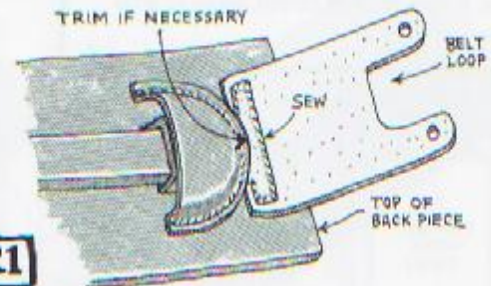
19

Make a pair of end covers and sew in place, as shown above. Open end of cover should be flush with the edge of the loop. Cement, or tack in place to hold while sewing. The stitching will also catch the ends of the loops.



20

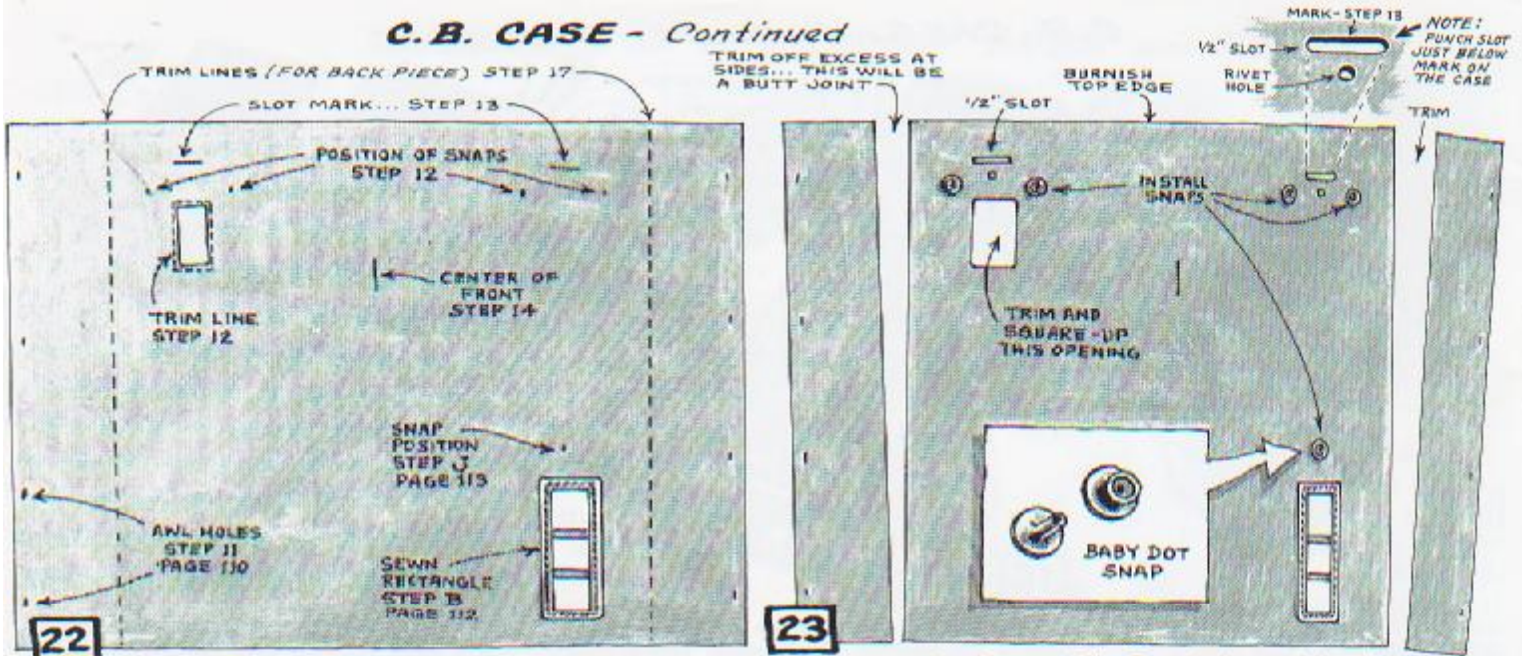
Cut a belt loop from 6 oz. cowhide 2 1/4" wide and 3 1/2" to 4" long. Moisten end, fold under and place against edge of the end cover, at top of back piece. Cut out the area over the hand strap to the edges of the loop and end cover. Leave two tabs (as shown) to straddle the hand strap. Punch rivet holes in ends.



21

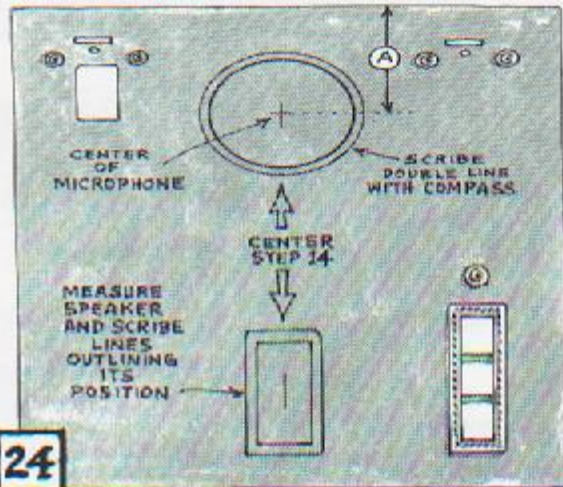
Unfold the belt loop. Trim edge to fit snug against end cover. Sew to back piece as illustrated above. Unit will assemble in this position (page 117). DO NOT rivet tabs to back piece at this time. (continued)

## C.B. CASE - Continued

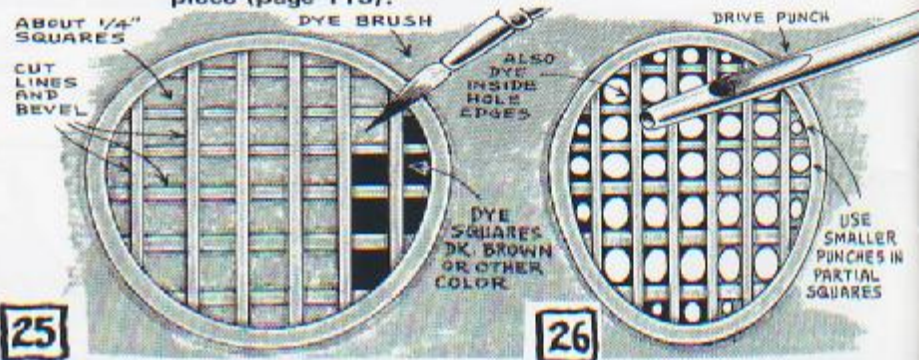


Now cut threads at back of case. Remove the leather, lay out flat, grain side up. Observe all of the marks from previous steps.

Trim opening (step 12). Punch slots and rivet holes for dee assemblies. Install snaps in all locations. Burnish top edge only. Trim off the sides. . .only if you are using the back piece (page 115).



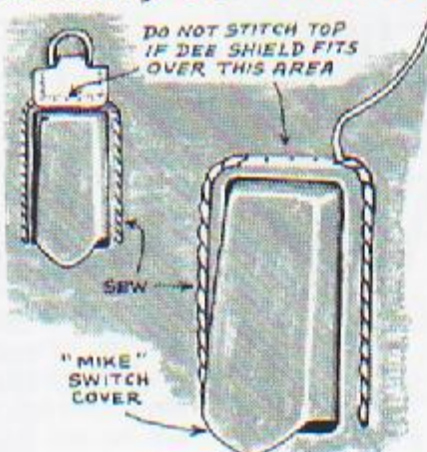
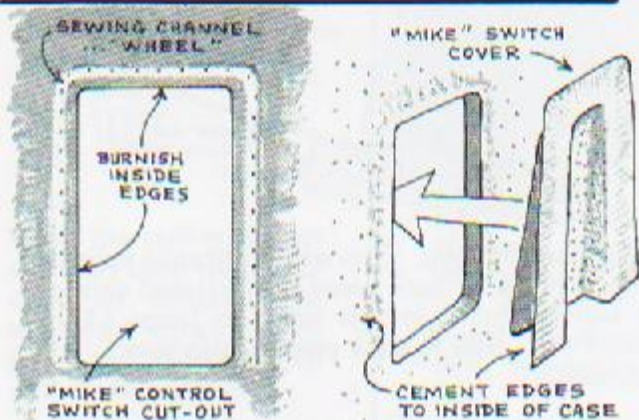
To locate center of microphone, measure down from top of C.B. (arrows A). Scribe a double circle. Measure size of speaker and transfer these lines to the case. If case is to be carved, do so at this time.



Lay out the pattern on paper. Design for the microphone and speaker can be circular, diamond, square, whatever you wish. Transfer to the leather, moisten, cut the lines; bevel. Dye inside the grid for more pleasing effect.

Punch holes inside grid lines with proper size punch, or completely cut out the squares. Dye inside the holes, or cut-outs. A filigreed floral design would look nice in these areas.

### Installing the "MIKE" CONTROL SWITCH COVER



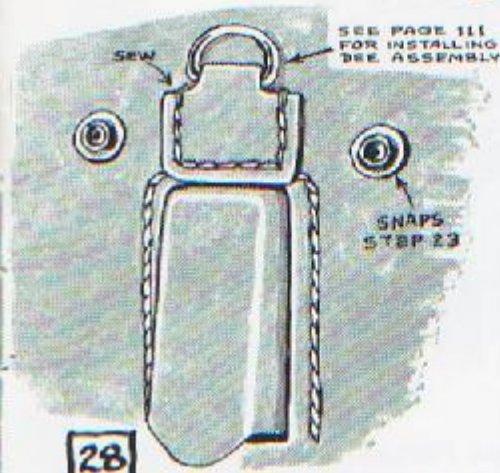
27 Install the "mike" control switch cover, by following the instructions beginning below:

(A)—Gouge sewing channel around sides and top of the opening, on the case.

(B)—Insert cover into opening from inside the case. Cement the edges.

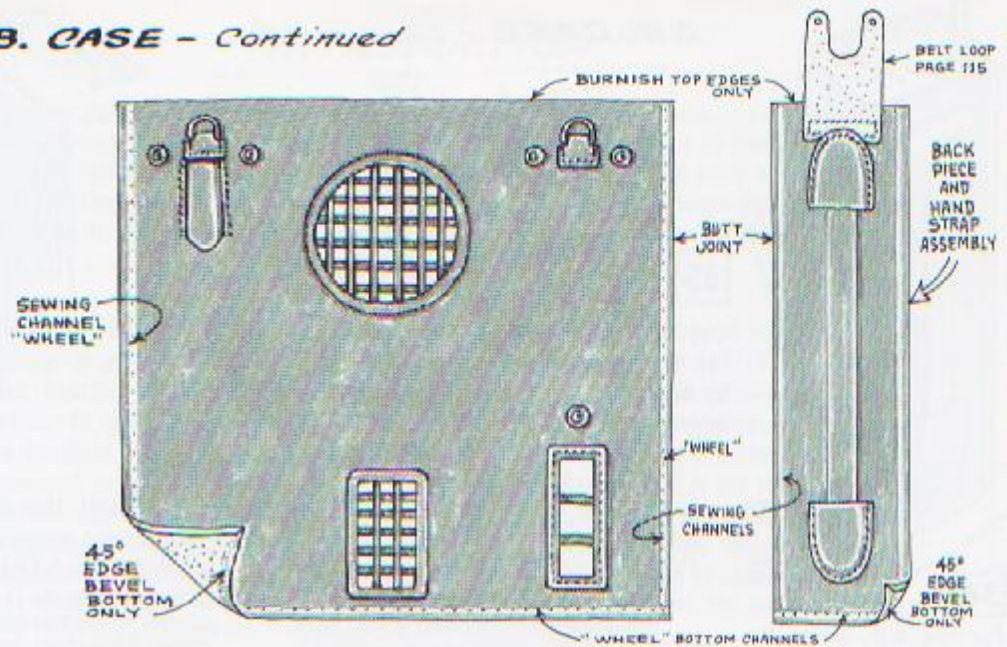
(C)—Sew in place. NOTE: If the lower edge of the dee shield fits as shown at left, do not sew across the top. . .as the shield stitching will catch this area (shown in step 28).

C.B. CASE - Continued



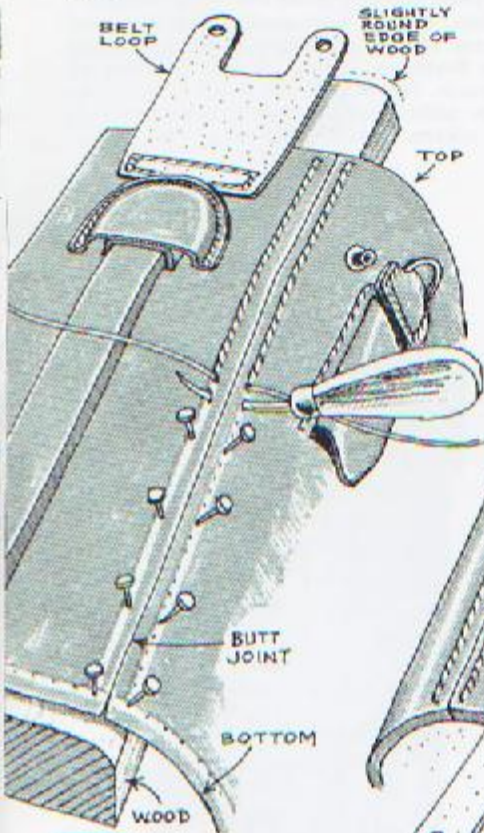
28

Install the shoulder strap dee assemblies to both sides. See page 111 for installing procedure.



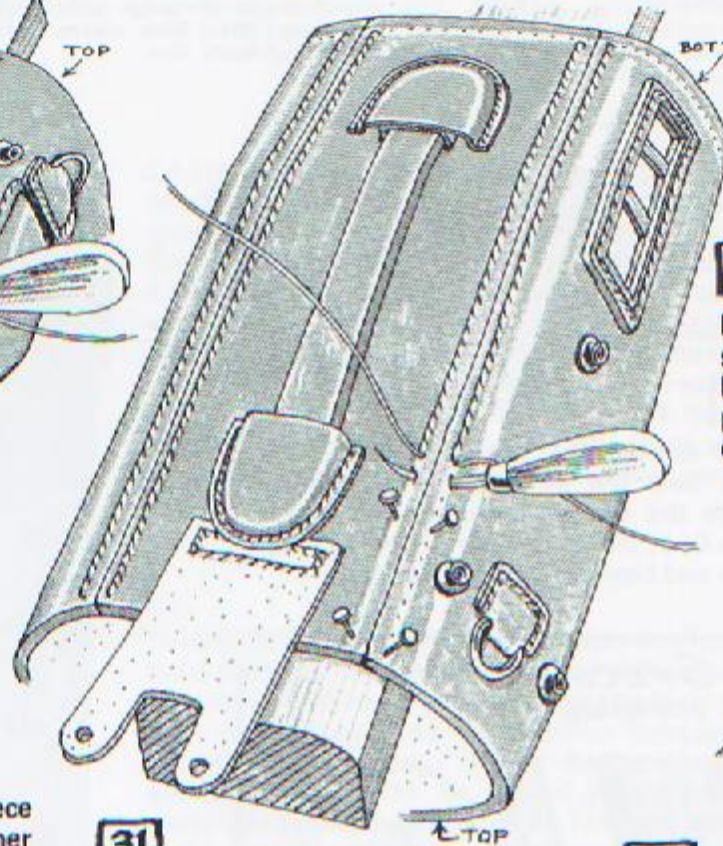
29

Now, gouge sewing channels at sides and bottoms of the case and the back piece. "Wheel" for sewing (see above). Burnish top edges. Bevel bottoms (flesh side) for the miter joint.



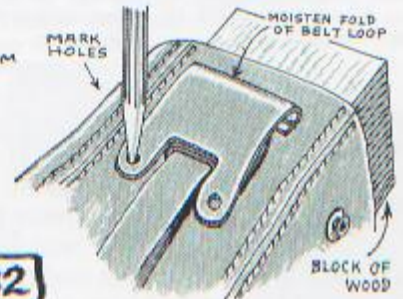
30

Tack edges of back piece and side of case together on the edge of a stick of wood (as above). Stick should actually be long, so the lower end can be steadied between your legs. The top can rest on bench or table. Tack on rounded edge, as this will make sewing easier. Sew down to bottom channel; backstitch, cut off threads.



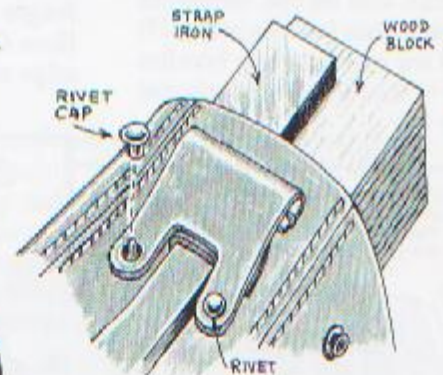
31

Turn project around, tack the opposite edges to the board, and sew from the bottom channel to the top. Backstitch one hole; cut off threads. Tap both sewn joints with a hammer. Moisten and rub with bone folder, to remove any marks left by the awl.



32

Place a block of wood inside case. Wood should almost fill up case. Moisten top of belt loop, fold over and mark rivet hole positions on the case. Punch holes through case, into wood block.

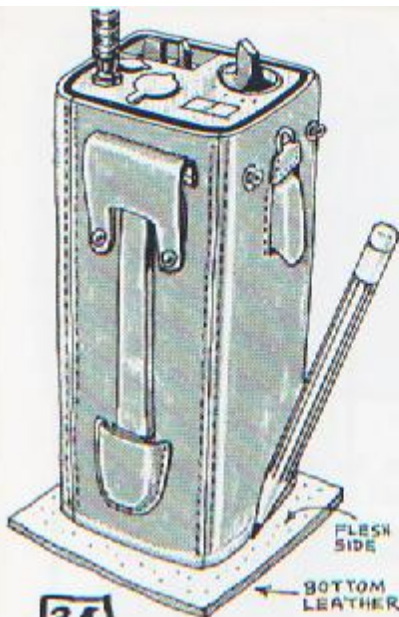


33

Insert rivet posts from inside case. Replace block of wood and insert a length of iron on top of the wood, to act as a riveting surface. Rivet the belt loop tabs to the case.

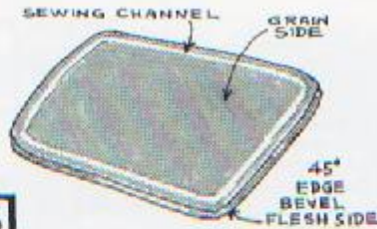
NOTE: Had the belt loop been riveted before sewing side seams, it would have been in the way of the sewing needles. (continued)

**C.B. CASE - Continued**



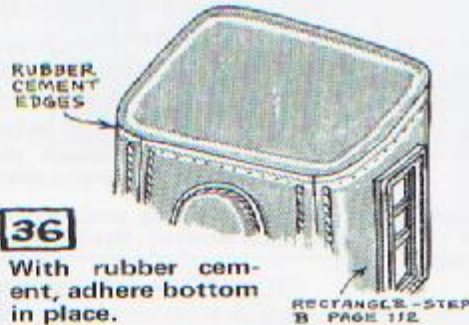
**34**

Put the C.B. inside the case. Trace around the bottom to a piece of cowhide, (the thickness of which was allotted for in step 10 on page 110) to make the bottom.



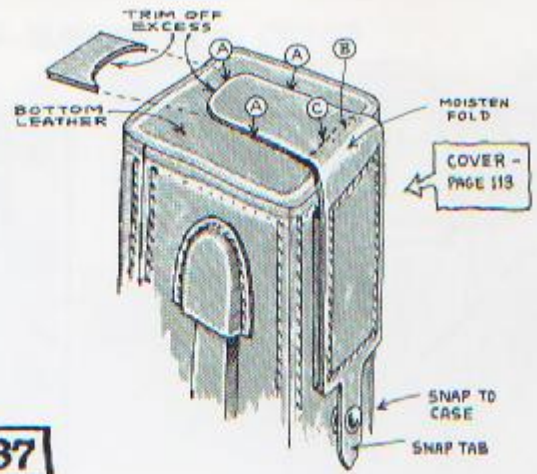
**35**

Cut out the bottom leather. Check for fit; gouge sewing channel. Turn to flesh side and bevel around the edge for a miter joint.



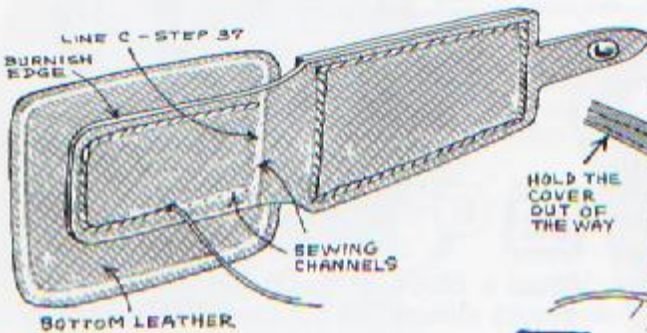
**36**

With rubber cement, adhere bottom in place.



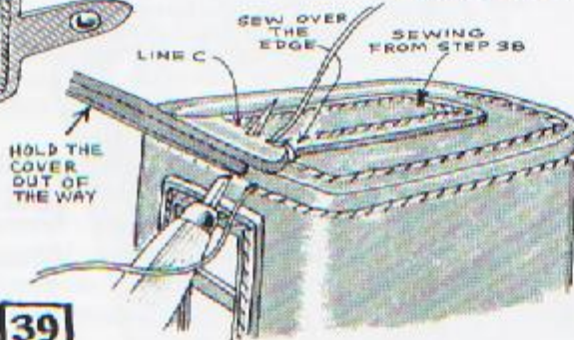
**37**

To install the Rigid Fixture Cover (page 113) follow these steps: Fit cover over rectangle on side of case (page 112) and push toward the snap, on the case, as far as it will go. Locate position, and install snap cap to tab. Place back in position, snap to case. Moisten fold, pull tightly over bottom leather. Mark; trim off excess. Re-fit and scribe around end at arrows (A). Arrow (B) is position directly above the channel in the bottom piece. Mark leather at (C) about 1/16" back from (B). Reason: Stitches must angle through side and bottom, coming out on line (C). The extra thickness must be compensated for.



**38**

Remove cover, gouge sewing channels as indicated above. Burnish edge. Now remove the bottom from the case. Cement the cover in place (position in step 37) and sew around the edge from line (C) to line (C). Do not sew channel line (C).

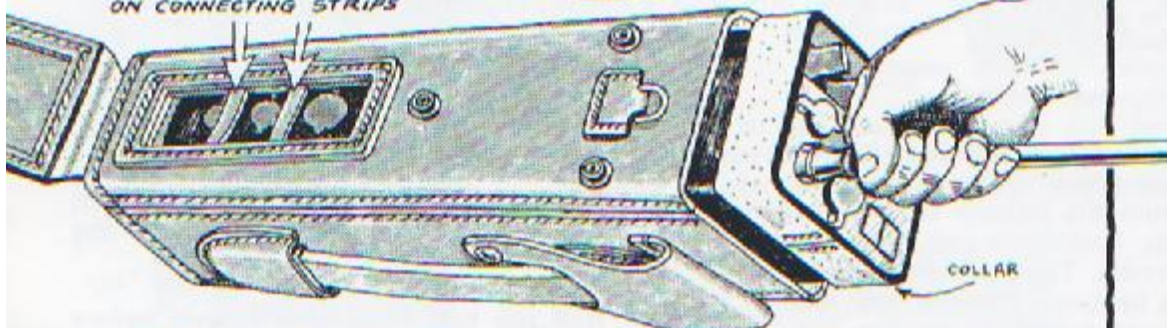


**39**

Now cement the bottom back in the case. Sew the miter joint all around. Angle the awl to come out in channel (line C) in the hinge piece. After sewing, edge and burnish the miter joint.

**CAUTION:** WHEN REMOVING C.B. FROM CASE, CHECK TO SEE THAT FIXTURES DO NOT CATCH ON CONNECTING STRIPS

**SPECIAL NOTE:**  
REMOVING THE C. B.



**40**

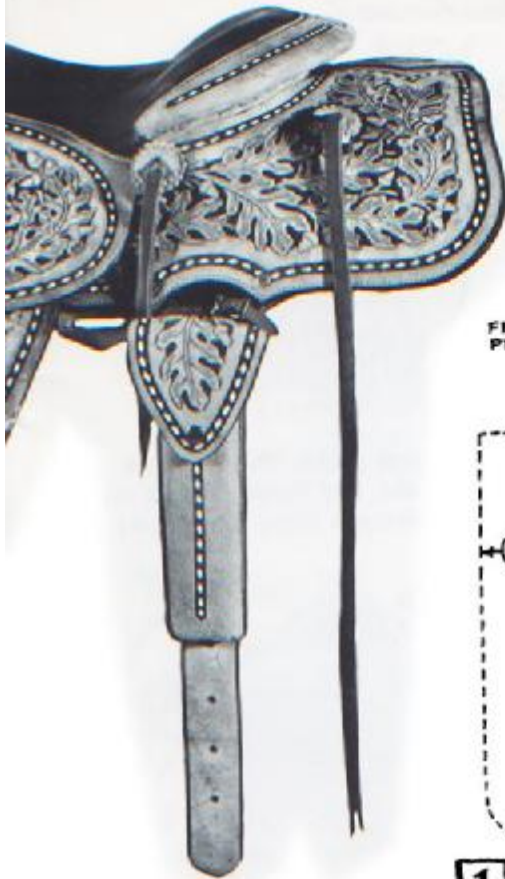
Fit top cover over antenna, and snap in place. Case is complete.

If the case is a tight fit, you may have to pull on the antenna to remove the C.B. (for battery replacement, etc.). The collar must come out with the C.B., or come out of the case before the C.B. can be completely withdrawn.

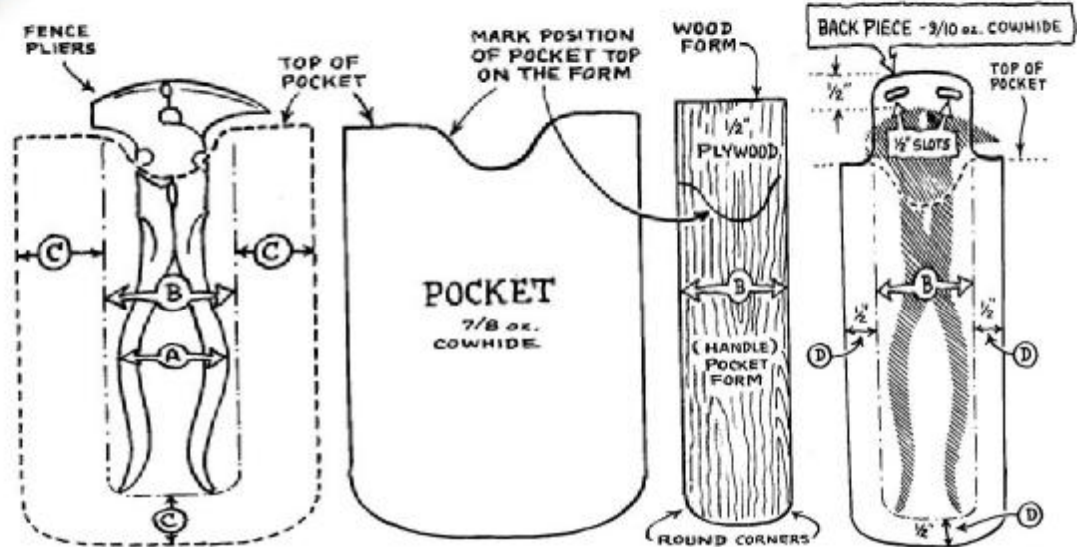




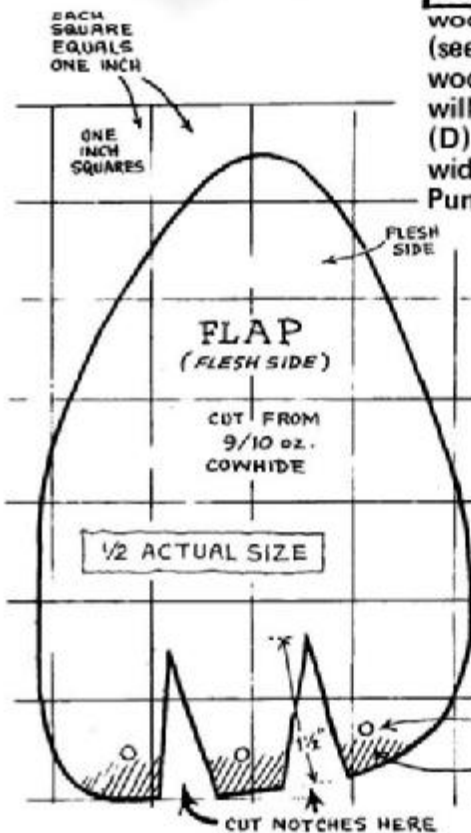
## FENCE PLIERS CASE



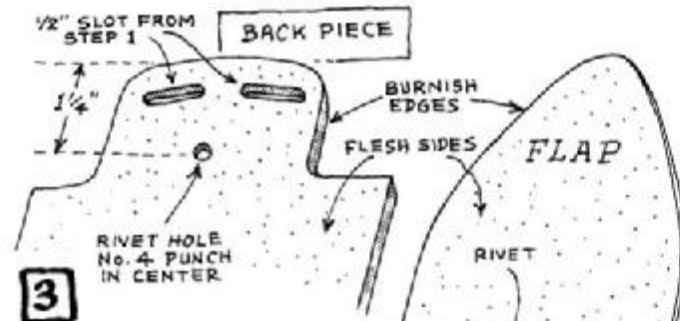
This case was designed to be carried on the flank cincha billet of the saddle, but can be carried on the belt as well. You'll note the slight curve, at the top fold of the flap, to give the case added style and a better fit. This same technique can be applied to similar cases. This case was carved "rough-out", to match the saddle, with recessed border to protect the buckstitching. All fence pliers are not of the same size or shape, so cutting patterns cannot be presented. Follow the instructions below to make the case for any brand of fence pliers.



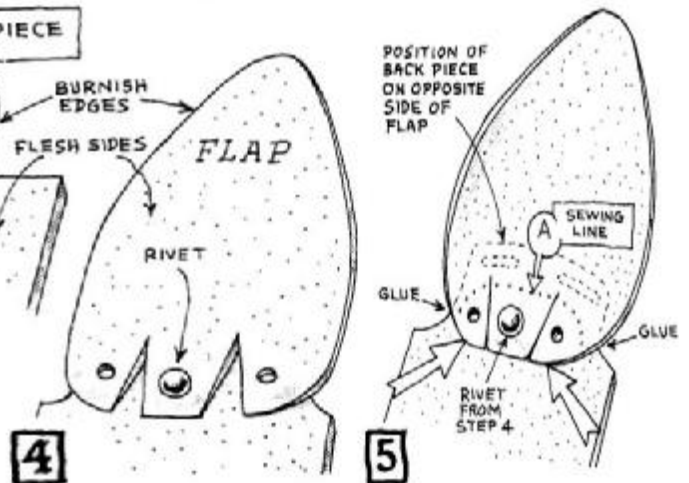
**1** MAKING THE PATTERN. . . follows the basic procedures introduced on page 19: Arrows (A) indicate widest part of handles. Arrows (B) indicate the width of the wood form; wider than handles. Arrows (C) indicate extra width to cut pocket pattern (see our "rule-of-thumb", page 19). Cut out the pocket and "case" the leather. Make the wood form for the handle. Most pliers handles are no thicker than  $\frac{1}{2}$ " so  $\frac{1}{2}$ " plywood will generally do. Cut the back piece from 9-10 oz. cowhide, as suggested above. Arrows (D) indicate the back piece should be about  $\frac{1}{2}$ " larger than wood form. Cut it to the width of the form, from pocket upwards. Cut it  $\frac{1}{2}$ " longer than the top of the pliers. Punch two  $\frac{1}{2}$ " slots in the top, as shown. Study all of the notations on the sketches above.



**2** To make the flap pattern, draw 1" squares on a sheet of paper, and draw in the lines, hole positions, etc., by copying from the half size pattern above. Transfer to 9-10 oz. leather, ON FLESH SIDE, and cut out. Skive the edges indicated and punch holes in their proper locations. The flap pattern should be applicable for most fence pliers.



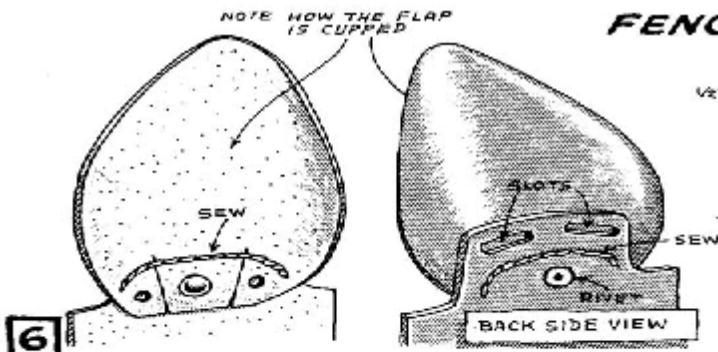
**3** Turn back piece to flesh side up, and punch a rivet hole as shown above.



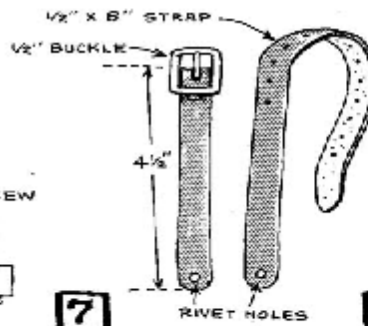
**4** Rivet the center flap tab to the hole in the back piece.

**5** Fold the side tabs in so they are flush with the edges of the center tab, and glue to the back in this position. DO NOT RIVET THE OTHER TWO HOLES! Mark a sewing line (A) around the tabs, and "wheel". This line must not be closer than  $\frac{1}{4}$ " to the slots in the back piece. (continued)

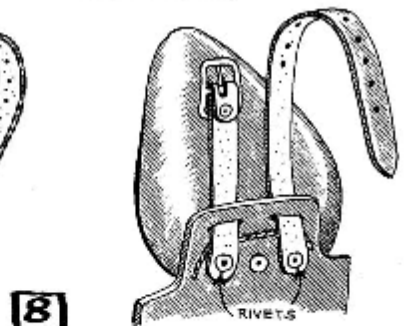
## FENCE PLIERS CASE - Continued



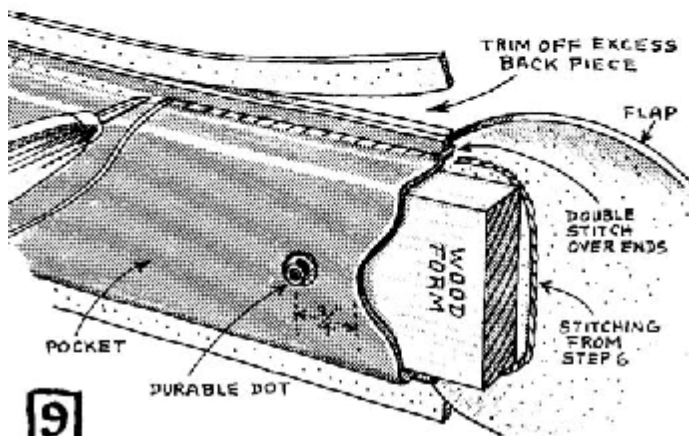
**6** From step 5, you'll note how the flap is now "cupped". Sew the flap to the back piece. The stitching must come out below the slots, as shown above.



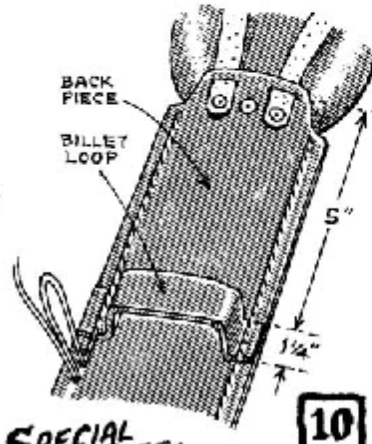
**7** Make two straps of 4 oz. leather as shown above.



**8** Punch the rivet holes through the two outside flap tabs, and through back piece. Push straps through slots (as above) and rivet ends.



**9** Shape the "cased" pocket leather over the wood form, tack and allow to dry. Prepare the pocket for assembly exactly as in step 9 on page 20. Install snap in center. Place back on wood form and cement pocket edges to the back piece in proper location. Sew all around the pocket, trim off excess back leather and burnish edges.



### SPECIAL NOTE:

If you wish the saddle attachment, be sure to include the billet loop on back side, before sewing, in step 9. See page 55.

**10** After sewing and trimming, remove wood form. Moisten the top of the flap, insert pliers in case, pull flap down snug. . forcing curve in top. Locate position of snap, from pocket, punch hole in flap and install snap. Case is complete. See page 55 for attaching case to saddle. To wear on belt, fold straps around belt and buckle as with the saddle.

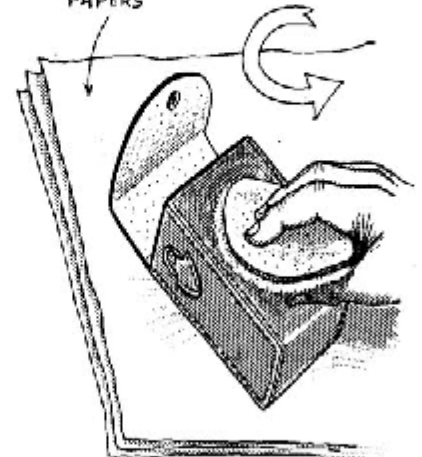
## OILING Leather Cases

When casing leather, and forming the pockets for cases, some of the natural and tanning oils have been lost. This can be replaced with Pure Neatsfoot Oil, or Neatsfoot Compound. Either one can be used. The Compound is less expensive than the pure oil.

**CAUTION.** . . must be used with these oils! Neatsfoot is very penetrating, and too much (saturated) will actually do the leather more harm than good. . . and will penetrate to the inside of the case and possibly damage the encased article.

Use it sparingly. Apply with a 1/4" wool applicator in a circular motion. Oil only the outside of the case. At first, it will appear blotchy. . . but within 24 hours will blend into even, golden hue. Then use a leather finisher such as Tan Kote, Super Shene, Acrylic, or other finish of your choice. This will add beauty and years of life to your cases.

HEAVY PAPERS



APPLY THE OIL IN A CIRCULAR MOTION... MOVING QUICKLY AND SPREADING THE OIL AS EVENLY AS POSSIBLE.



# INDEX

BELOW: GENERAL INDEX

|   |                 |
|---|-----------------|
| BELT LOOPS - making; installing . . . . .     | 13              |
| BEVELING - for miter joints . . . . .         | 31              |
| BILLETS - attaching . . . . .                 | 8               |
| BUCKLES - attaching . . . . .                 | 8               |
| BURNISHING EDGES . . . . .                    | 12              |
| BUTT JOINT - fitting for . . . . .            | 90              |
| <br>  |                 |
| "CASING" LEATHER - moisture content . . . . . | 3               |
| <br>  |                 |
| DEES - attaching . . . . .                    | 6               |
| DIVIDERS - for cartridge case . . . . .       | 37              |
| <br>  |                 |
| FINISHING - oiling cases . . . . .            | 120             |
| FOLDS - how to gouge . . . . .                | 89              |
| FORMS - wooden; making . . . . .              | 12              |
| FORMS - wooden; mandrils . . . . .            | 90              |
| <br>  |                 |
| GOUGING - for folds . . . . .                 | 89              |
| <br>  |                 |
| LEATHER - weights; thickness . . . . .        | 3               |
| LOOPS - making; installing . . . . .          | 4               |
| LOOPS - slide . . . . .                       | 9               |
| <br>  |                 |
| MITER JOINT - how to bevel . . . . .          | 31              |
| <br>  |                 |
| OILING CASES - finishing . . . . .            | 120             |
| <br>  |                 |
| RAWHIDE - for re-enforcing . . . . .          | 6               |
| RIVETS - how to make (copper) . . . . .       | 21              |
| RIVETS - doming (copper) . . . . .            | 10              |
| RIVETS - how to set . . . . .                 | 10              |
| <br>  |                 |
| SADDLE STRAPS . . . . .                       | 55-57-77-99-101 |
| SEWING - inside cases . . . . .               | 89              |
| SEWING - starting knotted threads . . . . .   | 89              |
| SHOULDER STRAP . . . . .                      | 62              |
| SLOTS - punching; cutting . . . . .           | 4               |
| SLOTS - skiving; reducing bulk . . . . .      | 4               |
| SNAPS - at inaccessible areas . . . . .       | 11              |
| SNAPS - how to set . . . . .                  | 11              |
| STRAP - shoulder . . . . .                    | 62              |
| STRAPS - containing methods . . . . .         | 4               |
| <br>  |                 |
| TACKS - as sewing aids . . . . .              | 3               |
| <br>  |                 |
| WOODEN FORMS - making . . . . .               | 12              |
| WOODEN FORMS - binoculars . . . . .           | 81              |
| WOODEN FORMS - removing . . . . .             | 37              |
| WRONG - attaching methods . . . . .           | 9               |

BELOW: INDEX FOR CASES

|  |          |
|--|----------|
| BINOCULARS . . . . .                     | 81 to 88 |
| <br>                                     |          |
| CAMERA - instamatic 608 . . . . .        | 60       |
| CAMERA - instamatic 404 . . . . .        | 63       |
| CAMERA - instamatic 500 . . . . .        | 66       |
| CAMERA - M-5 Leica . . . . .             | 72       |
| CAMERA - Kodak EK 6 . . . . .            | 78       |
| CAMERA - saddle attaching . . . . .      | 76       |
| CARDS, PLAYING . . . . .                 | 38       |
| CARTRIDGE - double flap-pistol . . . . . | 23       |
| CARTRIDGE - drop pouch-pistol . . . . .  | 24       |
| CARTRIDGE - two level-rifle . . . . .    | 25       |
| CARTRIDGE - bottom drop-rifle . . . . .  | 26       |
| CARTRIDGE - 10 shell-rifle . . . . .     | 27       |
| CARTRIDGE - magazine box-rifle . . . . . | 28       |
| C.B. - citizens band . . . . .           | 108      |
| CHECKBOOK . . . . .                      | 50       |
| CIGAR . . . . .                          | 39       |
| CIGARETTE . . . . .                      | 40       |
| <br>                                     |          |
| DICE CUP . . . . .                       | 90       |
| <br>                                     |          |
| EYE GLASSES . . . . .                    | 46       |
| <br>                                     |          |
| FENCING PLIERS . . . . .                 | 119      |
| FILM CARTRIDGE . . . . .                 | 70       |
| FILM & FLIP-FLASH . . . . .              | 62       |
| FISHING "FLY" . . . . .                  | 106      |
| FISHING REEL - fresh water . . . . .     | 102      |
| FISHING REEL - salt water . . . . .      | 103      |
| FISHING ROD . . . . .                    | 100      |
| FLASH CUBE . . . . .                     | 70       |
| FLASHLIGHT . . . . .                     | 45       |
| <br>                                     |          |
| HAND-AXE . . . . .                       | 54       |
| HATCHET . . . . .                        | 52       |
| <br>                                     |          |
| ID - identification . . . . .            | 36       |
| <br>                                     |          |
| KNIFE - pocket . . . . .                 | 14       |
| KNIFE - hunting . . . . .                | 16       |
| KNIFE - folding . . . . .                | 19       |
| <br>                                     |          |
| LENS - camera . . . . .                  | 71       |
| <br>                                     |          |
| PLAYING CARDS . . . . .                  | 38       |
| PLIERS - utility . . . . .               | 22       |
| PLIERS - fencing . . . . .               | 119      |
| <br>                                     |          |
| SAW - folding-camp . . . . .             | 56       |
| SECRETARY - traveling . . . . .          | 48       |
| SHOTGUN SHELL - single box . . . . .     | 30       |
| SHOTGUN SHELL - four box . . . . .       | 32       |
| SIGHT - telescope-rifle . . . . .        | 92       |
| SNUFF BOX . . . . .                      | 42-44    |
| <br>                                     |          |
| THERMOS BOTTLE . . . . .                 | 93       |
| TOOLS - leather stamping . . . . .       | 58       |

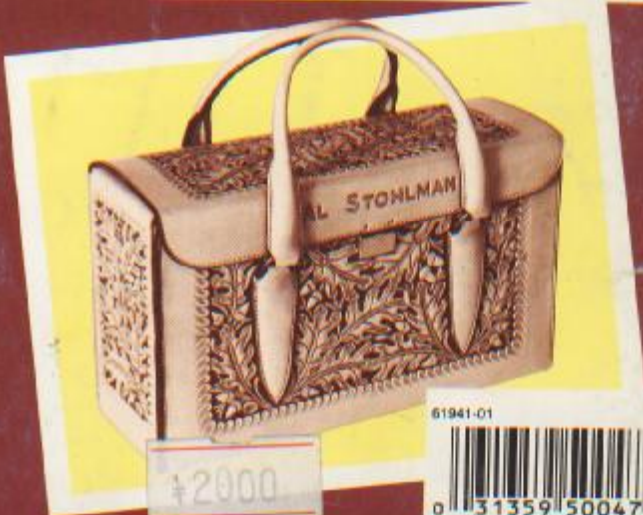
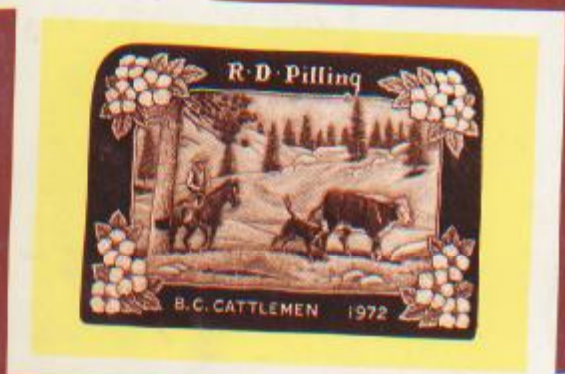
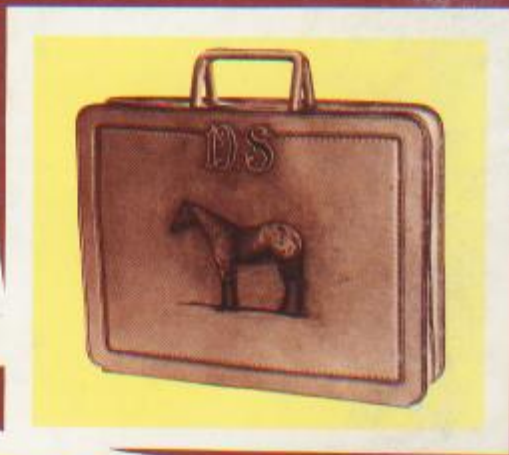
SEE BACK COVER FOR SOME  
OF THE LEATHER CASES TO  
BE FEATURED IN VOLUME II

The ART of  
*Making*  
**LEATHER CASES**

A FEW OF THE LEATHER CASES  
TO BE FEATURED IN VOLUME II

Volume II

by  
**AL STOHLMAN**



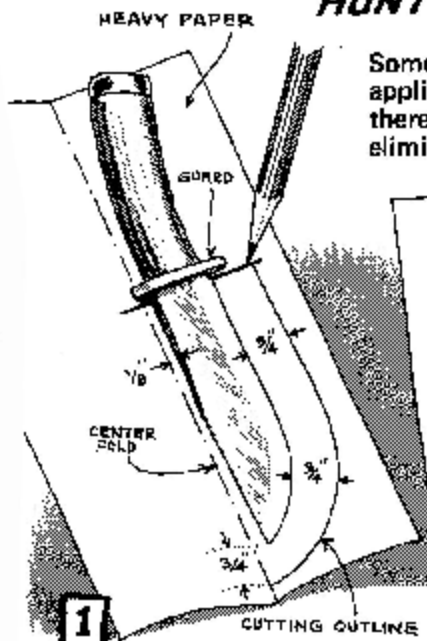
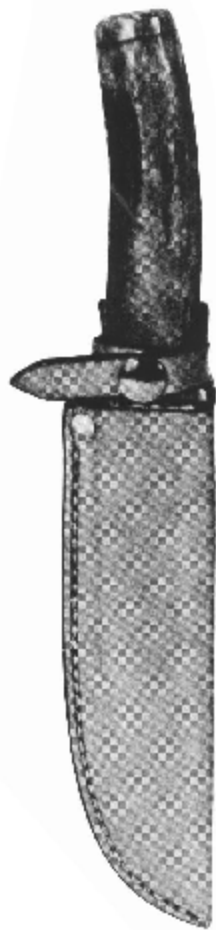
\$2000

61941-01

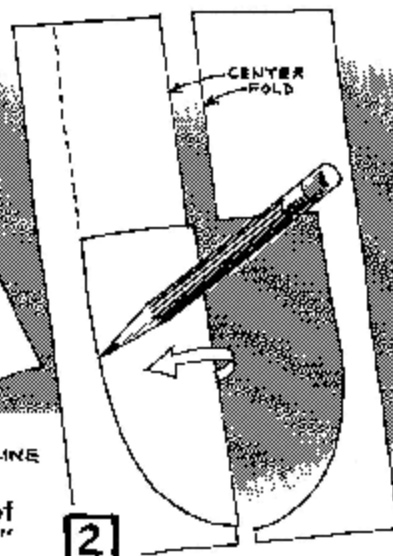


## HUNTING KNIFE CASES

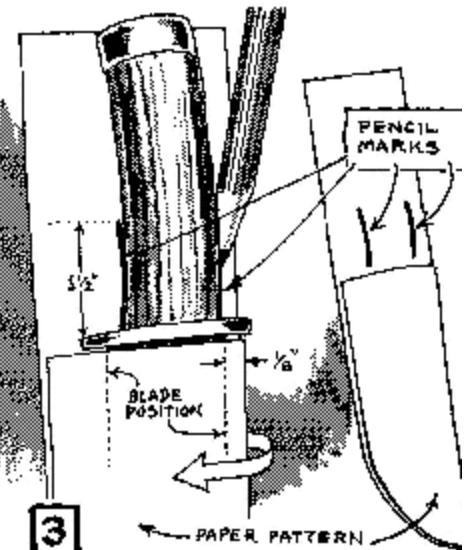
Some of the same procedures, used in the pocket knife case, can be applied to making patterns for the hunting knife cases. However, since there is relatively little thickness to the blade, step 1 on page 14 can be eliminated.



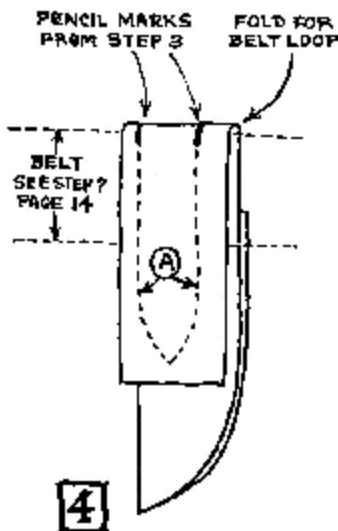
**1** Fold and crease a piece of paper. Lay knife about 1/8" away from center fold, as shown. Pencil a mark under the guard, on both sides of blade. Draw a line, paralleling blade, 3/8" away. . . this will be the pattern cut-line.



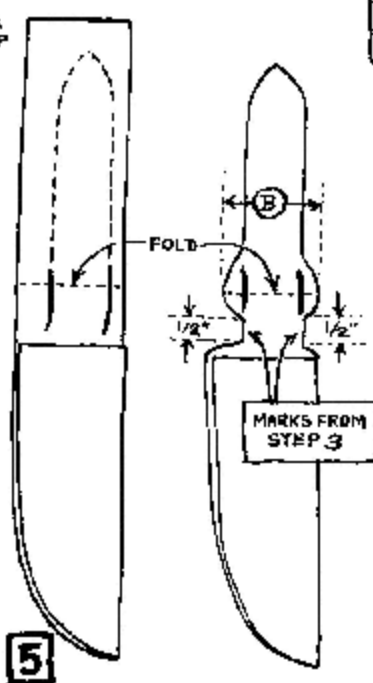
**2** Cut out pattern and at center fold, as shown. Fold over and trace around the edge to the lower paper. Cut out the pattern, straight up on broken line.



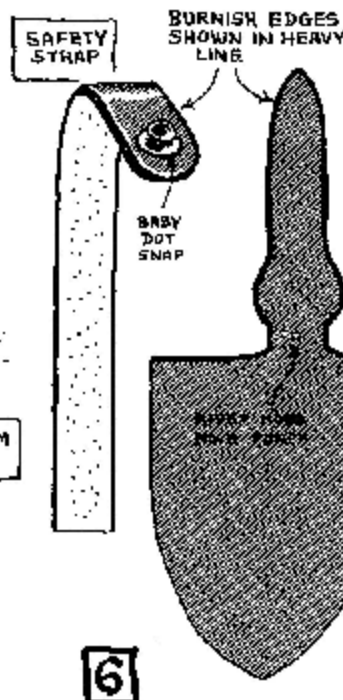
**3** Place knife blade in pattern. Blade should be at least 1/8" away from center fold, as leather takes up more than paper at folds. Pencil a mark on each side of the handle, as indicated above.



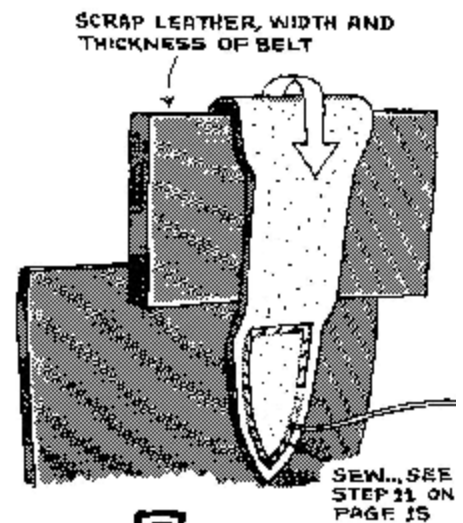
**4** Remove the knife. Fold pattern over to form the belt loop. Pencil marks should show at top. Draw down from these (A) to form the belt loop. See page 13 for belt loop suggestions.



**5** Unfold the loop; pattern should resemble sketch at left. Cut pattern in, to handle marks (as shown). Pattern can be widened (B) at fold to give more belt support if desired.



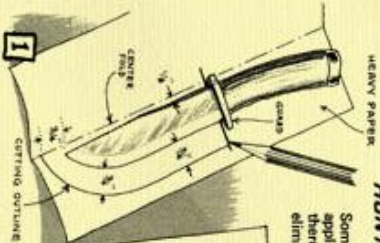
**6** Cut the case from 6-7 oz. cowhide. Punch a rivet hole (centered) as shown above. Cut a safety strap from 6 oz. cowhide, 1/2" wide and about 6" long. Install snap in one end. Burnish edges.



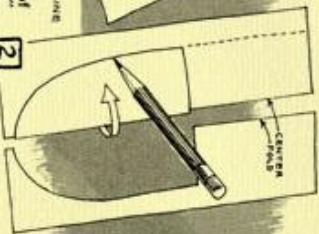
**7** Moisten the loop area at fold, and fold over a scrap of leather. Gouge sewing channels, and sew to case.

## HUNTING KNIFE CASES

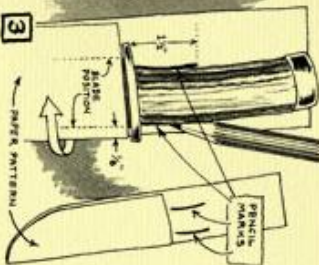
Some of the same procedures, used in the pocket knife case, can be applied to making patterns for the hunting knife cases. However, since there is relatively little thickness to the blade, step 1 on page 14 can be eliminated.



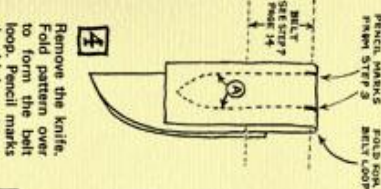
**1** Fold and crease a piece of paper. Lay knife about 1/8" away from center fold, as shown. Pencil a mark under the guard, on both sides of blade. Draw a line, parallel to blade, 3/8" away. This will be the pattern cut-line.



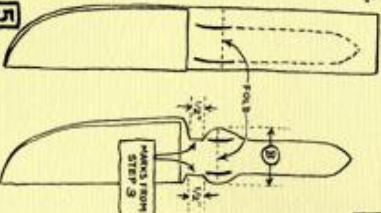
**2** Cut out pattern and at center fold, as shown. Fold over and trace around the edge to the lower paper. Cut out the pattern, straight up on the broken line.



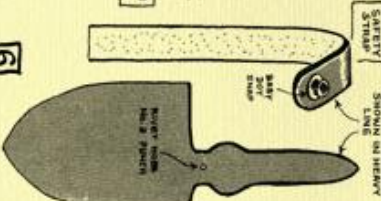
**3** Place knife blade in pattern. Blade should be at least 1/8" away from center fold, as leather makes up more than paper at folds. Pencil a mark on each side of the handle, as indicated above.



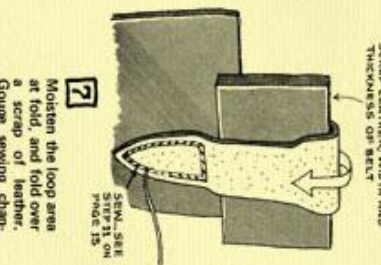
**4** Remove the knife. Fold pattern over to form the belt loop. Pencil marks should show at top. Draw down from the belt loop. See page 13 for belt loop suggestions.



**5** Unfold the loop; pattern should resemble sketch at left. Cut pattern in, to handle marks as shown. Pattern can be widened (B) at fold to give more belt support if desired.

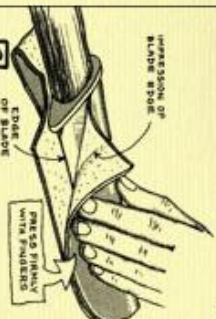


**6** Cut the case from 6, 7 oz. cowhide. Punch a rivet hole (centered) as shown above. Cut a safety strap from 6 oz. cowhide, 3/8" wide and about 6" long. Install snap in one end. Burnish edges.

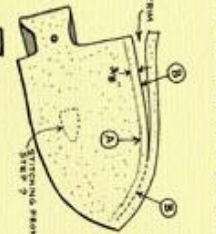


**7** Moisten the loop area at fold, and fold over a scrap of leather. Gouge sewing channels, and sew to case.

## HUNTING KNIFE CASES - Continued



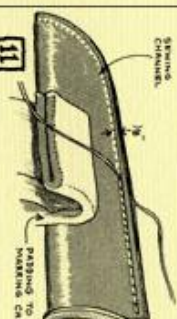
**8** Moisten the case, especially well on the flesh side (inside). Fold over knife, against top of blade. Hold in position and firmly press top leather all along blade edge. This will leave its impression on the flesh side of the leather.



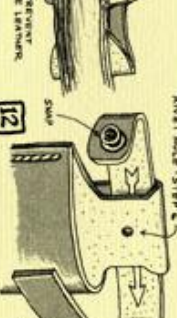
**9** Unfold the case, note the impression (A) of the blade edge. Scribe a parallel mark (B) 3/8" outside the impression. Trim excess leather off on this line. We want the stitching at least 3/8" from blade.



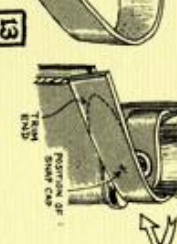
**10** Once again, fold leather over knife. Cement the two edges together and trim off the excess.



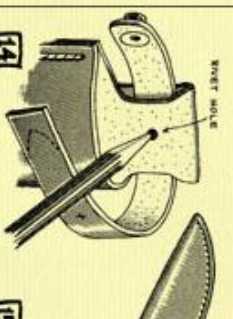
**11** Gouge a sewing channel 1/8" from edge (see step 13, page 15) on front and back sides. Use No. 6 overcutter and "whisker". Place in stitching hole, with knife inside, and sew. Burnish the edge.



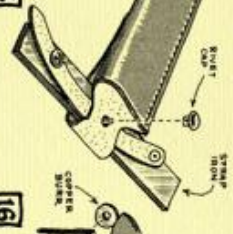
**12** Pull the safety strap (from step 6) inside the belt loop, as shown.



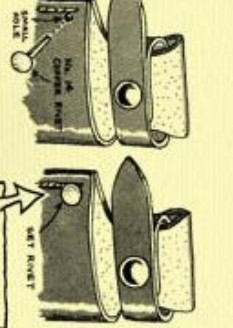
**13** Place knife in case and pull safety strap tightly around the handle. Mark snap position, and the trim for the end.



**14** Carefully unfold strap and remove knife. Do not allow strap to move, and mark strap through rivet hole. Remove strap and punch a rivet hole in it. Point the strap end and burnish the edges.



**15** Install the snap cap. Put safety strap back inside loop, align holes, and insert a rivet post of proper length. Slip a metal riveting piece under strap, and inside belt loop, as shown above. Rivet the safety strap.

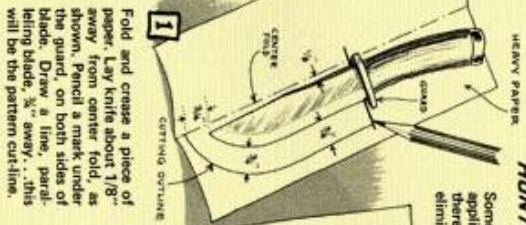


**16** Now punch a small hole just inside the stitches, as shown. Install a small copper rivet, and rivet in place. The purpose of this rivet is to protect the stitches from the blade. Being copper, the rivet will not damage the blade.

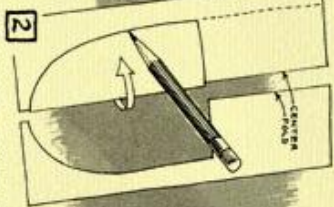
**SPECIAL NOTE:**  
IF SMALL RIVETS ARE NOT MADE BY YOU, MAKE YOUR OWN!  
SEE PAGE 21 FOR DETAILS

### HUNTING KNIFE CASES

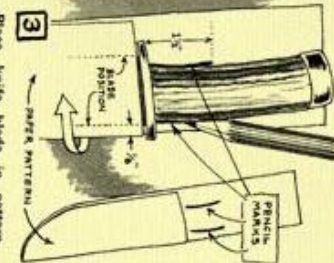
Some of the same procedures, used in the pocket knife case, can be applied to making patterns for the hunting knife cases. However, since there is relatively little thickness to the blade, step 1 on page 14 can be eliminated.



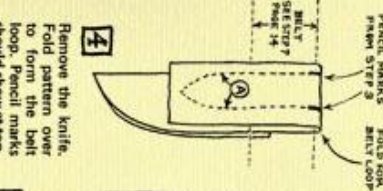
**1** Fold and crease a piece of paper. Lay knife about 1/8" away from center fold, as shown. Pencil a mark under the guard, on both sides of blade. Draw a line, parallel to blade, 3/8" away. This will be the pattern cut-line.



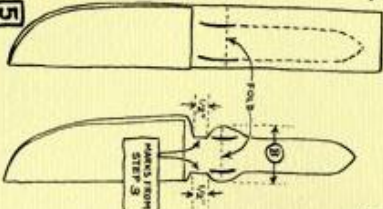
**2** Cut out pattern and at center fold, as shown. Fold over and trace around the edge to the lower paper. Cut out the pattern, straight up on the broken line.



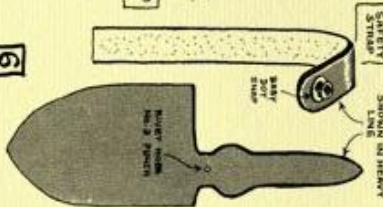
**3** Place knife blade in pattern. Blade should be at least 1/8" away from center fold, as leather makes up more than paper at folds. Pencil a mark on each side of the handle, as indicated above.



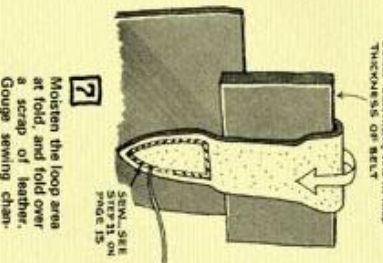
**4** Remove the knife. Fold pattern over to form the belt loop. Pencil marks should show at top. Draw down from the belt loop. See page 13 for belt loop suggestions.



**5** Unfold the loop; pattern should resemble sketch at left. Cut pattern in, to handle marks (as shown). Pattern can be widened (B) at fold to give more belt support if desired.

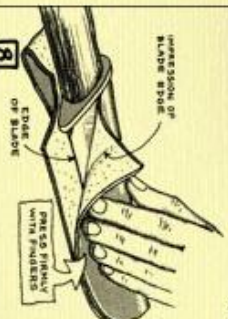


**6** Cut the case from 6, 7 oz. cowhide. Punch a rivet hole (centered) as shown above. Cut a safety strap from 6 oz. cowhide, 3/4" wide and about 6" long. Install snap in one end. Burnish edges.

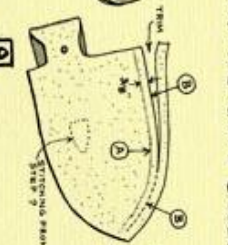


**7** Moisten the loop area at fold, and fold over a scrap of leather. Group sewing channels, and sew to case.

### HUNTING KNIFE CASES - Continued



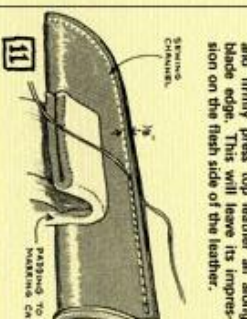
**8** Moisten the case, especially well on the flesh side (inside). Fold over knife, against top of blade. Hold in position and firmly press top leather all along blade edge. This will leave its impression on the flesh side of the leather.



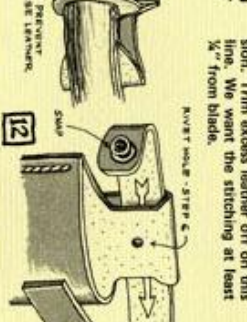
**9** Unfold the case, note the impression (A) of the blade edge. Scribe a parallel mark (B) 3/8" outside the impression. Trim excess leather off on this line. We want the stitching at least 3/8" from blade.



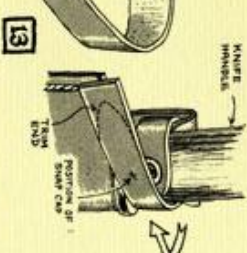
**10** Once again, fold leather over knife. Cement the two edges together and trim off the excess.



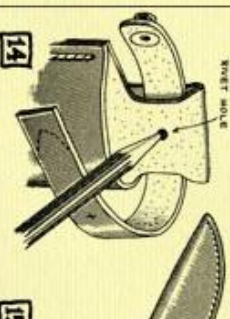
**11** Gouge a channel 1/8" from edge (see step 13, page 15) on front and back sides. Use No. 6 overstitch and "wheel". Place in stitching holes, with knife inside, and sew. Burnish the edge.



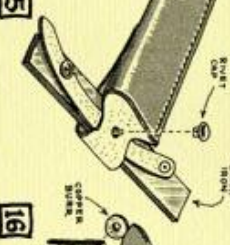
**12** Pull the safety strap (from step 6) inside the belt loop, as shown.



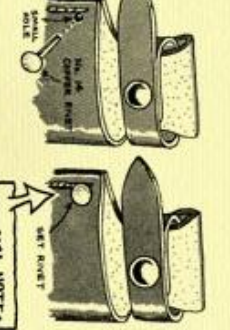
**13** Place knife in case and pull safety strap tightly around the handle. Mark snap position, and the trim for the end.



**14** Carefully unfold strap and remove knife. Do not allow strap to move. . . and mark strap through rivet hole. Remove strap and punch a rivet hole in it. Point the strap end and burnish the edges.



**15** Install the snap cap. Put safety strap back inside loop, align holes, and insert a rivet post of proper length. Slip a metal riveting piece under strap, and inside belt loop, as shown above. Rivet the safety strap.



**16** Now punch a small hole just inside the stitches, as shown. Install a small copper rivet, and rivet in place. The purpose of this rivet is to protect the stitches from the blade. Being copper, the rivet will not damage the blade.

**SPECIAL NOTE:**  
IF SMALL RIVETS AVAILABLE, MAKE YOUR OWN. SEE PAGE 21 FOR DETAILS.